

CUSTOMER PRINT

PART NUMBER: 5180-XPG-5XX

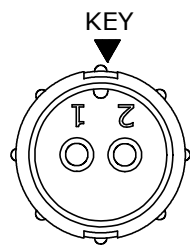
NOTES:

1. ALL PARTS TO BE BULK PACKED
2. CONTACTS SHIPPED UNASSEMBLED
3. ALL DIMENSIONS ARE REFERENCE EXCPET THOSE WITH A TOLERANCE

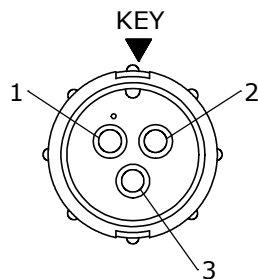
ASS'Y P/N	GROMMET SIZE	"X" DIM
5180-XPG-515	.160 GROMMET I.D. FOR CABLE O.D. .15-.17 [3.8-4.3]	Ø .77 [19.6]
5180-XPG-518	.190 GROMMET I.D. FOR CABLE O.D. .18-.20 [4.6-5.1]	Ø .77 [19.6]
5180-XPG-521	.225 GROMMET I.D. FOR CABLE O.D. .21-.23 [5.3-5.8]	Ø .77 [19.6]
5180-XPG-524	.250 GROMMET I.D. FOR CABLE O.D. .24-.27 [6.1-6.8]	Ø .77 [19.6]
5180-XPG-528	.285 GROMMET I.D. FOR CABLE O.D. .28-.29 [7.1-7.4]	Ø .77 [19.6]
5180-XPG-530	.312 GROMMET I.D. FOR CABLE O.D. .30-.32 [7.6-8.1]	Ø .77 [19.6]
5180-XPG-535	.375 GROMMET I.D. FOR CABLE O.D. .35-.40 [8.9-10.2]	Ø .83 [21.2]

ASS'Y P/N	NO. OF CONTACTS
5180-2PG-5XX	(2) #12
5180-3PG-5XX	(3) #12
5180-4PG-5XX	(4) #12
5180-XPG-5XX	

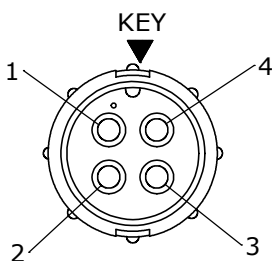
GROMMET SIZE  
NO. OF CONTACTS



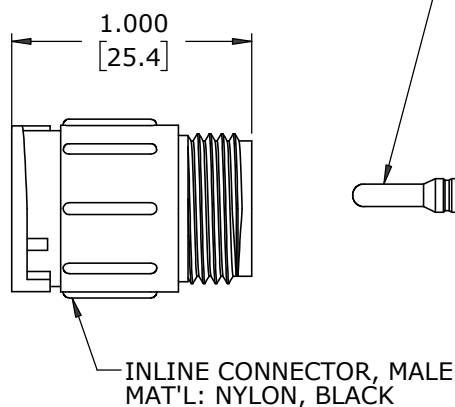
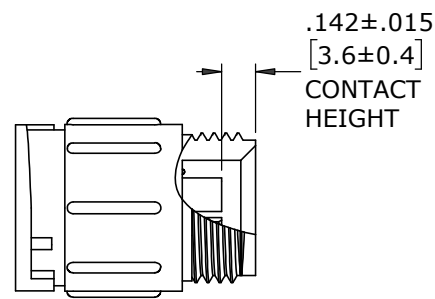
**FACE VIEW**  
5180-2PG-5XX



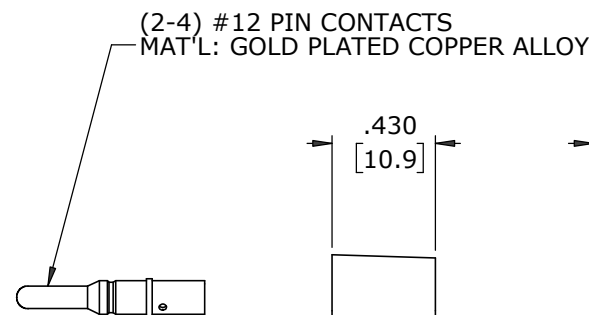
**FACE VIEW**  
5180-3PG-5XX



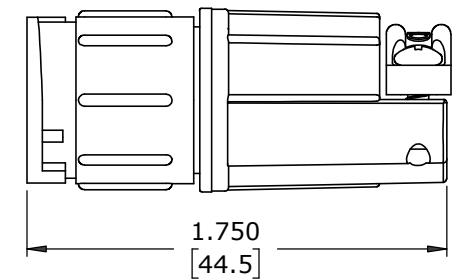
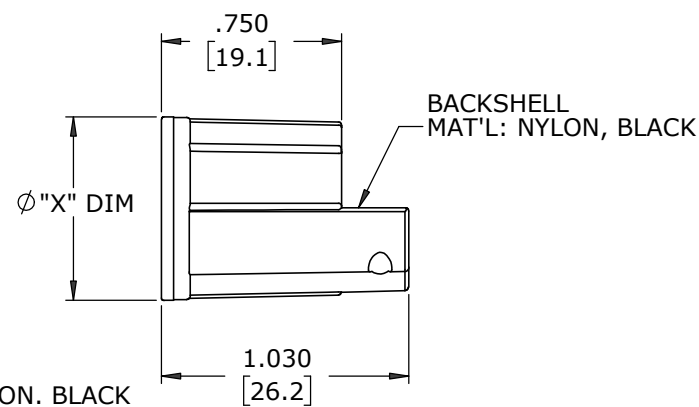
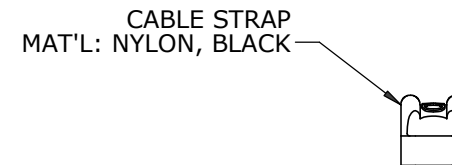
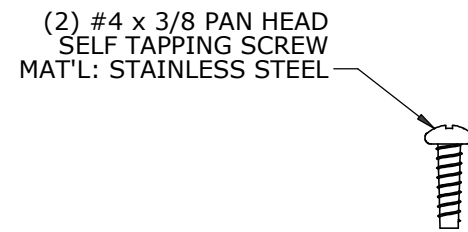
**FACE VIEW**  
5180-4PG-5XX



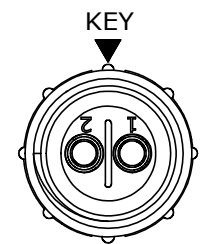
INLINE CONNECTOR, MALE  
MAT'L: NYLON, BLACK



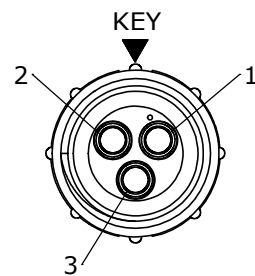
GROMMET  
MAT'L: SANTOPRENE, BLACK



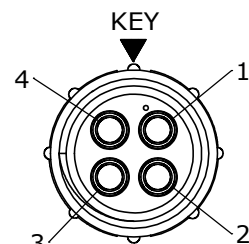
**SHOWN ASSEMBLED**  
FOR CUSTOMER REFERENCE ONLY



**WIRE VIEW**  
5180-2PG-5XX



**WIRE VIEW**  
5180-3PG-5XX



**WIRE VIEW**  
5180-4PG-5XX

CUSTOMER APPROVAL

THIS DOCUMENT CONTAINS CONFIDENTIAL INFORMATION PROPRIETARY TO CONXALL CORPORATION. ANY REPRODUCTION, DISCLOSURE, OR USE OF THIS DOCUMENT /INFORMATION IS EXPRESSLY PROHIBITED UNLESS AUTHORIZED IN WRITING BY CONXALL CORPORATION.

APPROVED BY: \_\_\_\_\_  
DATE: \_\_\_\_\_

A	MA	03-22-21	DRAWING CREATED PER DOR 15-E253SL-40
REV.	INIT.	DATE	DESCRIPTION
	MA	03-22-21	ORIG. DRAWN BY: DATE: MA 03-22-21
ALL INFORMATION ILLUSTRATED IS THE PROPERTY OF "CONXALL CORPORATION". UNAUTHORIZED DUPLICATION OR DISTRIBUTION OF THIS DOCUMENT IS PROHIBITED.			<p>601 E. WILDWOOD VILLA PARK, IL 60181</p>
ALL UNITS ARE IN FEET, INCHES, FRACTION OF INCHES AND DECIMALS.			
SCALE	SIZE	SHEET	TITLE:
NTS	B	1 OF 1	CABLE CONNECTOR ASS'Y (2-4) #16 PIN CONTACTS, CRIMP MULTI-CON-X
FILE:	DIRECTORY:	PART NUMBER:	CUSTOMER: STANDARD PRODUCT
5180-XPG-5XX	SLW	5180-XPG-5XX	REV A

DIMENSIONS IN BRACKETS [ ] ARE IN MILLIMETERS UNLESS INDICATED

**RoHS COMPLIANT**