

CUSTOMER PRINT

PART NUMBER: 5180-XSG-5XX

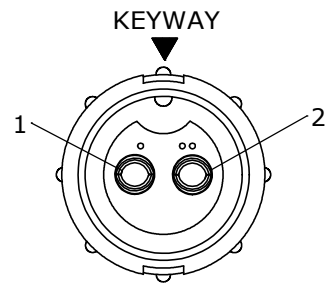
NOTES:

1. ALL PARTS TO BE BULK PACKED
2. CONTACTS SHIPPED UNASSEMBLED
3. ALL DIMENSIONS ARE REFERENCE EXCEPT THOSE WITH A TOLERANCE

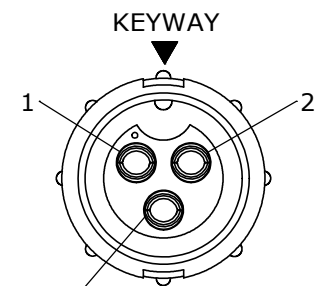
ASS'Y P/N	GROMMET SIZE	"X" DIM
5180-XSG-515	.160 GROMMET I.D. FOR CABLE O.D. .15-.17 [3.8-4.3]	Ø .77 [19.6]
5180-XSG-518	.190 GROMMET I.D. FOR CABLE O.D. .18-.20 [4.6-5.1]	Ø .77 [19.6]
5180-XSG-521	.225 GROMMET I.D. FOR CABLE O.D. .21-.23 [5.3-5.8]	Ø .77 [19.6]
5180-XSG-524	.250 GROMMET I.D. FOR CABLE O.D. .24-.27 [6.1-6.8]	Ø .77 [19.6]
5180-XSG-528	.285 GROMMET I.D. FOR CABLE O.D. .28-.29 [7.1-7.4]	Ø .77 [19.6]
5180-XSG-530	.312 GROMMET I.D. FOR CABLE O.D. .30-.32 [7.6-8.1]	Ø .77 [19.6]
5180-XSG-535	.375 GROMMET I.D. FOR CABLE O.D. .35-.40 [8.9-10.2]	Ø .83 [21.2]

ASS'Y P/N	NO. OF CONTACTS
5180-2SG-5XX	(2) #12
5180-3SG-5XX	(3) #12
5180-XSG-5XX	

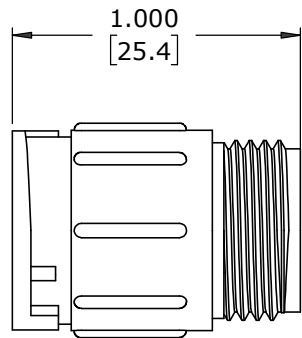
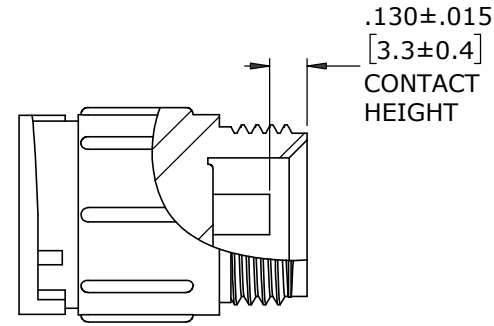
GROMMET SIZE
NO. OF CONTACTS



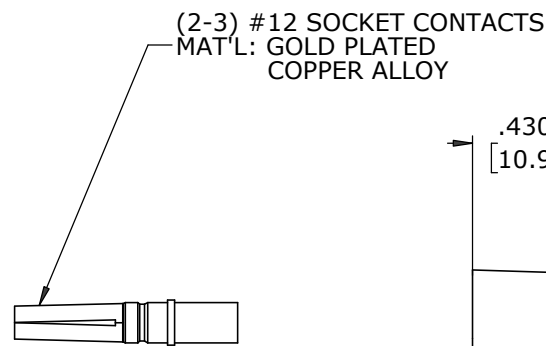
FACE VIEW
5180-2SG-5XX



FACE VIEW
5180-3SG-5XX

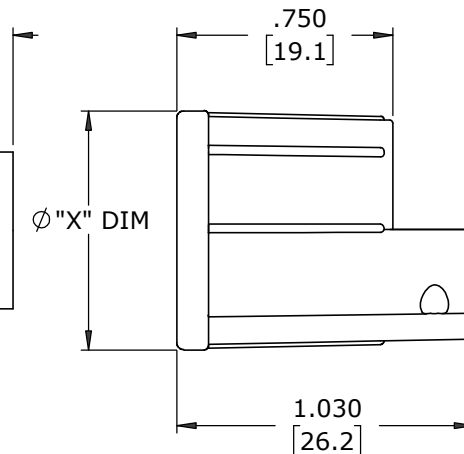


IN-LINE CABLE CONNECTOR, FEMALE
MAT'L: NYLON, BLACK

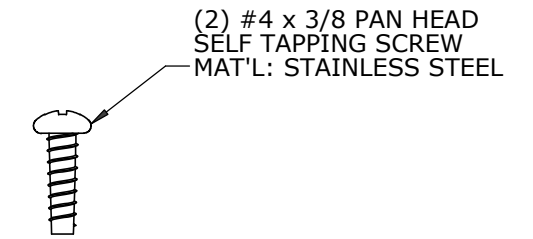


GROMMET
MAT'L: SANTOPRENE, BLACK

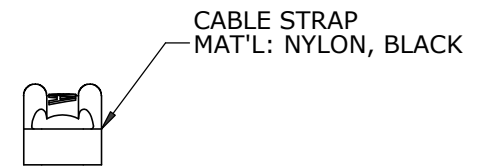
SLEEVE
MAT'L: NYLON, BLACK



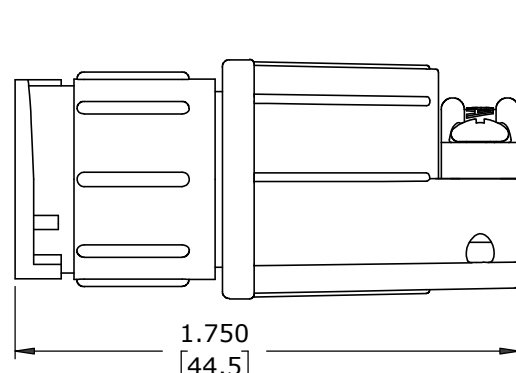
BACKSHELL
MAT'L: NYLON, BLACK



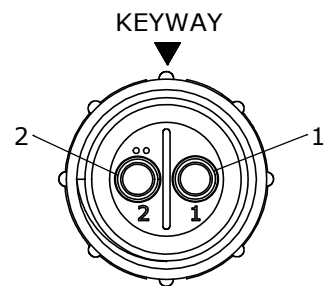
(2) #4 x 3/8 PAN HEAD
SELF TAPPING SCREW
MAT'L: STAINLESS STEEL



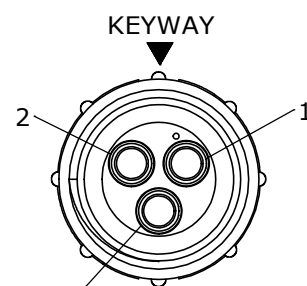
CABLE STRAP
MAT'L: NYLON, BLACK



SHOWN ASSEMBLED
FOR CUSTOMER REFERENCE ONLY



WIRE VIEW
5180-2SG-5XX



WIRE VIEW
5180-3SG-5XX

DIMENSIONS IN BRACKETS [] ARE IN MILLIMETERS UNLESS INDICATED

CUSTOMER APPROVAL

THIS DOCUMENT CONTAINS CONFIDENTIAL INFORMATION PROPRIETARY TO CONXALL CORPORATION. ANY REPRODUCTION, DISCLOSURE, OR USE OF THIS DOCUMENT /INFORMATION IS EXPRESSLY PROHIBITED UNLESS AUTHORIZED IN WRITING BY CONXALL CORPORATION.

APPROVED BY: _____
DATE: _____

RoHS COMPLIANT

A	MA	11-10-21	DRAWING CREATED PER DOR 15-E253SL-55
REV.	INIT.	DATE	DESCRIPTION
	MA	11-10-21	
ALL INFORMATION ILLUSTRATED IS THE PROPERTY OF "CONXALL CORPORATION". UNAUTHORIZED DUPLICATION OR DISTRIBUTION OF THIS DOCUMENT IS PROHIBITED.			<p>601 E. WILDWOOD VILLA PARK, IL 60181</p>
ALL UNITS ARE IN FEET, INCHES, FRACTION OF INCHES AND DECIMALS.			
SCALE	SIZE	SHEET	TITLE:
NTS	B	1 OF 1	IN-LINE CONNECTOR ASS'Y (2-3) #12 SOCKET CONTACTS, CRIMP MULTI-CON-X
FILE:	DIRECTORY:	PART NUMBER:	CUSTOMER: STANDARD PRODUCT
5180-XSG-5XX	SLW	5180-XSG-5XX	
		REV	A