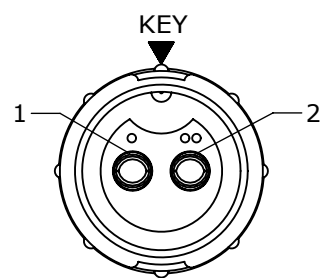
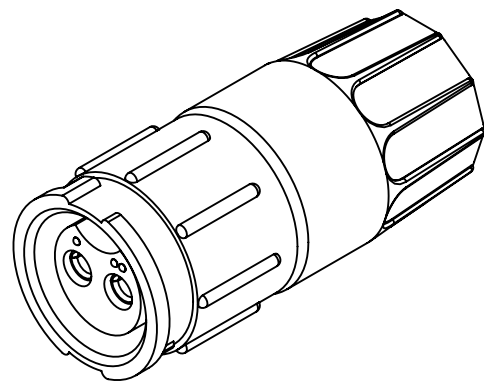
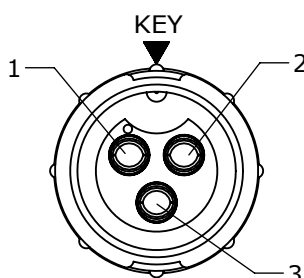


NOTES:

1. ALL PART TO BE BULK PACKED
2. CONTACT TO BE INSERTED INTO CONNECTOR AS SHOWN.
3. SEE DRAWING HPMUSTD FOR HOLE PATTERN.

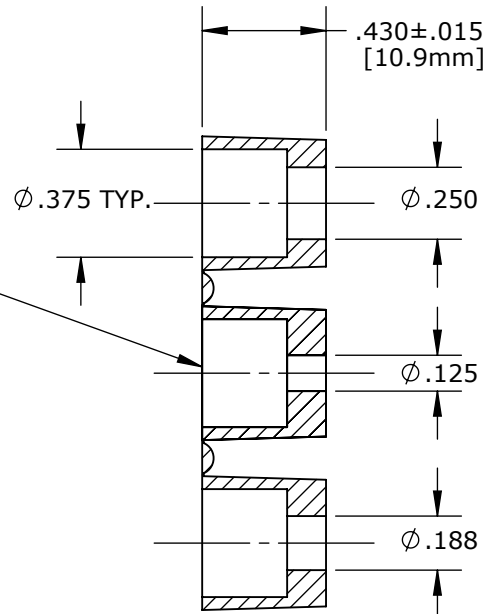


FACE VIEW
ASSY: 5182-2SG-3XX



FACE VIEW
ASSY: 5182-3SG-3XX

GROMMET, DAISY CHAIN
FOR 5182-XSG-3DC
MAT'L: RUBBER, BLACK



GROMMET SIZE FOR
SINGLE GROMMET, OR
"DC" FOR DAISY CHAIN

ASS'Y P/N	NO. OF POS.
5182-2SG-3XX	2
5182-3SG-3XX	3

KIT P/N	GROMMET FOR CABLE O.D.
5182-XSG-3DC	DAISY CHAIN
5182-XSG-315	.15-.17 [3.8-4.3mm] O.D.
5182-XSG-318	.18-.20 [4.6-5.1mm] O.D.
5182-XSG-321	.21-.23 [5.3-5.8mm] O.D.
5182-XSG-324	.24-.27 [6.1-6.8mm] O.D.
5182-XSG-328	.28-.29 [7.1-7.4mm] O.D.
5182-XSG-330	.30-.32 [7.6-8.1mm] O.D.

NO. OF CONTACTS POSITIONS

CABLE CONNECTOR, FEMALE
MAT'L: THERMOPLASTIC, BLACK

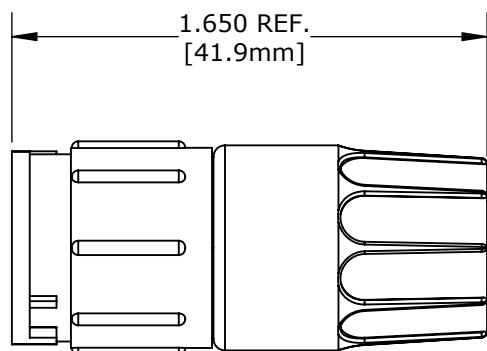
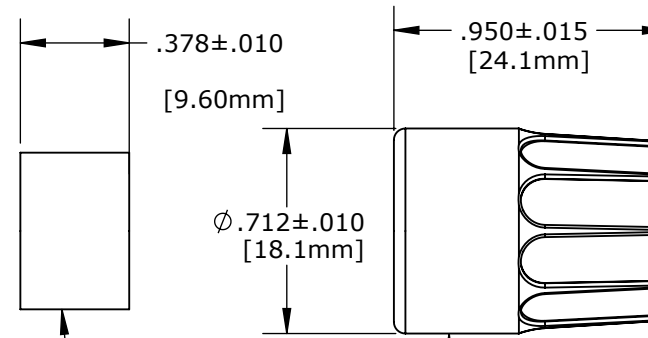
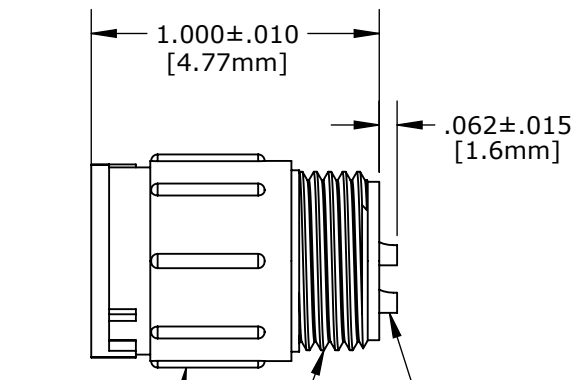
5/8-20 UNEF-2A THREAD

(2-3) #12 SOCKET CONTACTS
SOLDER TAIL
MAT'L: GOLD PLATED,
COPPER ALLOY

SINGLE GROMMET
MAT'L: SANTOPRENE, BLACK
GROMMET O.D. SEE CHART.

GROMMET SLEEVE
MAT'L: THERMOPLASTIC, BLACK

BACKSHELL
MAT'L: THERMOPLASTIC, BLACK



SHOWN ASSEMBLED KIT
FOR CUSTOMER REFERENCE ONLY

CUSTOMER APPROVAL

THIS DOCUMENT CONTAINS CONFIDENTIAL INFORMATION PROPRIETARY TO CONXALL CORPORATION. ANY REPRODUCTION, DISCLOSURE, OR USE OF THIS DOCUMENT /INFORMATION IS EXPRESSLY PROHIBITED UNLESS AUTHORIZED IN WRITING BY CONXALL CORPORATION.

APPROVED BY: _____
DATE: _____

RoHS COMPLIANT

DIMENSIONS IN BRACKET [] ARE METRIC.

REV.	INIT.	DATE	DESCRIPTION
A	AN	09-18-15	DRAWING CREATED PER DOR 15-E149SL #12
<small>ALL INFORMATION ILLUSTRATED IS THE PROPERTY OF "CONXALL CORPORATION." UNAUTHORIZED DUPLICATION OR DISTRIBUTION OF THIS DOCUMENT IS PROHIBITED.</small>			<small>ORIG. DRAWN BY: AN</small> <small>DATE: 09-15-15</small> <small>CHECKED BY:</small>
<small>ALL UNITS ARE IN FEET, INCHES, FRACTION OF INCHES AND DECIMALS.</small>			<small>APPROVED BY:</small> <small>SCALE: NTS</small> <small>SIZE: B</small> <small>SHEET: 1 OF 1</small>
<small>△ - CRITICAL CHARACTERISTIC FLAG PER SPEC. XXXX</small>			<small>FILE: 5182-XSG-3XX</small> <small>DIRECTORY: SLW</small>
TITLE: CABLE TO CABLE CONNECTOR KIT (2-3) #12 SOCKET CONTACTS MULTI-CON-X CUSTOMER: STANDARD PRODUCT PART NUMBER: 5182-XSG-3XX REV: A			