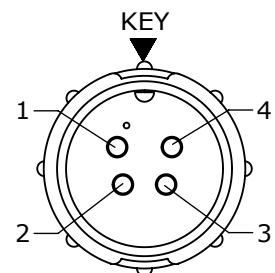
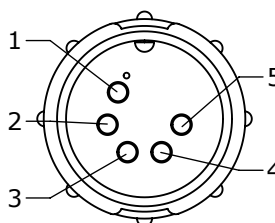


CUSTOMER PRINT

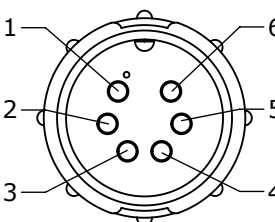
PART NUMBER: 5280-XPG-3XX



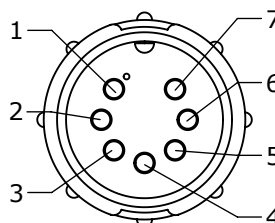
FACE VIEW
ASSY: 5280-4PG-3XX



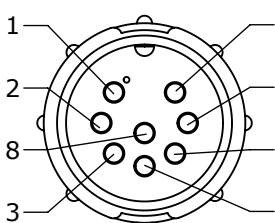
FACE VIEW
ASSY: 5280-5PG-3XX



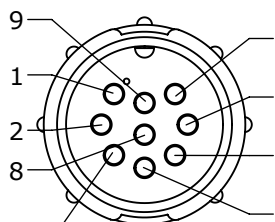
FACE VIEW
ASSY: 5280-6PG-3XX



FACE VIEW
ASSY: 5280-7PG-3XX

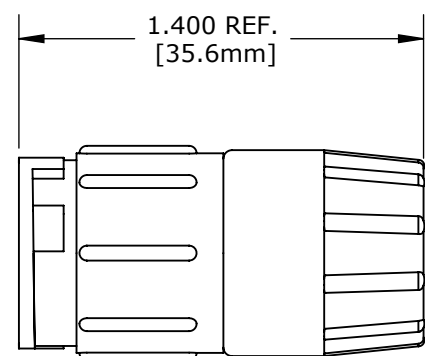
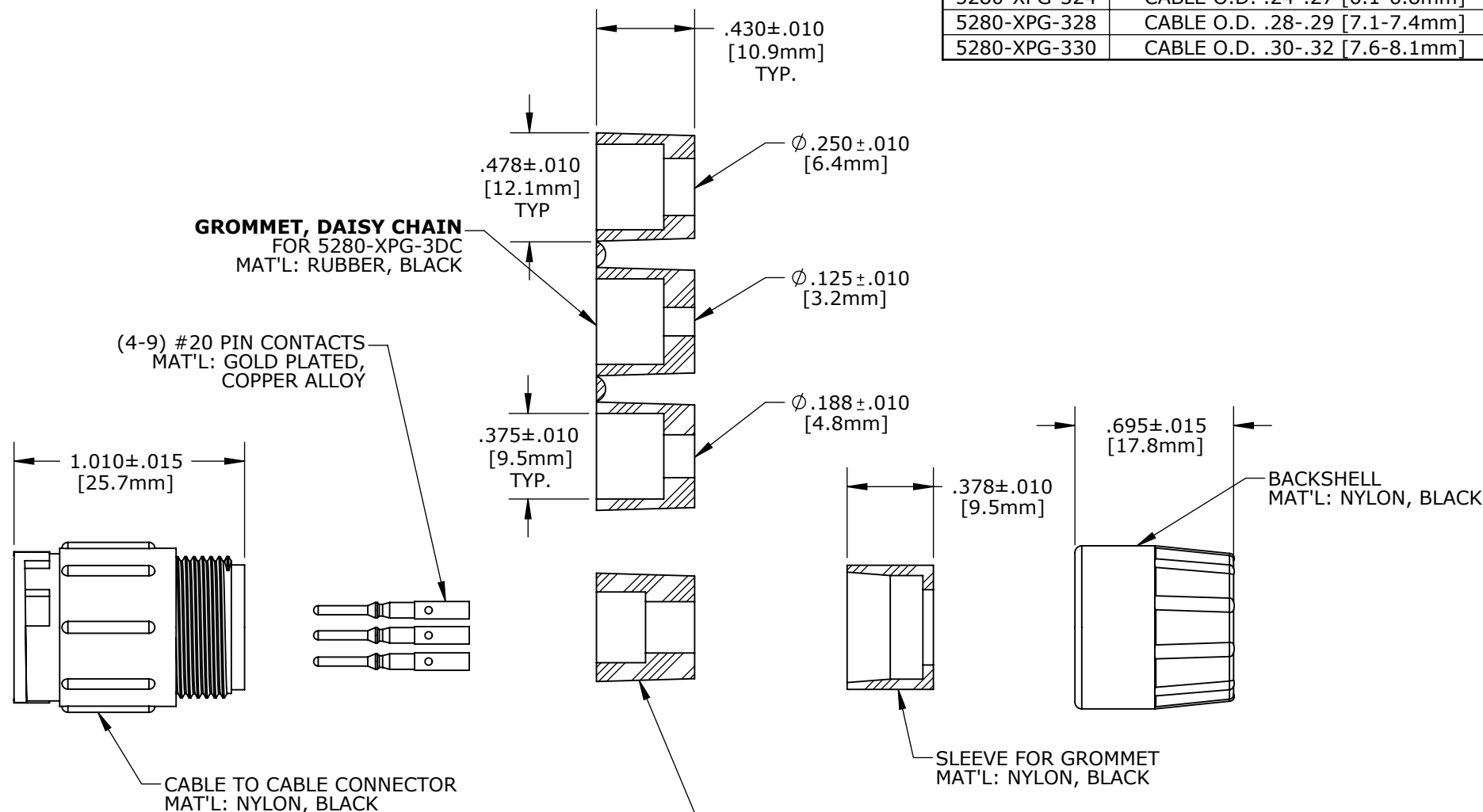


FACE VIEW
ASSY: 5280-8PG-3XX



FACE VIEW
ASSY: 5280-9PG-3XX

- NOTES:
1. ALL PARTS TO BE BULK PACKED.
2. ALL DIMENSIONS ARE REFERENCE ONLY.



SHOWN ASSEMBLED KIT
FOR CUSTOMER REFERENCE ONLY



KIT P/N	GROMMET SIZE
5280-XPG-3DC	DAISY CHAIN
5280-XPG-315	CABLE O.D. .15-.17 [3.8-4.3mm]
5280-XPG-318	CABLE O.D. .18-.20 [4.6-5.1mm]
5280-XPG-321	CABLE O.D. .21-.23 [5.3-5.8mm]
5280-XPG-324	CABLE O.D. .24-.27 [6.1-6.8mm]
5280-XPG-328	CABLE O.D. .28-.29 [7.1-7.4mm]
5280-XPG-330	CABLE O.D. .30-.32 [7.6-8.1mm]

KIT P/N	NO. OF CONTACTS
5280-4PG-3XX	4 #20
5280-5PG-3XX	5 #20
5280-6PG-3XX	6 #20
5280-7PG-3XX	7 #20
5280-8PG-3XX	8 #20
5280-9PG-3XX	9 #20
5280-XPG-3XX	

GROMMET SIZE FOR SINGLE GROMMET OR "DC" FOR DAISY CHAIN

NO. OF CONTACTS

- SINGLE GROMMET**
MAT'L: SANTOPRENE, BLACK
- 5280-XPG-315 .156 I.D. FOR CABLES .15-.17 [3.8-4.3mm] O.D.
 - 5280-XPG-318 .187 I.D. FOR CABLES .18-.20 [4.6-5.1mm] O.D.
 - 5280-XPG-321 .225 I.D. FOR CABLES .21-.23 [5.3-5.8mm] O.D.
 - 5280-XPG-324 .250 I.D. FOR CABLES .24-.27 [6.1-6.8mm] O.D.
 - 5280-XPG-328 .285 I.D. FOR CABLES .28-.29 [7.1-7.4mm] O.D.
 - 5280-XPG-330 .312 I.D. FOR CABLES .30-.32 [7.6-8.1mm] O.D.

CUSTOMER APPROVAL

THIS DOCUMENT CONTAINS CONFIDENTIAL INFORMATION PROPRIETARY TO CONXALL CORPORATION. ANY REPRODUCTION, DISCLOSURE, OR USE OF THIS DOCUMENT / INFORMATION IS EXPRESSLY PROHIBITED UNLESS AUTHORIZED IN WRITING BY CONXALL CORPORATION.

APPROVED BY: _____

DATE: _____

RoHS COMPLIANT

B	AN	03-11-11	ADDED TOLERANCES AND MATERIALS. ADDED ASSEMBLED VIEW. PER ECR 7783
A	BZ	08-20-09	DRAWING CREATED PER DOR 09-E149SL
REV.	INIT.	DATE	DESCRIPTION
	BZ	08-20-09	
<small>ALL INFORMATION ILLUSTRATED IS THE PROPERTY OF "CONXALL CORPORATION". UNAUTHORIZED DUPLICATION OR DISTRIBUTION OF THIS DOCUMENT IS PROHIBITED.</small>			<p>601 E. WILDWOOD VILLA PARK, IL 60181</p>
<small>ALL UNITS ARE IN FEET, INCHES, FRACTION OF INCHES AND DECIMALS.</small>			
APPROVED BY:		TITLE: CABLE TO CABLE CONNECTOR KIT	
SCALE: NTS		4-9 #20 PIN CONTACTS	
SIZE: B		MULTI-CON-X	
SHEET: 1 OF 1		CUSTOMER: STANDARD PRODUCT	
FILE: 5280-XPG-3XX	DIRECTORY: SLW	PART NUMBER: 5280-XPG-3XX	REV B

DIMENSIONS IS BRACKETS [] ARE METRIC