

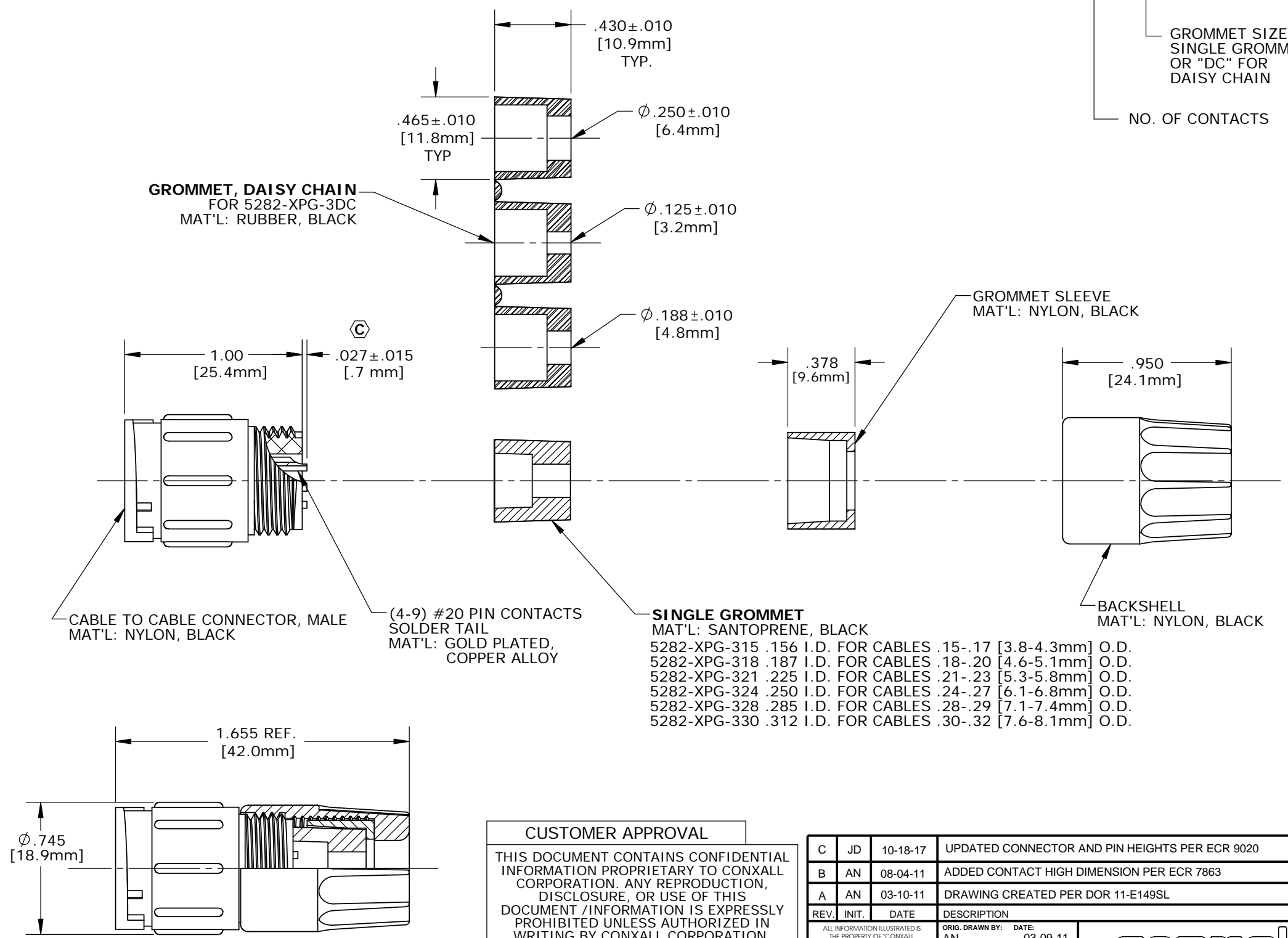
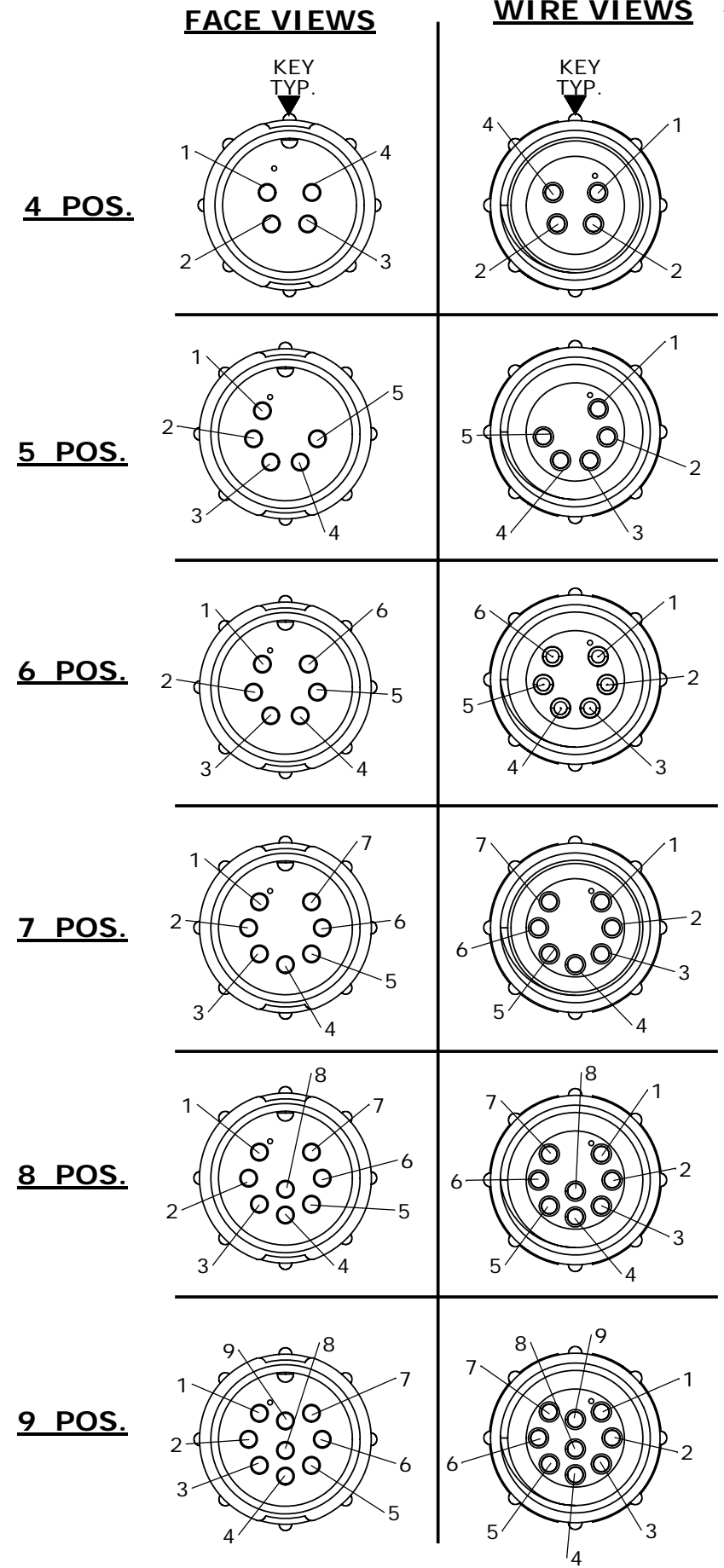
CUSTOMER PRINT

PART NUMBER: 5282-XPG-3XX

KIT P/N	NO. OF CONTACTS
5282-4PG-3XX	(4)-#20
5282-5PG-3XX	(5)-#20
5282-6PG-3XX	(6)-#20
5282-7PG-3XX	(7)-#20
5282-8PG-3XX	(8)-#20
5282-9PG-3XX	(9)-#20
5282-XPG-3XX	

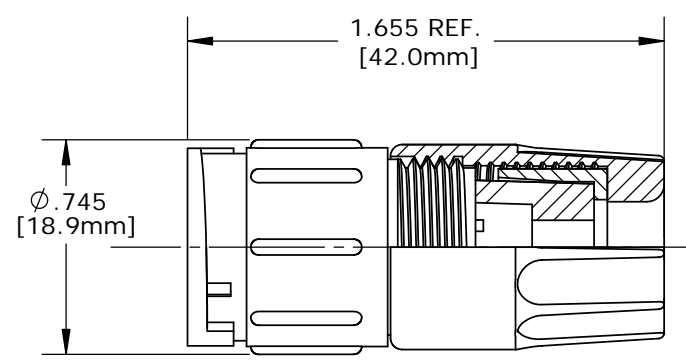
GROMMET SIZE FOR SINGLE GROMMET OR "DC" FOR DAISY CHAIN  
NO. OF CONTACTS

- NOTES:
- ALL PARTS TO BE BULK PACKED.
  - CONTACTS ARE INSTALLED INTO CONNECTOR
  - DIMENSIONS ARE REFERENCE UNLESS OTHERWISE STATED.



GROMMET, DAISY CHAIN FOR 5282-XPG-3DC MAT'L: RUBBER, BLACK

**SINGLE GROMMET**  
MAT'L: SANTOPRENE, BLACK  
5282-XPG-315 .156 I.D. FOR CABLES .15-.17 [3.8-4.3mm] O.D.  
5282-XPG-318 .187 I.D. FOR CABLES .18-.20 [4.6-5.1mm] O.D.  
5282-XPG-321 .225 I.D. FOR CABLES .21-.23 [5.3-5.8mm] O.D.  
5282-XPG-324 .250 I.D. FOR CABLES .24-.27 [6.1-6.8mm] O.D.  
5282-XPG-328 .285 I.D. FOR CABLES .28-.29 [7.1-7.4mm] O.D.  
5282-XPG-330 .312 I.D. FOR CABLES .30-.32 [7.6-8.1mm] O.D.



SHOWN ASSEMBLED KIT FOR CUSTOMER REFERENCE ONLY

DIMENSIONS IS BRACKETS [ ] ARE METRIC

**CUSTOMER APPROVAL**  
THIS DOCUMENT CONTAINS CONFIDENTIAL INFORMATION PROPRIETARY TO CONXALL CORPORATION. ANY REPRODUCTION, DISCLOSURE, OR USE OF THIS DOCUMENT /INFORMATION IS EXPRESSLY PROHIBITED UNLESS AUTHORIZED IN WRITING BY CONXALL CORPORATION.  
APPROVED BY: \_\_\_\_\_  
DATE: \_\_\_\_\_

**RoHS COMPLIANT**

REV.	INIT.	DATE	DESCRIPTION
C	JD	10-18-17	UPDATED CONNECTOR AND PIN HEIGHTS PER ECR 9020
B	AN	08-04-11	ADDED CONTACT HIGH DIMENSION PER ECR 7863
A	AN	03-10-11	DRAWING CREATED PER DOR 11-E149SL

ALL INFORMATION ILLUSTRATED IS THE PROPERTY OF CONXALL CORPORATION. UNAUTHORIZED DUPLICATION OR DISTRIBUTION OF THIS DOCUMENT IS PROHIBITED.	ORIG. DRAWN BY: AN DATE: 03-09-11	<b>conxall</b> 601 E. WILDWOOD VILLA PARK, IL 60181
ALL UNITS ARE IN FEET, INCHES, FRACTION OF INCHES AND DECIMALS.	CHECKED BY:	
APPROVED BY:		TITLE: CABLE TO CABLE CONNECTOR KIT (4-9) #20 PIN, SOLDER TAIL MULTI-CON-X, LONG BACKSHELL STANDARD PRODUCT
SCALE: NTS	SIZE: B	SHEET: 1 OF 1
FILE: 5282-XPG-3XX	DIRECTORY: SLW	PART NUMBER: 5282-XPG-3XX