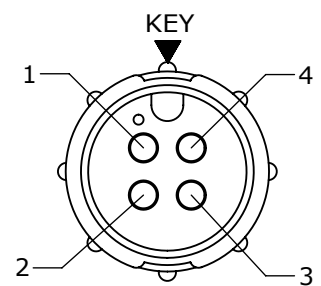


- NOTES:  
 1. ALL PART TO BE BULK PACKED  
 2. SEE DRAWING HPMUSTD FOR HOLE PATTERN.

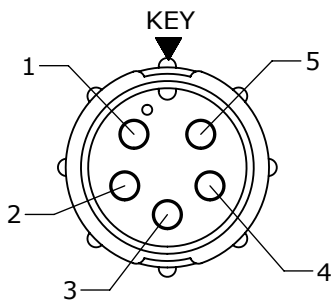
KIT P/N	NO. OF CONTACTS
5380-4PG-3XX	(4)-#16
5380-5PG-3XX	(5)-#16
5380-6PG-3XX	(6)-#16
5380-XPG-3XX	

GROMMET SIZE FOR SINGLE GROMMET, OR "DC" FOR DAISY CHAIN SEE GROMMET LIST

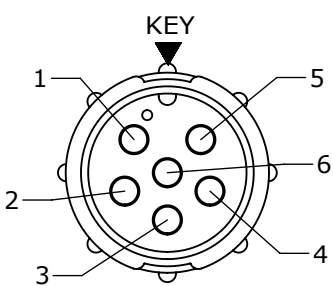
NO. OF CONTACTS



**FACE VIEW**  
 ASSY: 5380-4PG-3XX

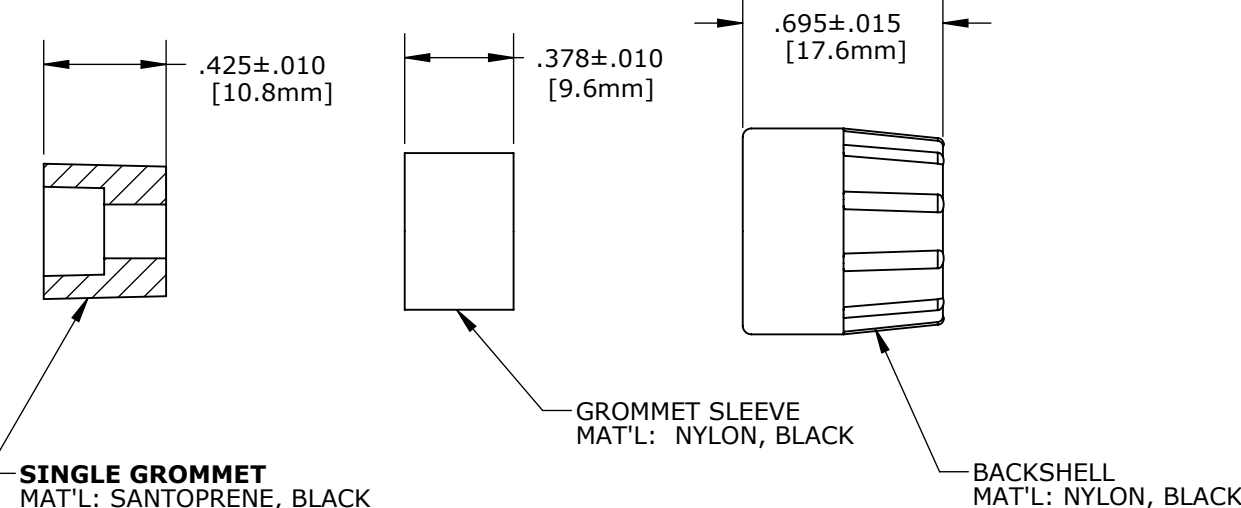
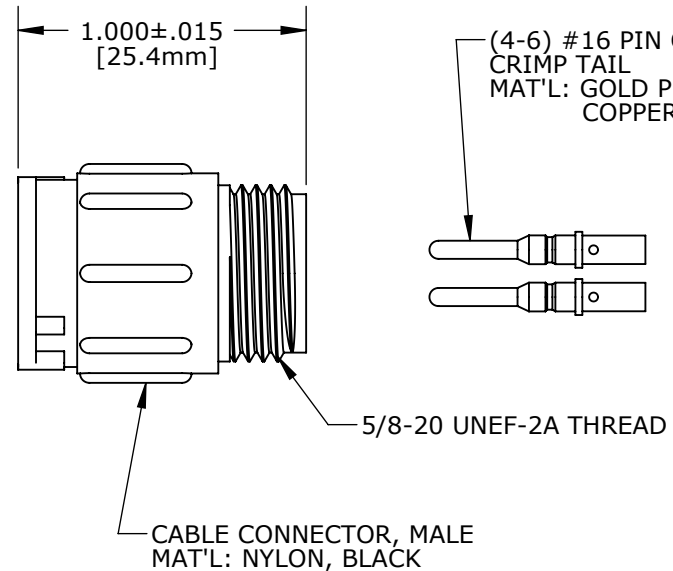
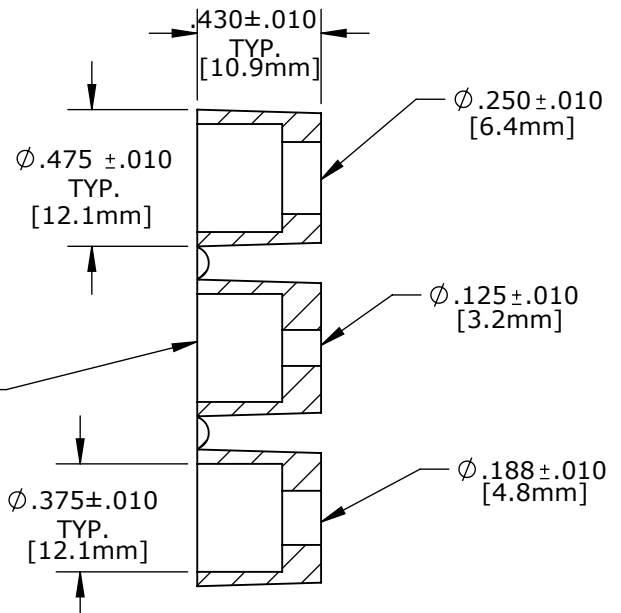


**FACE VIEW**  
 ASSY: 5380-5PG-3XX

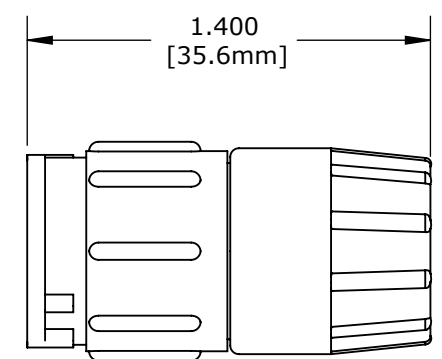


**FACE VIEW**  
 ASSY: 5380-6PG-3XX

**GROMMET, DAISY CHAIN**  
 FOR 5380-XPG-3DC  
 MAT'L: RUBBER, BLACK



- SINGLE GROMMET**  
 MAT'L: SANTOPRENE, BLACK
- 5380-XPG-315: .160 I.D. FOR CABLES .15-.17 [3.8-4.3mm] O.D.
  - 5380-XPG-318: .190 I.D. FOR CABLES .18-.20 [4.6-5.1mm] O.D.
  - 5380-XPG-321: .225 I.D. FOR CABLES .21-.23 [5.3-5.8mm] O.D.
  - 5380-XPG-324: .250 I.D. FOR CABLES .24-.27 [6.1-6.8mm] O.D.
  - 5380-XPG-328: .285 I.D. FOR CABLES .28-.29 [7.1-7.4mm] O.D.
  - 5380-XPG-330: .312 I.D. FOR CABLES .30-.32 [7.6-8.1mm] O.D.



**SHOWN ASSEMBLED KIT**  
 FOR CUSTOMER REFERENCE ONLY

DIMENSIONS IN BRACKET [ ] ARE METRIC.

**CUSTOMER APPROVAL**

THIS DOCUMENT CONTAINS CONFIDENTIAL INFORMATION PROPRIETARY TO CONXALL CORPORATION. ANY REPRODUCTION, DISCLOSURE, OR USE OF THIS DOCUMENT /INFORMATION IS EXPRESSLY PROHIBITED UNLESS AUTHORIZED IN WRITING BY CONXALL CORPORATION.

APPROVED BY: \_\_\_\_\_  
 DATE: \_\_\_\_\_

**RoHS COMPLIANT**

A	AN	03-15-11	DRAWING CREATED PER DOR 11-E149SL
REV.	INIT.	DATE	DESCRIPTION
	AN	03-04-11	
<small>ALL INFORMATION ILLUSTRATED IS THE PROPERTY OF CONXALL CORPORATION. UNAUTHORIZED DUPLICATION OR DISTRIBUTION OF THIS DOCUMENT IS PROHIBITED.</small>			<p>601 E. WILDWOOD VILLA PARK, IL 60181</p>
<small>ALL UNITS ARE IN FEET, INCHES, FRACTION OF INCHES AND DECIMALS.</small>			
APPROVED BY:		TITLE: CABLE TO CABLE CONNECTOR KIT (4-6) #16 PIN CONTACTS MULTI-CON-X	
SCALE	SIZE	SHEET	CUSTOMER: STANDARD PRODUCT
NTS	B	1 OF 1	
FILE:	DIRECTORY:	PART NUMBER:	REV
5380-XPG-3XX	SLW	5380-XPG-3XX	A