

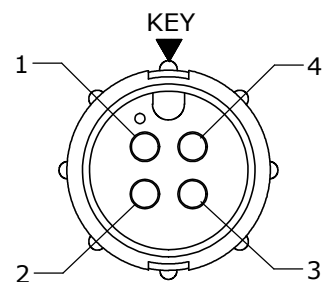
- NOTES:**
 1. PARTS TO BE BULK PACKED
 2. CONTACTS TO BE INSERTED INTO CONNECTOR.
 3. ALL DIMENSIONS ARE REFERENCE ONLY EXCEPT THOSE WITH A TOLERANCE.

ASS'Y P/N	# OF CONTACTS
5382-4PG-5XX	4
5382-5PG-5XX	5
5382-6PG-5XX	6

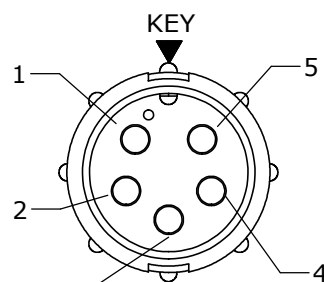
KIT P/N	GROMMET CABLE O.D.	"X" DIM.
5382-XPG-515	0.15-0.17 [3.8-4.3]	Ø 0.77 [19.6mm]
5382-XPG-518	0.18-0.20 [4.6-5.1]	Ø 0.77 [19.6mm]
5382-XPG-521	0.21-0.23 [5.3-5.8]	Ø 0.77 [19.6mm]
5382-XPG-524	0.24-0.27 [6.1-6.8]	Ø 0.77 [19.6mm]
5382-XPG-528	0.28-0.29 [7.1-7.4]	Ø 0.77 [19.6mm]
5382-XPG-530	0.30-0.32 [7.6-8.1]	Ø 0.77 [19.6mm]
5382-XPG-535	0.35-0.40 [8.9-10.2]	Ø 0.83 [21.1mm]

GROMMET SIZE SEE P/N LIST

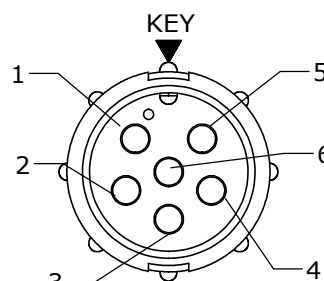
GROMMET SIZE FOR SINGLE GROMMET OR "DC" FOR DAISY CHAIN



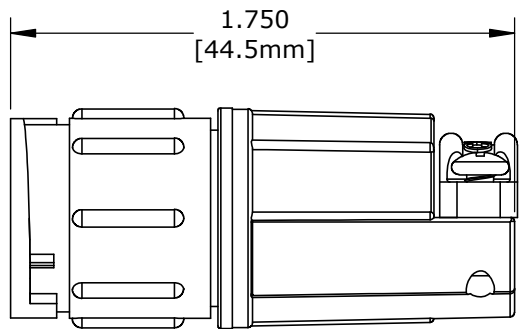
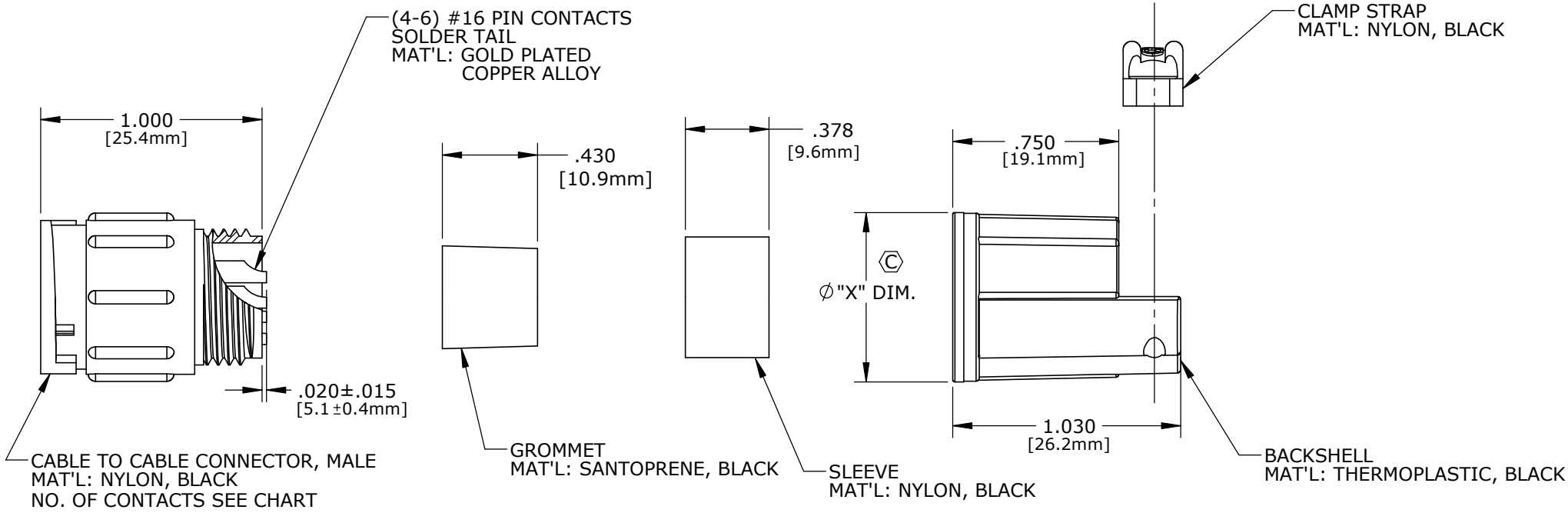
MATING FACE
ASS'Y: 5382-4PG-5XX



MATING FACE
ASS'Y: 5382-5PG-5XX



MATING FACE
ASS'Y: 5382-6PG-5XX



ASSEMBLED VIEW
Ⓢ FOR CUSTOMER REFERENCE ONLY

DIMENSIONS IN BRACKET [] ARE METRIC.

CUSTOMER APPROVAL

THIS DOCUMENT CONTAINS CONFIDENTIAL INFORMATION PROPRIETARY TO CONXALL CORPORATION. ANY REPRODUCTION, DISCLOSURE, OR USE OF THIS DOCUMENT /INFORMATION IS EXPRESSLY PROHIBITED UNLESS AUTHORIZED IN WRITING BY CONXALL CORPORATION.

APPROVED BY: _____
 DATE: _____

C	AN	03-16-21	ADDED 5382-XPG-535, AND "X" DIM. COLUMN TO CHART, UPDATED STRAP STYLE. PER ECR 9543
B	AN	06-18-12	SHOWN ASSEMBLED CONTACTS AND DIMENSIONS, ADDED MATERIALS AND TOLERANCES. PER ECR 8189
A	AN	07-10-08	DRAWING CREATED PER DOR 08-E149SL
REV.	INIT.	DATE	DESCRIPTION
	AN	07-01-08	ORIG. DRAWN BY: AN DATE: 07-01-08
			CHECKED BY:
			APPROVED BY:
			SCALE: NTS SIZE: B SHEET: 1 OF 1
			TITLE: CONXALL 601 E. WILDWOOD VILLA PARK, IL 60181
			CUSTOMER: STANDARD PRODUCT
			FILE: 5382-XPG-5XX DIRECTORY: SLW PART NUMBER: 5382-XPG-5XX
			REV: C