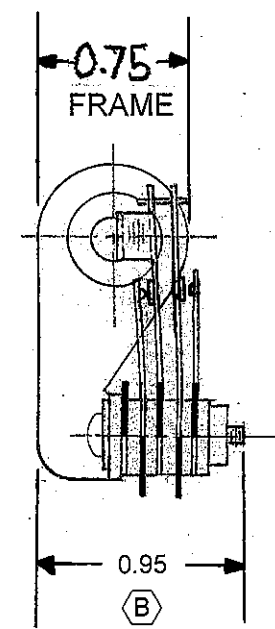
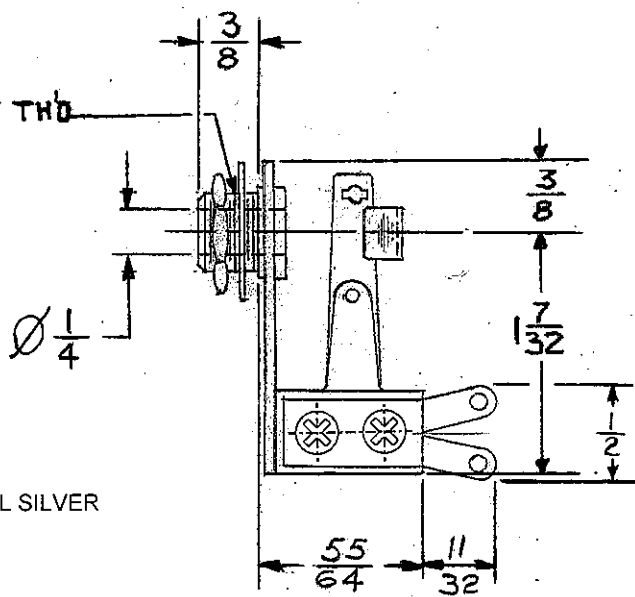


3/8-32 NF-2 THD

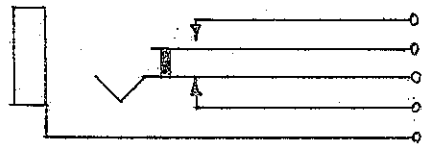


NOTES:

1. MATERIALS:
 - FRAME - STEEL, NICKEL PLATED
 - BUSHING - BRASS, NICKEL PLATED
 - SPRINGS - SPRING TEMPERED, NICKEL SILVER
 - TERMINALS - LEAD FREE TIN DIPPED
 - CONTACTS - FINE SILVER
 - SPACERS AND LIFTER - PHENOLIC
 - GROUND TERMINAL - STEEL, TIN PLATED
 - TUBING - THERMOPLASTIC
 - TWIN NUT - STEEL, NICKEL PLATED
 - SCREWS - STEEL NICKEL PLATED
 - HARDWARE:
 - WASHER - STEEL, NICKEL PLATED
 - HEX NUT - BRASS, NICKEL PLATED

2. HARDWARE SHIPPED UNASSEMBLED.

3. THIS PRODUCT IS RoHS COMPLIANT.



SCHEMATIC CIRCUIT

CUSTOMER DRAWING

THIS DRAWING DESCRIBES A DESIGN CONSIDERED PROPRIETARY IN NATURE, DEVELOPED AND MANUFACTURED BY SWITCHCRAFT INC. AND IS RELEASED ON A CONFIDENTIAL BASIS FOR IDENTIFICATION PURPOSES ONLY.				
SIZE	WIDTH	MULT	LBS/M	TEMPER
FINISH		MATERIAL		
SPEC No.		SPEC No.		
FIRST USED ON		SCALE		
		1:1		
DATE DRAWN	BY	CHKD	APVD	
09-24-21	PC	PC	TJK	
		09-24-21	09-24-21	
NAME			PART No.	REV
PHONE JACK			54AX	B
SHORT FRAME, RoHS				

UNLESS OTHERWISE SPECIFIED				
1. ALL DIMENSIONS IN INCHES [mm]				
- TWO PLACE DECIMALS ±0.02 [0.5]				
- THREE PLACE DECIMALS ±0.005 [0.13]				
B	28409	07-09-21	PC	TJK
A	26220	02-05-07	PC	TJK
REV	ECO NUMBER	DATE	BY	APVD
REVISIONS				
DO NOT SCALE DRAWING				

SolidWorks CAD File

Switchcraft®

SHEET 1 OF 1