

NOTES:

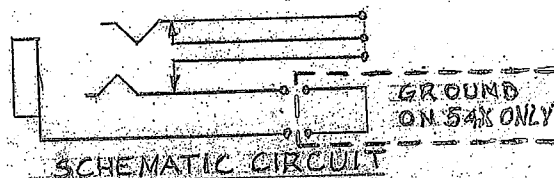
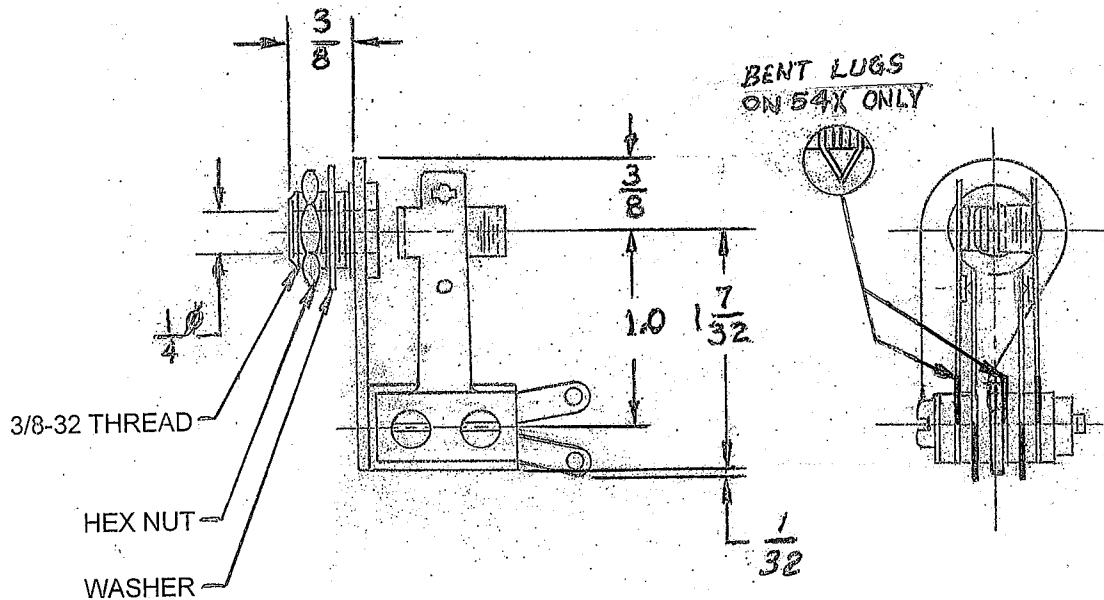
1. MATERIALS:

- FRAME - STEEL, NICKEL PLATED
- BUSHING - BRASS, NICKEL PLATED
- SPRING - SPRING TEMPERED, NICKEL SILVER
- TERMINALS - LEAD FREE TIN DIPPED
- SPACERS - PHENOLIC
- GROUND TERMINAL - STEEL, TIN PLATED
- TUBING - THERMOPLASTIC
- TWIN NUT - STEEL, NICKEL PLATED
- SCREWS - STEEL NICKEL PLATED
- HARDWARE:

- WASHER - STEEL, NICKEL PLATED
- HEX NUT - BRASS, NICKEL PLATED

2. HARDWARE SHIPPED UNASSEMBLED.

3. THIS PRODUCT IS RoHS COMPLIANT.



PART NUMBER	DESCRIPTION
54X	RING SPRING & GROUND LUGS BENT AS SHOWN
54BX	STANDARD TERMINALS

CUSTOMER DRAWING

					THIS DRAWING DESCRIBES A DESIGN CONSIDERED PROPRIETARY IN NATURE, DEVELOPED AND MANUFACTURED BY SWITCHCRAFT INC. AND IS RELEASED ON A CONFIDENTIAL BASIS FOR IDENTIFICATION PURPOSES ONLY.								
UNLESS OTHERWISE SPECIFIED 1. ALL DIMENSIONS IN INCHES [mm] - TWO PLACE DECIMALS ±0.02 [0.5] - THREE PLACE DECIMALS ±0.005 [0.13]					SIZE	WIDTH	MULT	LBS/M	TEMPER				
					FINISH				MATERIAL				
					SPEC No.				SPEC No.				
					FIRST USED ON		SCALE 1:1						
A	26220	02-05-07	TJK	TJK	DATE DRAWN	BY	CHKD	APVD					
REV	ECO NUMBER	DATE	BY	APVD	10/17/22	TJK	TJK	TJK					
REVISIONS					NAME PHONE JACK SHORT FRAME, RoHS								
DO NOT SCALE DRAWING					PART No. 54X-54BX								
					SHEET 1 OF 1								
					REV A								

SolidWorks CAD File

