

**NOTES:**

1. ALL PARTS TO BE BULK PACKED.
2. CONTACTS ARE ASSEMBLED INTO THE CONNECTOR.
3. ALL DIMENSIONS ARE REFERENCE ONLY UNLESS OTHERWISE STATED.

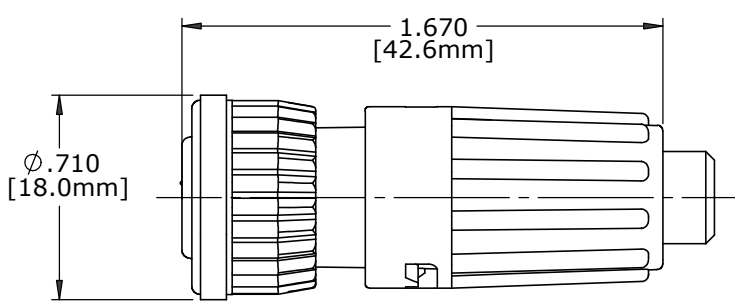
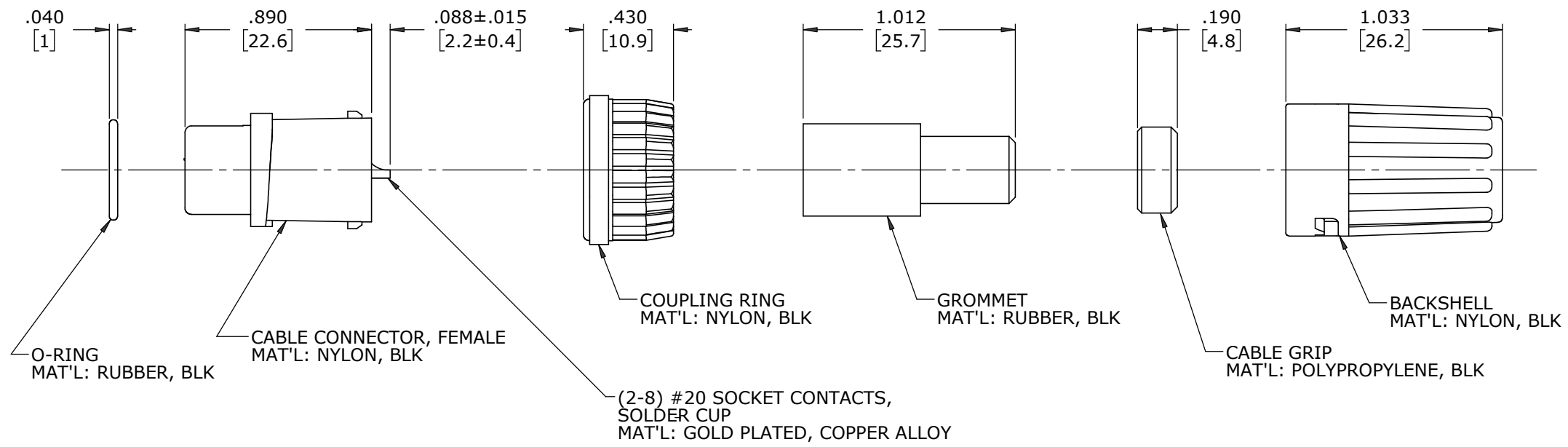
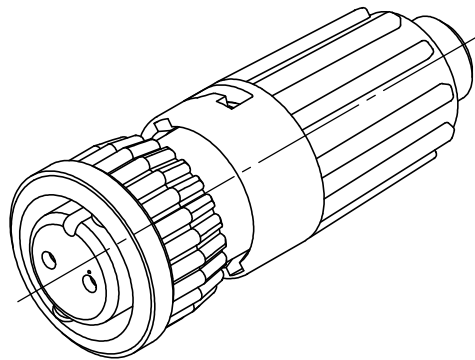
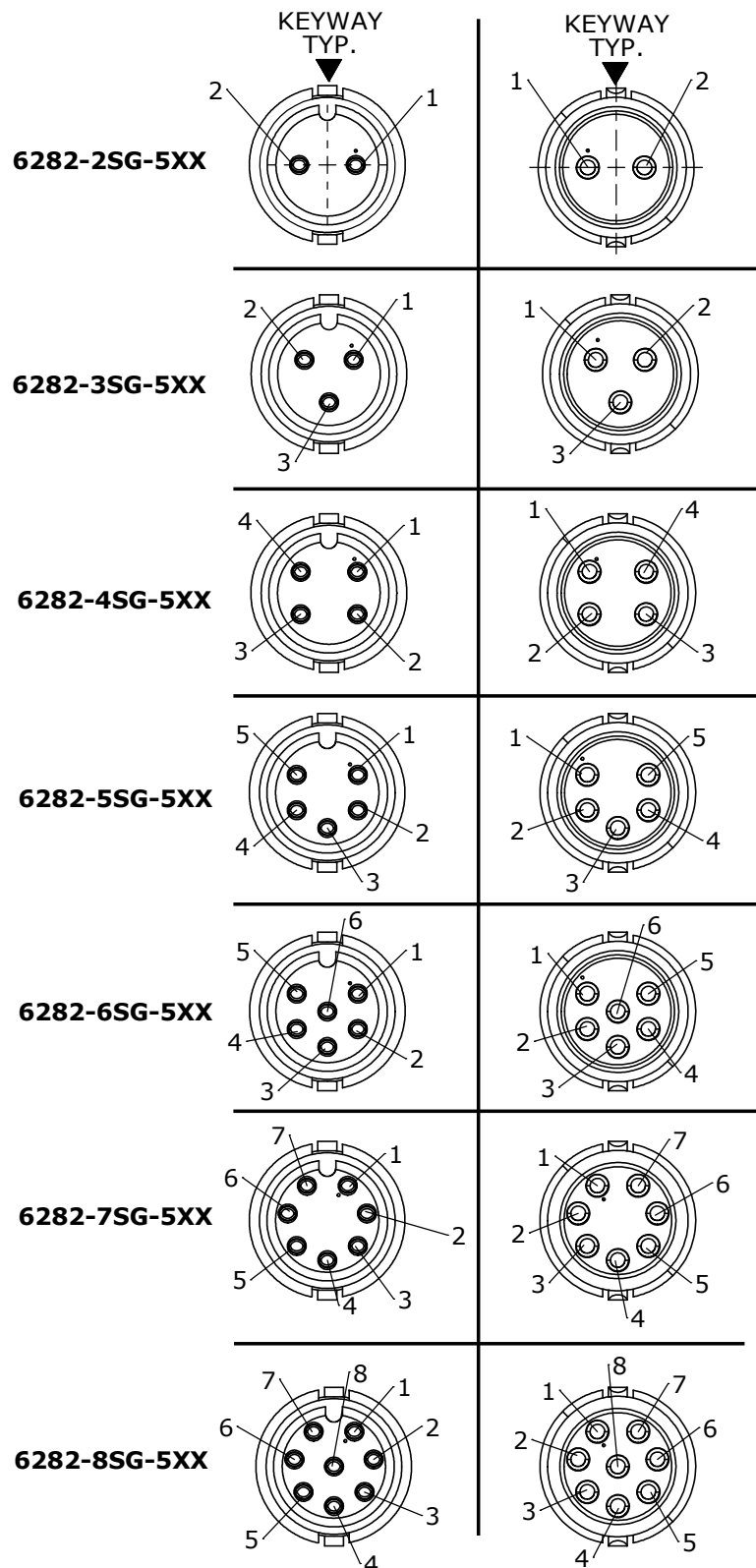
ASSY P/N	GROMMET SIZE
6282-XSG-513	.148 GROMMET I.D. FOR CABLE O.D. .13-.15 [3.3-3.8mm]
6282-XSG-516	.176 GROMMET I.D. FOR CABLE O.D. .16-.18 [4.1-4.6mm]
6282-XSG-519	.206 GROMMET I.D. FOR CABLE O.D. .19-.21 [4.8-5.3mm]
6282-XSG-522	.245 GROMMET I.D. FOR CABLE O.D. .22-.25 [5.6-6.3mm]
6282-XSG-526	.265 GROMMET I.D. FOR CABLE O.D. .25-.27 [6.3-6.8mm]
6282-XSG-528	.280 GROMMET I.D. FOR CABLE O.D. .26-.28 [6.6-7.1mm]

KIT P/N	NO. OF CONTACTS
6282-2SG-5XX	2 #20
6282-3SG-5XX	3 #20
6282-4SG-5XX	4 #20
6282-5SG-5XX	5 #20
6282-6SG-5XX	6 #20
6282-7SG-5XX	7 #20
6282-8SG-5XX	8 #20
6282-XSG-5XX	

GROMMET SIZE  
NO. OF CONTACTS

**FACE VIEWS**

**WIRE VIEWS**



**ASSEMBLED KIT**  
FOR CUSTOMER REFERENCE ONLY

DIMENSIONS IN BRACKETS [ ] ARE METRIC

**CUSTOMER APPROVAL**

THIS DOCUMENT CONTAINS CONFIDENTIAL INFORMATION PROPRIETARY TO CONXALL CORPORATION. ANY REPRODUCTION, DISCLOSURE, OR USE OF THIS DOCUMENT / INFORMATION IS EXPRESSLY PROHIBITED UNLESS AUTHORIZED IN WRITING BY CONXALL CORPORATION.

APPROVED BY: \_\_\_\_\_  
DATE: \_\_\_\_\_

B	MA	02-11-21	UPDATED MANUFACTURING DRAWING PER ECR 9544
A	JD	09-20-17	DRAWING CREATED PER ECR 9065
REV.	INIT.	DATE	DESCRIPTION
	JD	09-20-17	ORIG. DRAWN BY: DATE: JD 09-20-17
ALL INFORMATION ILLUSTRATED IS THE PROPERTY OF "CONXALL CORPORATION". UNAUTHORIZED DUPLICATION OR DISTRIBUTION OF THIS DOCUMENT IS PROHIBITED.			<p>601 E. WILDWOOD VILLA PARK, IL 60181</p>
ALL UNITS ARE IN FEET, INCHES, FRACTION OF INCHES AND DECIMALS.			
APPROVED BY:		TITLE: CABLE CONNECTOR KIT (2-8) #20 SKT. CONTACTS (SOLDER CUP) MINI-CON-X	
SCALE: NTS		CUSTOMER: STANDARD PRODUCT	
FILE: 6282-XSG-5XX	DIRECTORY: SLW	PART NUMBER: 6282-XSG-5XX	REV B

**RoHS COMPLIANT**

CRITICAL CHARACTERISTIC FLAG PER SPEC. XXXX

CUSTOMER PRINT

PART NUMBER: 6282-XSG-5XX