

CUSTOMER PRINT

PART NUMBER: 6380-XSG-3XX(CCX)

- NOTES:
 1. ALL PARTS TO BE BULK PACKED
 2. CONTACTS SUPPLIED UNASSEMBLED
 3. SEE DRAWING HPM1STD FOR HOLE PATTERN
 4. ALL DIMENSIONS ARE REFERENCE EXCEPT THOSE WITH A TOLERANCE

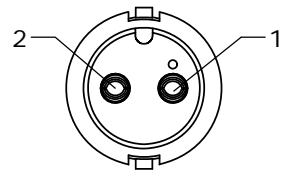
ASS'Y P/N	COUPLING RING COLOR
6380-XSG-3XXCC1	WHITE
6380-XSG-3XXCC2	RED
6380-XSG-3XXCC3	BLUE
6380-XSG-3XXCC4	LIGHT GREY
6380-XSG-3XXCC5	YELLOW
6380-XSG-3XXCC6	MAROON
6380-XSG-3XXCC7	GREEN

KIT P/N	GROMMET SIZE
6380-XSG-3DC	DAISY CHAIN
6380-XSG-311	CABLE O.D. .09-.14 [2.3-3.5mm]
6380-XSG-315	CABLE O.D. .15-.17 [3.8-4.3mm]
6380-XSG-318	CABLE O.D. .18-.20 [4.6-5.1mm]
6380-XSG-321	CABLE O.D. .21-.23 [5.3-5.8mm]

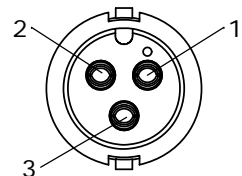
KIT P/N	NO. OF CONTACTS
6380-2SG-3XX	2 #16
6380-3SG-3XX	3 #16
6380-4SG-3XX	4 #16
6380-5SG-3XX	5 #16
6380-XSG-3XX	

GROMMET SIZE FOR SINGLE GROMMET OR "DC" FOR DAISY CHAIN

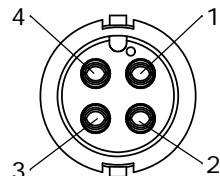
NO. OF CONTACTS



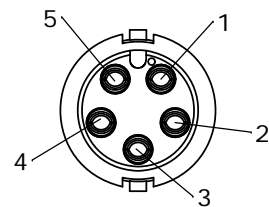
FACE VIEW
6380-2SG-3XX



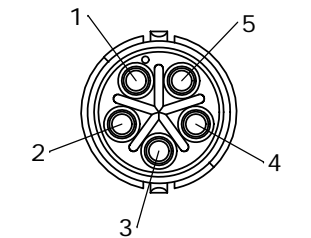
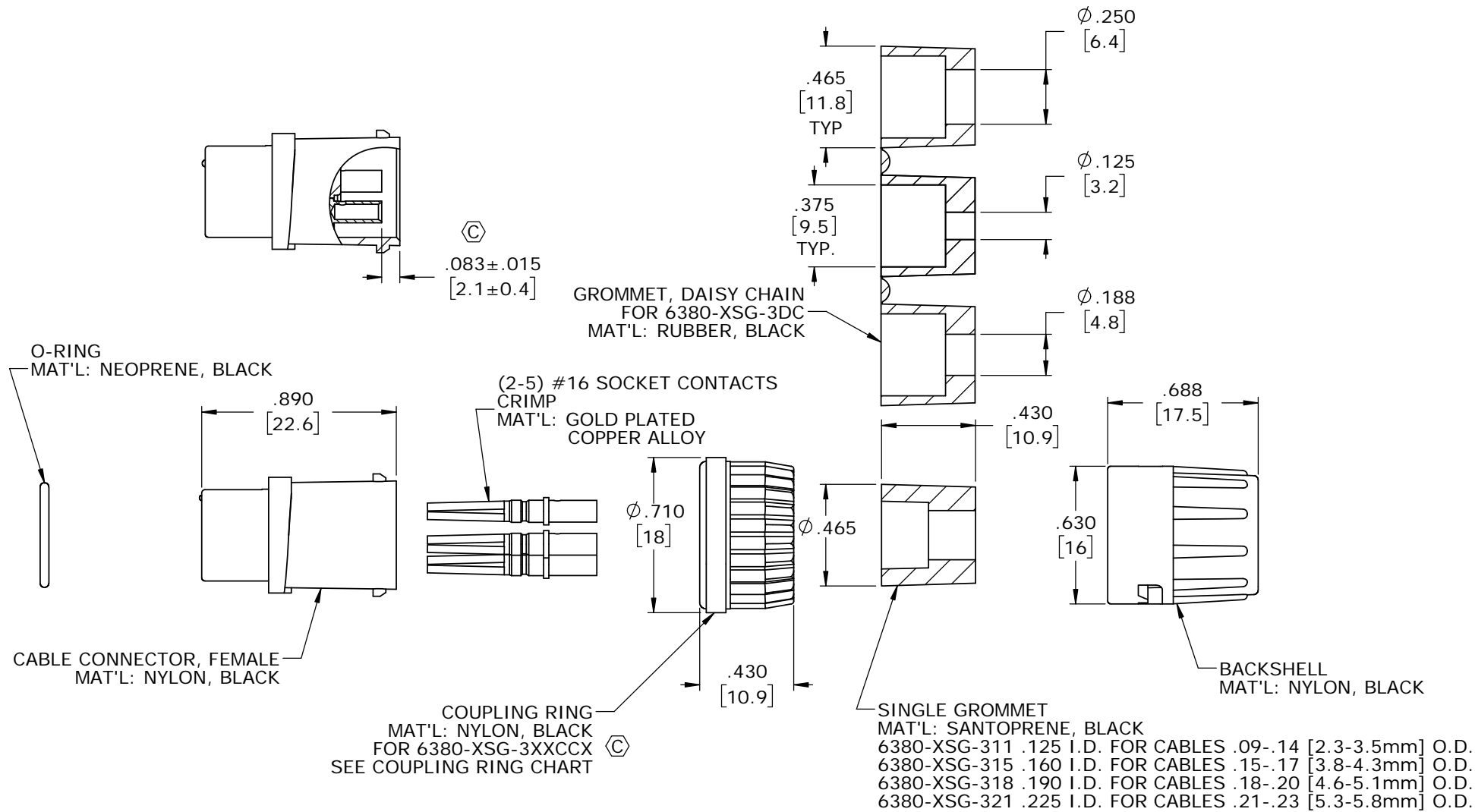
FACE VIEW
6380-3SG-3XX



FACE VIEW
6380-4SG-3XX



FACE VIEW
6380-5SG-3XX



WIRE VIEW
6380-5SG-3XX SHOWN

CUSTOMER APPROVAL

THIS DOCUMENT CONTAINS CONFIDENTIAL INFORMATION PROPRIETARY TO CONXALL CORPORATION. ANY REPRODUCTION, DISCLOSURE, OR USE OF THIS DOCUMENT / INFORMATION IS EXPRESSLY PROHIBITED UNLESS AUTHORIZED IN WRITING BY CONXALL CORPORATION.

APPROVED BY: _____
 DATE: _____

REV.	INIT.	DATE	DESCRIPTION
C	MA	04-17-20	ADDED COUPLING RING CHART AND CONTACT HEIGHT. DRAWING P/N WAS 6380-XSG-3XX PER DOR 20-E149SL-10
B	BZ	11-04-09	CORRECTED DIMENSION, 10.9mm WAS 103.9mm PER ECR 7309
A	BZ	09-29-09	DRAWING CREATED PER DOR 09-E149SL

ALL INFORMATION ILLUSTRATED IS THE PROPERTY OF CONXALL CORPORATION. UNAUTHORIZED DUPLICATION OR DISTRIBUTION OF THIS DOCUMENT IS PROHIBITED.		ORIG. DRAWN BY: BZ	DATE: 08-28-09
ALL UNITS ARE IN FEET, INCHES, FRACTION OF INCHES AND DECIMALS.		CHECKED BY:	
APPROVED BY:		TITLE: CABLE CONNECTOR KIT 2-5 #16 SOCKET CONTACTS MINI-CON-X STANDARD PRODUCT	
SCALE: NTS	SIZE: B	SHEET: 1 OF 1	CUSTOMER: STANDARD PRODUCT
FILE: 6380-XSG-3XX(CCX)	DIRECTORY: SLW	PART NUMBER: 6380-XSG-3XX(CCX)	REV: C

DIMENSIONS IS BRACKETS [] ARE METRIC

RoHS COMPLIANT