

CUSTOMER PRINT

PART NUMBER: 6382-XSG-3XX(CCX)

- NOTES:**  
 1. ALL PARTS TO BE BULK PACKED.  
 2. CONTACTS ASSEMBLED INTO INSERT.  
 3. ALL DIMENSIONS ARE REFERENCE ONLY EXCEPT WHEN NOTED WITH TOLERANCE.

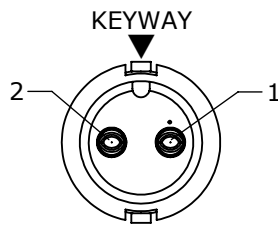
ASS'Y P/N	COUPLING RING COLOR
6382-XSG-3XXCC1	WHITE
6382-XSG-3XXCC2	RED
6382-XSG-3XXCC3	BLUE
6382-XSG-3XXCC4	LIGHT GREY
6382-XSG-3XXCC5	YELLOW
6382-XSG-3XXCC6	MAROON
6382-XSG-3XXCC7	GREEN

KIT P/N	GROMMET SIZE
6382-XSG-3DC	DAISY CHAIN
6382-XSG-311	CABLE O.D. .09-.14 [2.3-3.5mm]
6382-XSG-315	CABLE O.D. .15-.17 [3.8-4.3mm]
6382-XSG-318	CABLE O.D. .18-.20 [4.6-5.1mm]
6382-XSG-321	CABLE O.D. .21-.23 [5.3-5.8mm]

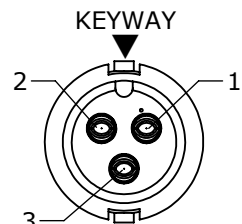
KIT P/N	NO. OF CONTACTS
6382-2SG-3XX	2 #16
6382-3SG-3XX	3 #16
6382-4SG-3XX	4 #16
6382-5SG-3XX	5 #16
6382-XSG-3XX	

GROMMET SIZE FOR SINGLE GROMMET OR "DC" FOR DAISY CHAIN

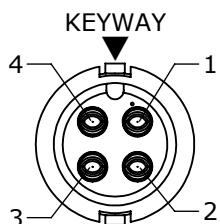
NO. OF CONTACTS



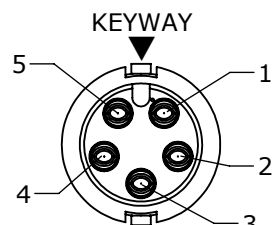
**FACE VIEW**  
6382-2SG-3XX



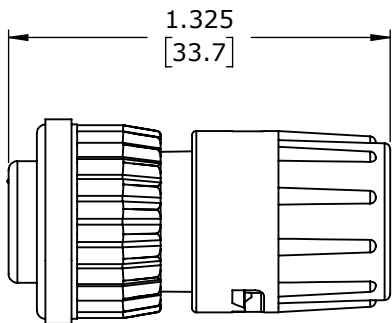
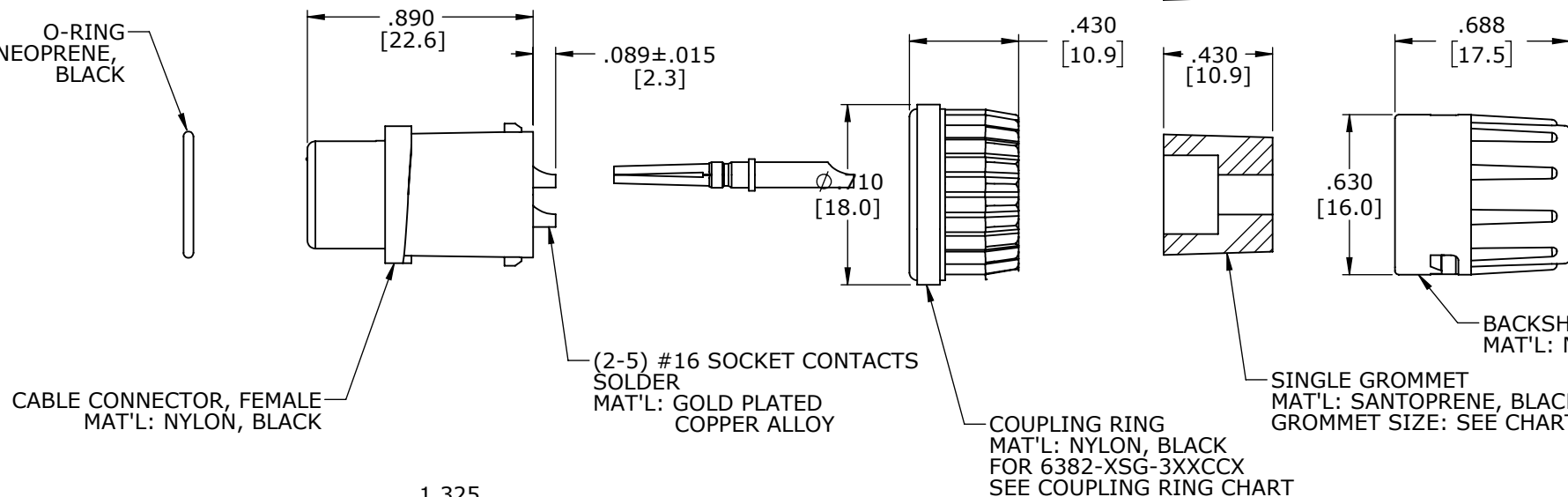
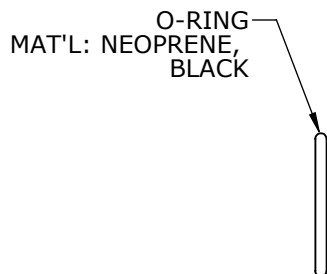
**FACE VIEW**  
6382-3SG-3XX



**FACE VIEW**  
6382-4SG-3XX



**FACE VIEW**  
6382-5SG-3XX



**ASSEMBLED VIEW**  
FOR CUSTOMER REFERENCE ONLY

DIMENSIONS IS BRACKETS [ ] ARE METRIC

**CUSTOMER APPROVAL**

THIS DOCUMENT CONTAINS CONFIDENTIAL INFORMATION PROPRIETARY TO CONXALL CORPORATION. ANY REPRODUCTION, DISCLOSURE, OR USE OF THIS DOCUMENT /INFORMATION IS EXPRESSLY PROHIBITED UNLESS AUTHORIZED IN WRITING BY CONXALL CORPORATION.

APPROVED BY: \_\_\_\_\_  
 DATE: \_\_\_\_\_

REV. A	INIT. AN	DATE 10-19-20	DESCRIPTION DRAWING CREATED PER DOR 15-E253SL #34 SUPERSEDED 6382-4SG-3XX
ALL INFORMATION ILLUSTRATED IS THE PROPERTY OF "CONXALL CORPORATION". UNAUTHORIZED DUPLICATION OR DISTRIBUTION OF THIS DOCUMENT IS PROHIBITED.			601 E. WILDWOOD VILLA PARK, IL 60181
ALL UNITS ARE IN FEET, INCHES, FRACTION OF INCHES AND DECIMALS.			
APPROVED BY: _____ DATE: _____		TITLE: CABLE CONNECTOR KIT (2-5) #16 SOCKET CONTACTS MINI-CON-X CUSTOMER: STANDARD PRODUCT	PART NUMBER: 6382-XSG-3XX(CCX)
SCALE NTS	SIZE B	SHEET 1 OF 1	REV. A

**RoHS COMPLIANT**