

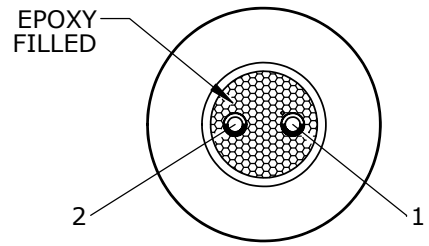
CUSTOMER PRINT

PART NUMBER: 7282-XSG-3ES

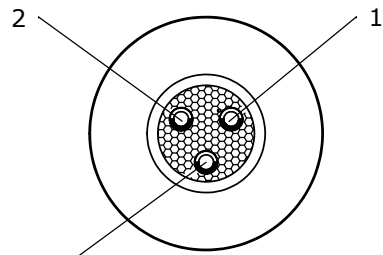
NOTES:

1. ALL PARTS TO BE BULK PACKED.
2. CONTACTS ARE INSTALLED IN CONNECTOR WITH SOLDER CUPS FACING KEYWAY.
3. FILL REAR END OF CONNECTOR WITH BLACK EPOXY
4. ALL DIMENSIONS ARE REFERENCE UNLESS OTHERWISE SPECIFIED

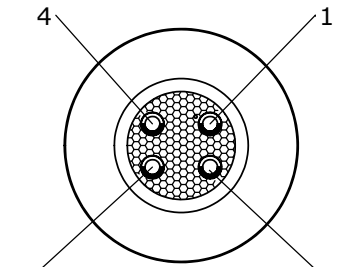
| ASSY P/N | CONTACT QTY. | "X" DIM. | "Y" DIM. | EPOXY |
|--------------|--------------|--------------|-------------|-------|
| 7282-2SG-3ES | 2 | .142 [3.6mm] | .155[3.9mm] | YES |
| 7282-3SG-3ES | 3 | .189 [4.8mm] | .108[2.7mm] | |
| 7282-4SG-3ES | 4 | .142 [3.6mm] | .155[3.9mm] | |
| 7282-5SG-3ES | 5 | .142 [3.6mm] | .155[3.9mm] | |
| 7282-6SG-3ES | 6 | .189 [4.8mm] | .108[2.7mm] | |



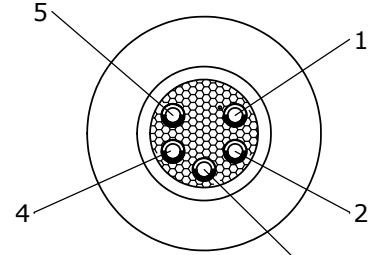
WIRE VIEW
7282-2SG-3ES



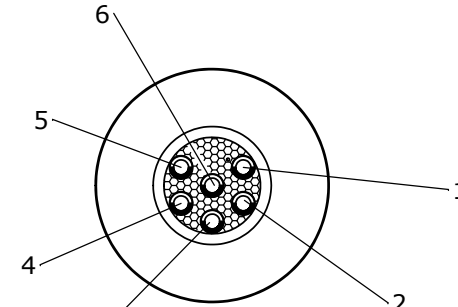
WIRE VIEW
7282-3SG-3ES



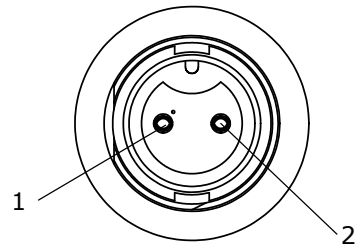
WIRE VIEW
7282-4SG-3ES



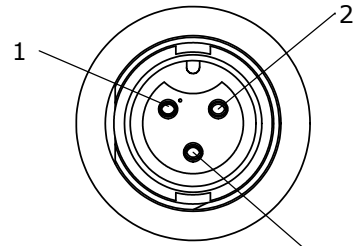
WIRE VIEW
7282-5SG-3ES



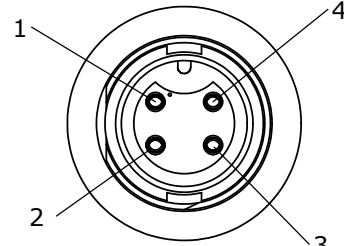
WIRE VIEW
7282-6SG-3ES



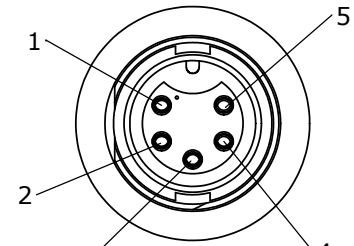
FACE VIEW
7282-2SG-3ES



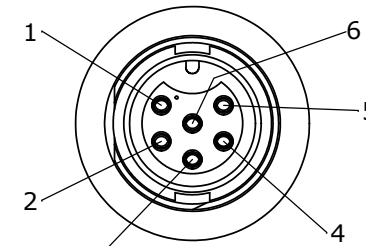
FACE VIEW
7282-3SG-3ES



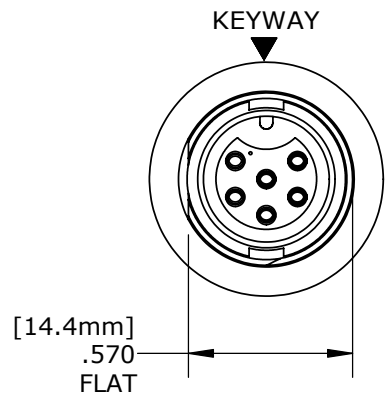
FACE VIEW
7282-4SG-3ES



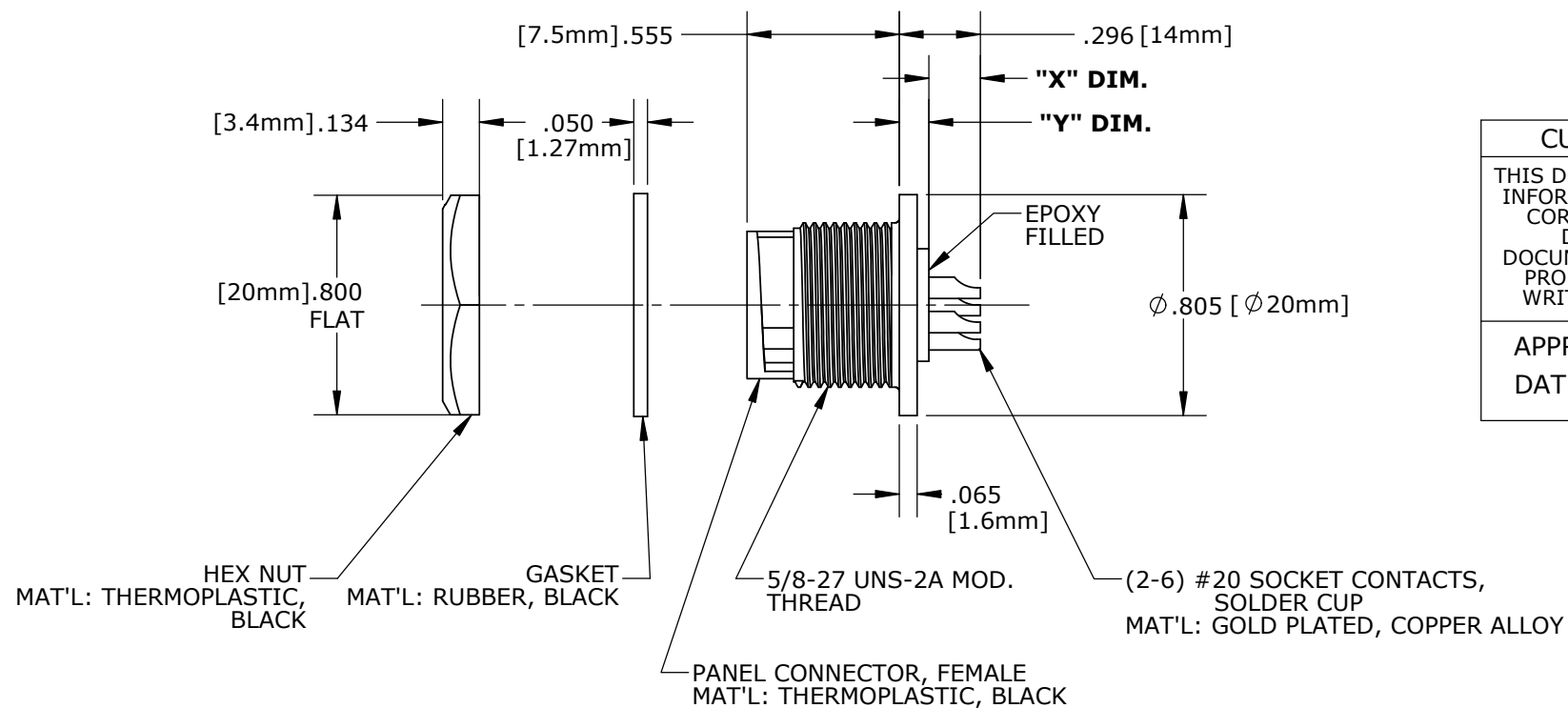
FACE VIEW
7282-5SG-3ES



FACE VIEW
7282-6SG-3ES



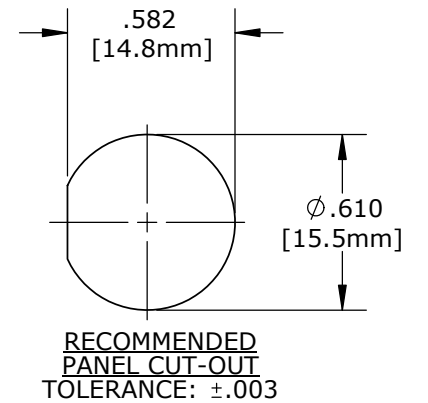
FACE VIEW
7282-6SG-3ES SHOWN



CUSTOMER APPROVAL

THIS DOCUMENT CONTAINS CONFIDENTIAL INFORMATION PROPRIETARY TO CONXALL CORPORATION. ANY REPRODUCTION, DISCLOSURE, OR USE OF THIS DOCUMENT /INFORMATION IS EXPRESSLY PROHIBITED UNLESS AUTHORIZED IN WRITING BY CONXALL CORPORATION.

APPROVED BY: _____
 DATE: _____



DIMENSIONS IN BRACKET [] ARE METRIC.

RoHS COMPLIANT

| | | | | |
|--------------|------------|--------------|--|--|
| A | JD | 02-24-16 | DRAWING CREATED PER DOR 15-E253SL(4) | |
| REV. | INIT. | DATE | DESCRIPTION | |
| | JD | 02-24-16 | ALL INFORMATION ILLUSTRATED IS THE PROPERTY OF "CONXALL CORPORATION". UNAUTHORIZED DUPLICATION OR DISTRIBUTION OF THIS DOCUMENT IS PROHIBITED. ALL UNITS ARE IN FEET, INCHES, FRACTION OF INCHES AND DECIMALS. - CRITICAL CHARACTERISTIC FLAG PER SPEC. XXXX | |
| APPROVED BY: | | | 601 E. WILDWOOD VILLA PARK, IL 60181 | |
| TITLE: | | | PANEL MOUNT ASSEMBLY (2-6) SOCKET CONTACTS, SOLDER CUP MINI-CON-X WITH EPOXY STANDARD PRODUCT | |
| SCALE | SIZE | SHEET | CUSTOMER: | |
| NTS | B | 1 OF 1 | 7282-XSG-3ES | |
| FILE: | DIRECTORY: | PART NUMBER: | REV | |
| 7282-XSG-3ES | SLW | 7282-XSG-3ES | A | |