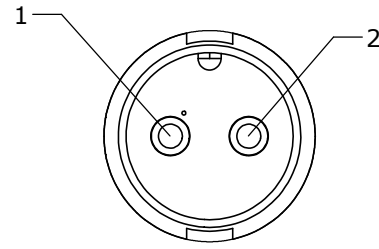
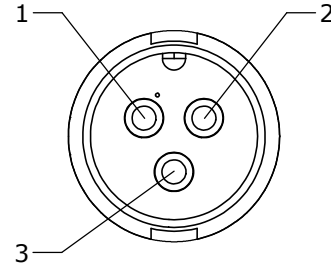


ASSY P/N	CONTACT QTY.	"X" DIM.	PIN HEIGHT DIM.	EPOXY
7382-2PG-3ES	2	.156 [4.0mm]	.243±.015 [6.17mm]	YES
7382-3PG-3ES	3	.168 [4.3mm]	.220±.015 [5.58mm]	
7382-4PG-3ES	4	.168 [4.3mm]	.217±.015 [5.51mm]	
7382-5PG-3ES	5	.128 [3.3mm]	.188±.015 [4.77mm]	

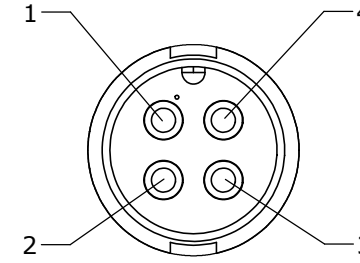
- NOTES:**
1. ALL PARTS TO BE BULK PACKED.
2. CONTACTS ARE INSTALLED IN CONNECTOR.
3. ALL DIMENSIONS ARE REFERENCE ONLY.



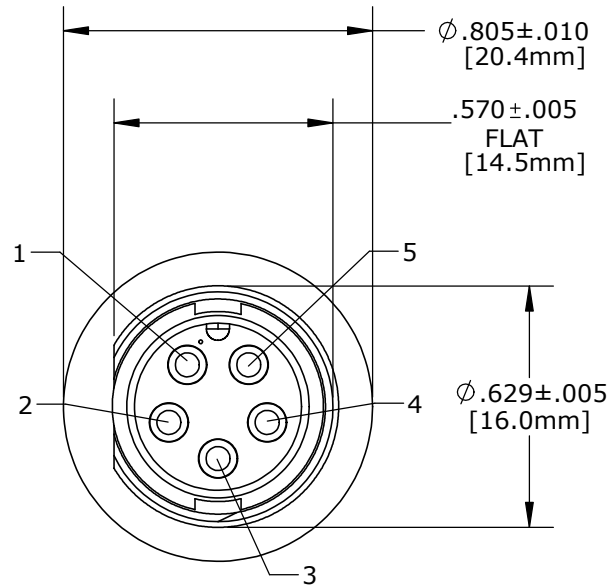
MATING FACE
ASSY: 7382-2PG-3ES



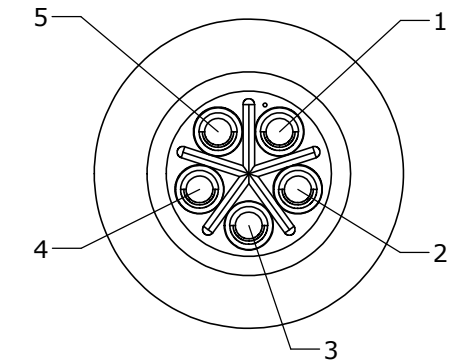
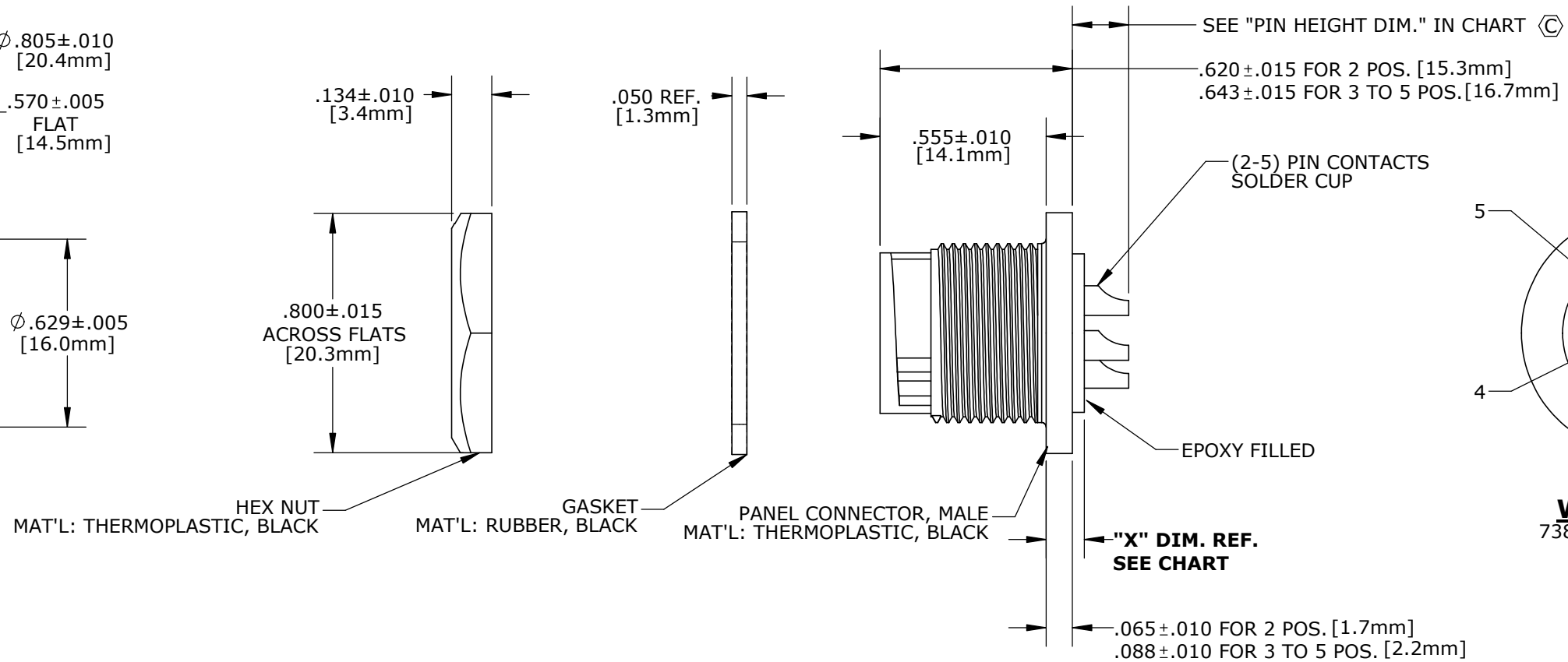
MATING FACE
ASSY: 7382-3PG-3ES



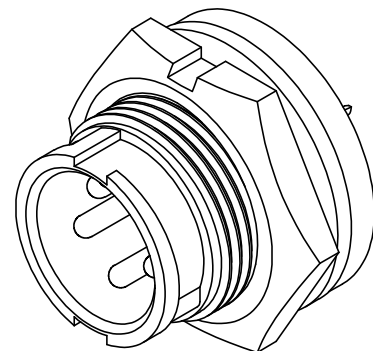
MATING FACE
ASSY: 7382-4PG-3ES



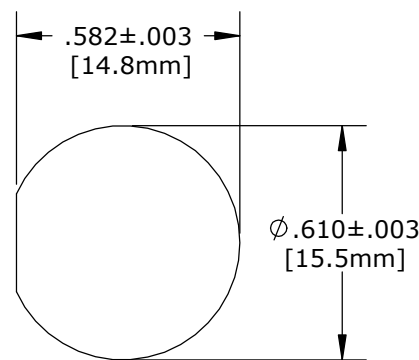
MATING FACE
ASSY: 7382-5PG-3ES



WIRING END
7382-5PG-3ES SHOWN



ASSEMBLED VIEW
FOR CUSTOMER REFERENCE ONLY
7382-5PG-3ES SHOWN



**RECOMMENDED
PANEL CUT-OUT**

CUSTOMER APPROVAL

THIS DOCUMENT CONTAINS CONFIDENTIAL INFORMATION PROPRIETARY TO CONXALL CORPORATION. ANY REPRODUCTION, DISCLOSURE, OR USE OF THIS DOCUMENT / INFORMATION IS EXPRESSLY PROHIBITED UNLESS AUTHORIZED IN WRITING BY CONXALL CORPORATION.

APPROVED BY: _____
DATE: _____

DIMENSIONS IN BRACKET [] ARE METRIC.

RoHS COMPLIANT

C	JD	01-21-14	ADDED PIN HEIGHT COLUMN TO CHART PER ECR 8197
B	PD	10-03-12	UPDATE MANUFACTURING DRAWING PER ECR 8312
A	BZ	05-08-09	DRAWING CREATED PER DOR 09-E149SL
REV.	INIT.	DATE	DESCRIPTION
			ALL INFORMATION ILLUSTRATED IS THE PROPERTY OF "CONXALL CORPORATION". UNAUTHORIZED DUPLICATION OR DISTRIBUTION OF THIS DOCUMENT IS PROHIBITED.
			ALL UNITS ARE IN FEET, INCHES, FRACTION OF INCHES AND DECIMALS.
ORIG. DRAWN BY:		DATE:	 601 E. WILDWOOD VILLA PARK, IL 60181
BZ		05-08-09	
CHECKED BY:			
APPROVED BY:		TITLE: PANEL MOUNT ASSEMBLY (2-5) PIN CONTACTS MINI-CON-X WITH EPOXY STANDARD PRODUCT	
SCALE	SIZE	SHEET	CUSTOMER:
NTS	B	1 OF 1	7382-XPG-3ES
FILE:	DIRECTORY:	PART NUMBER:	REV
7382-XPG-3ES	SLW	7382-XPG-3ES	c

CUSTOMER PRINT

PART NUMBER: 7382-XPG-3ES