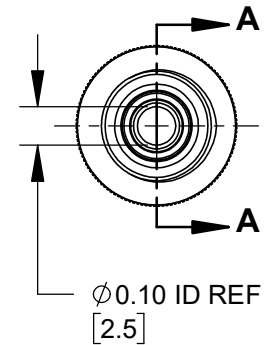
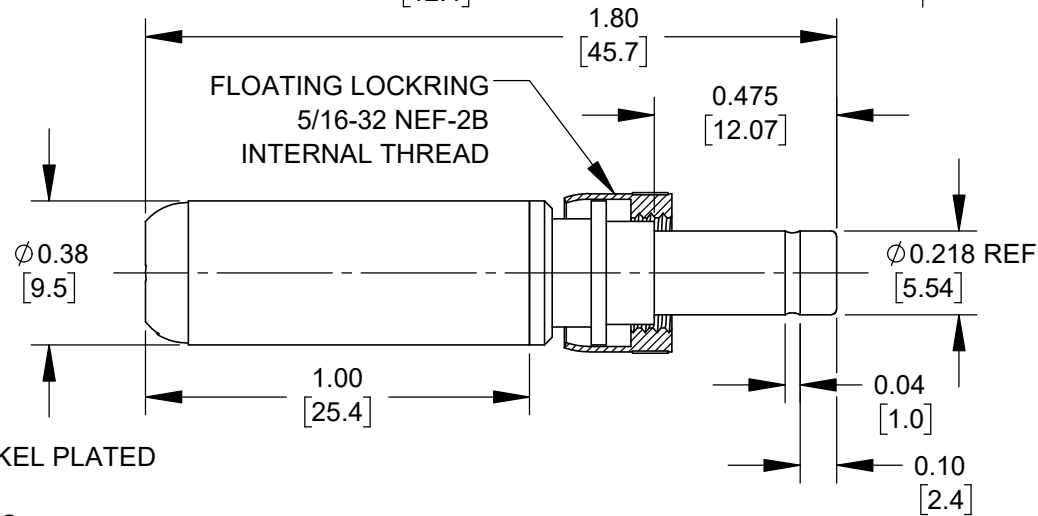
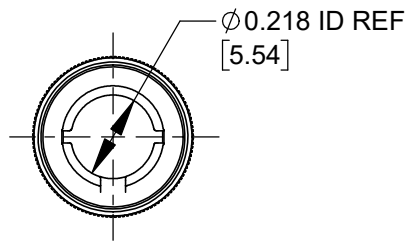


| PART NUMBER | HANDLE COLOR |
|-------------|--------------|
| 761KZ | BLACK |
| 766KZ | RED |



NOTES:

1. MATERIALS:

- CONDUCTORS & LOCKRING - BRASS, NICKEL PLATED
- TERMINALS - BRASS, TIN PLATED
- INSULATORS & HANDLE - THERMOPLASTIC

2. THIS PRODUCT IS RoHS COMPLIANT

CUSTOMER DRAWING

THIS DRAWING DESCRIBES A DESIGN CONSIDERED PROPRIETARY IN NATURE, DEVELOPED AND MANUFACTURED BY SWITCHCRAFT INC. AND IS RELEASED ON A CONFIDENTIAL BASIS FOR IDENTIFICATION PURPOSES ONLY.

UNLESS OTHERWISE SPECIFIED

- 1. ALL DIMENSIONS IN INCHES [mm]
- TWO PLACE DECIMALS ±0.02 [0.5]
- THREE PLACE DECIMALS ±0.005 [0.13]

| | | | | |
|--|---------|-----------|-------------|----------|
| SIZE * | WIDTH * | MULT * | LBS/M * | TEMPER * |
| FINISH * | | | MATERIAL * | |
| SPEC No. * | | | SPEC No. * | |
| FIRST USED ON * | | SCALE 2:1 | | |
| DATE DRAWN | BY | CHKD | APVD | |
| 10/24/19 | AM | AM | AM | |
| | | 03/06/24 | 03/06/24 | |
| NAME | | | PART No. | REV |
| Ø 0.10 [2.5]mm x 0.475 LONG IMPROVED POWER PLUG W/LOCKRING, RoHS | | | 761KZ-766KZ | A |

Switchcraft®

SHEET 1 OF 1

DO NOT SCALE DRAWING

SolidWorks CAD File



| REV | ECO NUMBER | DATE | BY | APVD |
|-----------|------------|----------|----|------|
| A | 28644 | 02/14/24 | PC | TJK |
| REVISIONS | | | | |