

CUSTOMER PRINT

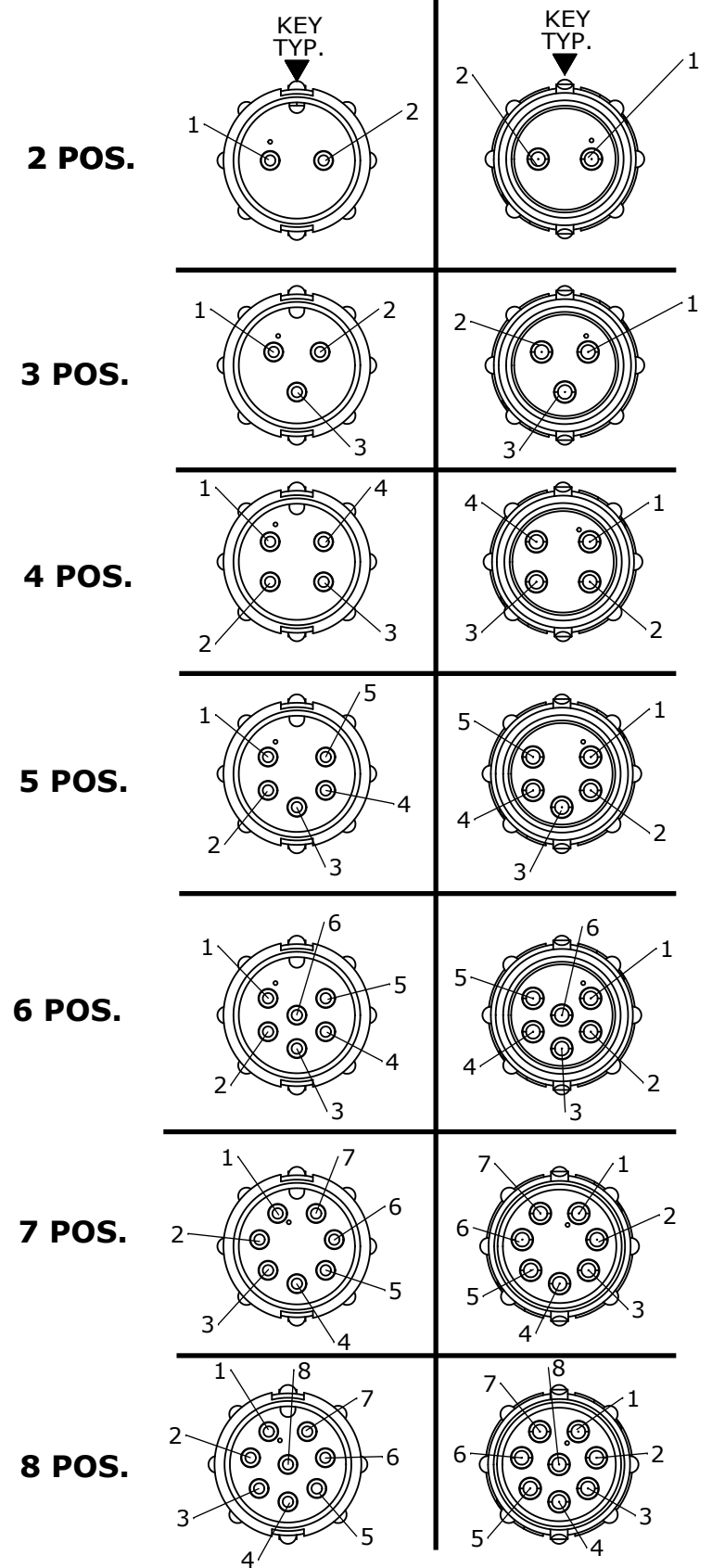
PART NUMBER: 8282-XPG-3XX

ASSY P/N	GROMMET FOR CABLE O.D.
8282-XPG-3DC	DAISY CHAIN
8282-XPG-311	0.09-0.14 [2.3-3.5mm]
8282-XPG-315	0.15-0.17 [3.8-4.3mm]
8282-XPG-318	0.18-0.20 [4.6-5.1mm]
8282-XPG-321	0.21-0.23 [5.3-5.8mm]

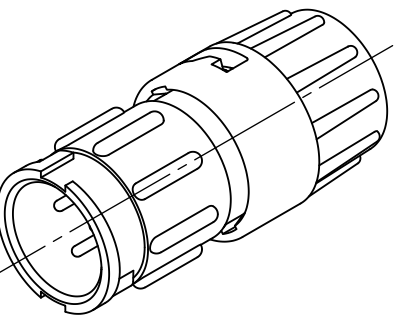
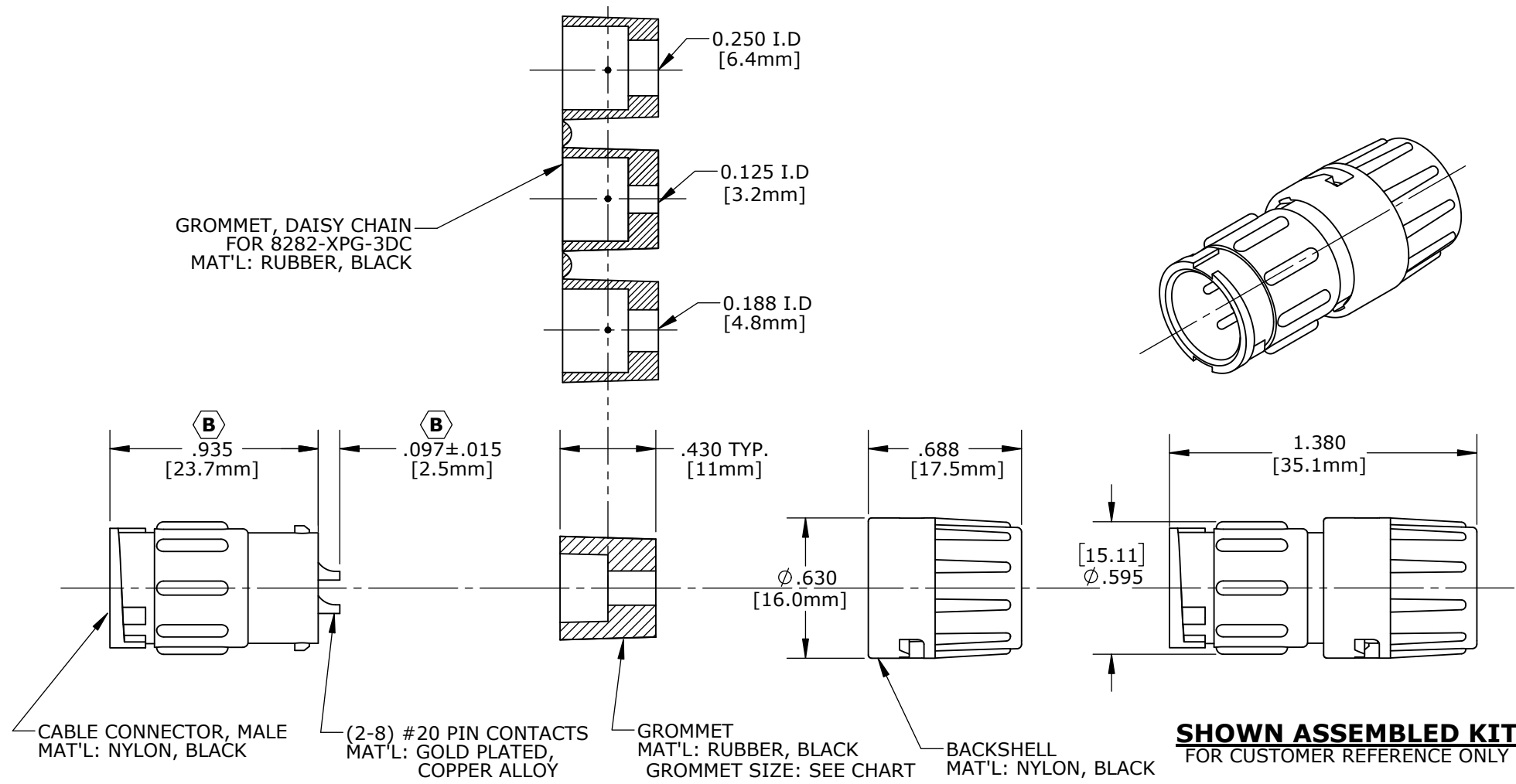
KIT P/N	NO. OF CONTACTS
8282-2PG-3XX	(2)-#20
8282-3PG-3XX	(3)-#20
8282-4PG-3XX	(4)-#20
8282-5PG-3XX	(5)-#20
8282-6PG-3XX	(6)-#20
8282-7PG-3XX	(7)-#20
8282-8PG-3XX	(8)-#20
8282-XPG-3XX	

- NOTES:**
1. ALL PARTS TO BE BULK PACKED.
 2. CONTACTS ARE INSTALLED INTO CONNECTOR.
 3. ALL DIMENSIONS ARE REFERENCE UNLESS OTHERWISE STATED.
 4. SEE DRAWING HPMISTD FOR HOLE PATTERNS.

FACE VIEWS WIRING VIEWS



GROMMET SIZE FOR SINGLE GROMMET OR "DC" FOR DAISY CHAIN
NO. OF CONTACTS



SHOWN ASSEMBLED KIT
FOR CUSTOMER REFERENCE ONLY

CUSTOMER APPROVAL

THIS DOCUMENT CONTAINS CONFIDENTIAL INFORMATION PROPRIETARY TO CONXALL CORPORATION. ANY REPRODUCTION, DISCLOSURE, OR USE OF THIS DOCUMENT /INFORMATION IS EXPRESSLY PROHIBITED UNLESS AUTHORIZED IN WRITING BY CONXALL CORPORATION.

APPROVED BY: _____
DATE: _____

DIMENSIONS IN BRACKET [] ARE METRIC.

RoHS COMPLIANT

B	JD	10-13-17	UPDATED CONNECTOR AND PIN HEIGHT PER ECR 9020
A	AN	11-03-11	DRAWING CREATED PER DOR 11-E149SL
REV.	INIT.	DATE	DESCRIPTION
	AN	11-01-11	ALL INFORMATION ILLUSTRATED IS THE PROPERTY OF CONXALL CORPORATION. UNAUTHORIZED DUPLICATION OR DISTRIBUTION OF THIS DOCUMENT IS PROHIBITED.
APPROVED BY:			<p>601 E. WILDWOOD VILLA PARK, IL 60181</p>
SCALE	SIZE	SHEET	
NTS	B	1 OF 1	TITLE: CABLE TO CABLE CONN. ASSY (2-8) #20 PIN CONTACTS, SOLDER MINI-CON-X
FILE:	DIRECTORY:	PART NUMBER:	CUSTOMER: STANDARD PRODUCT
8282-XPG-3XX	SLW	8282-XPG-3XX	