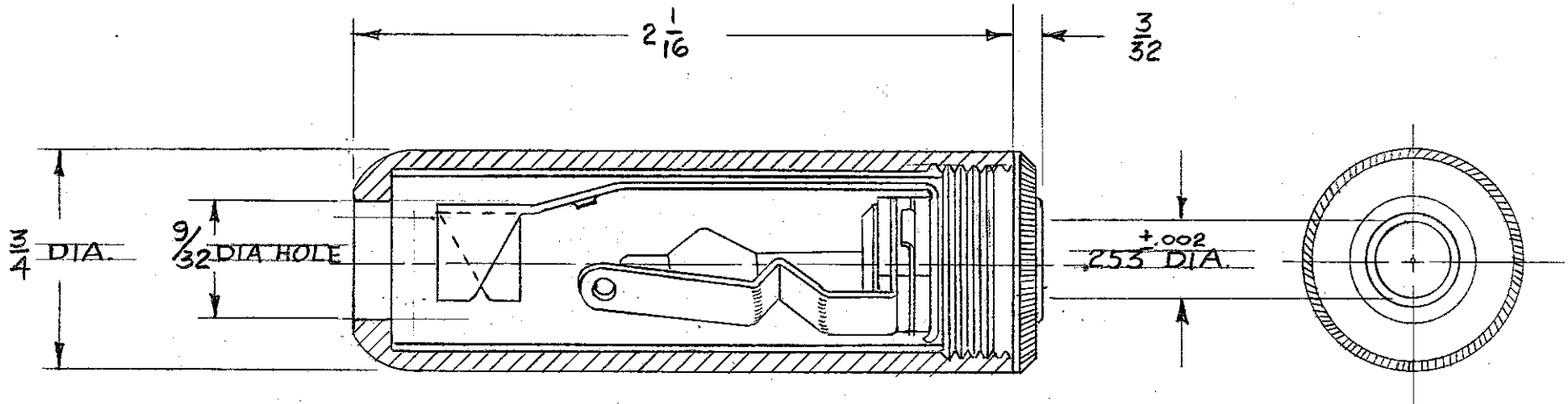


PART NO.

838



SPECIFICATION

- 1 BODY - BRASS - NICKEL PLATED
- 2 HANDLE - GENERAL PURPOSE PHENOLIC - BLACK
- 3 TIP SPRING - NICKEL SILVER - SPRING TEMPERED
- 4 INSULATORS - BAKELITE
- 5 SLEEVE TERMINAL - HOT TINNED
- 6 BUSHING IS ALLOWED TO TURN AROUND BODY OF PLUG.

J.S.S.	REVISIONS BY DATE 2. ADDED NOTE 6 3/21/55	NOTE 1-DECIMAL DIMENSION $\pm .005$. 2-FRACTIONAL DIMENSION $\pm 1/64$. 3-ANGLES $\pm 1/2^\circ$. 4-REMOVE ALL BURRS. 5-DO NOT SCALE DRAWING. 6-ALL DIMENSIONS IN INCHES. 7-SUBJECT TO CHANGE WITHOUT NOTICE. ALWAYS OBTAIN NEW PRINT FOR EACH ORDER. 8-FOR THREADS USE PLUG AND RING GAGES ONLY.	MATERIAL		DRAWN BY MA	DATE 3-29-55
			SIZE	WIDTH	CHECKED L.D.	DATE 3-29-55
			MULT.	LBS. PER M	APPROVED S.H.	DATE 3-31-55
			USED ON	FINISH	REQ. 2	SCALE 2=1
		SWITCHCRAFT, INC. 5555 N. ELSTON CHICAGO 30, ILL.	NAME EXTENSION JACK		ISSUE 2	DATE
					PART NO. 838	