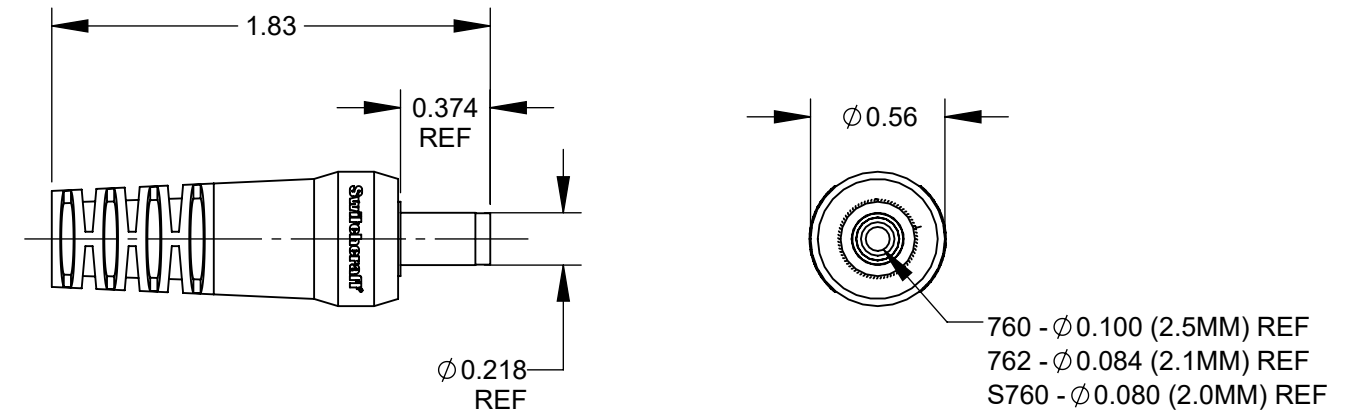


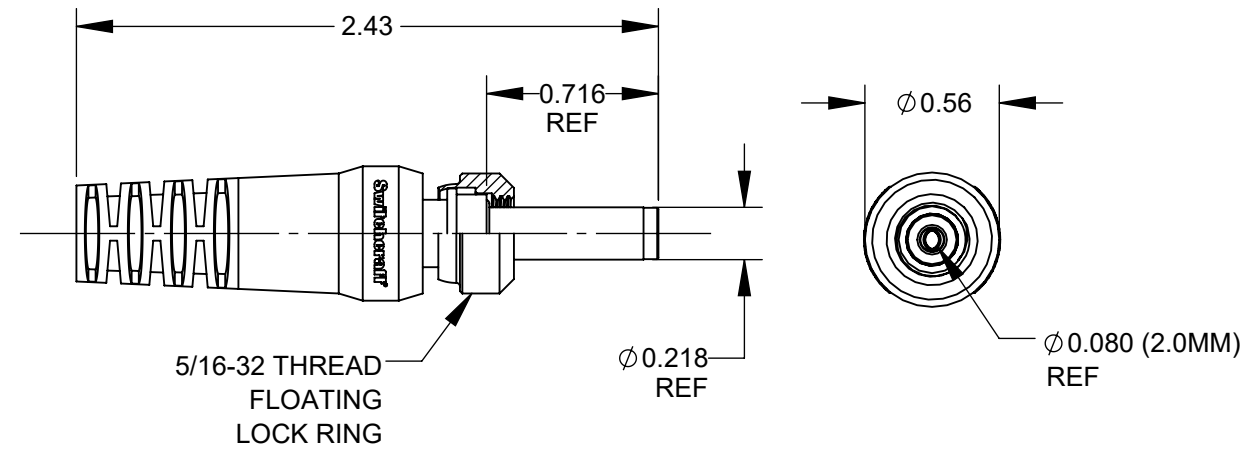
**FIGURE 1**  
**761KS, 767KS, AND S761KS SERIES**  
**SEALED PLUGS**

761KS -  $\phi$ 0.100 (2.5MM) REF  
767KS -  $\phi$ 0.084 (2.1MM) REF  
S761KS -  $\phi$ 0.080 (2.0MM) REF



**FIGURE 4**  
**760, 762, AND S760 SERIES**  
**NON-LOCKING POWER PLUGS**

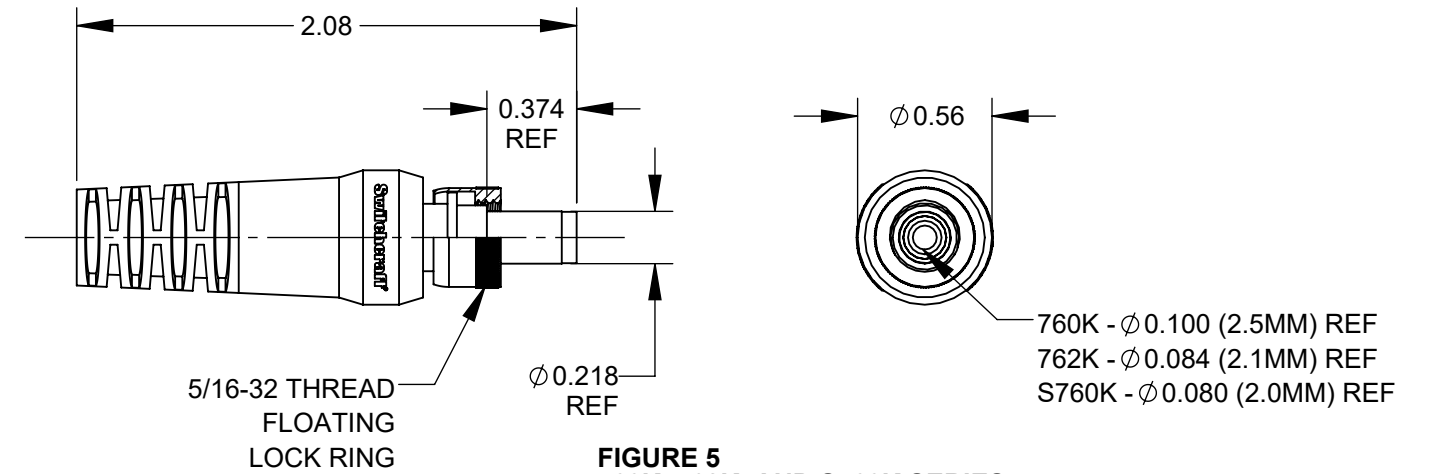
760 -  $\phi$ 0.100 (2.5MM) REF  
762 -  $\phi$ 0.084 (2.1MM) REF  
S760 -  $\phi$ 0.080 (2.0MM) REF



**FIGURE 2**  
**S10KS SERIES**  
**SEALED HI-AMP PLUG**

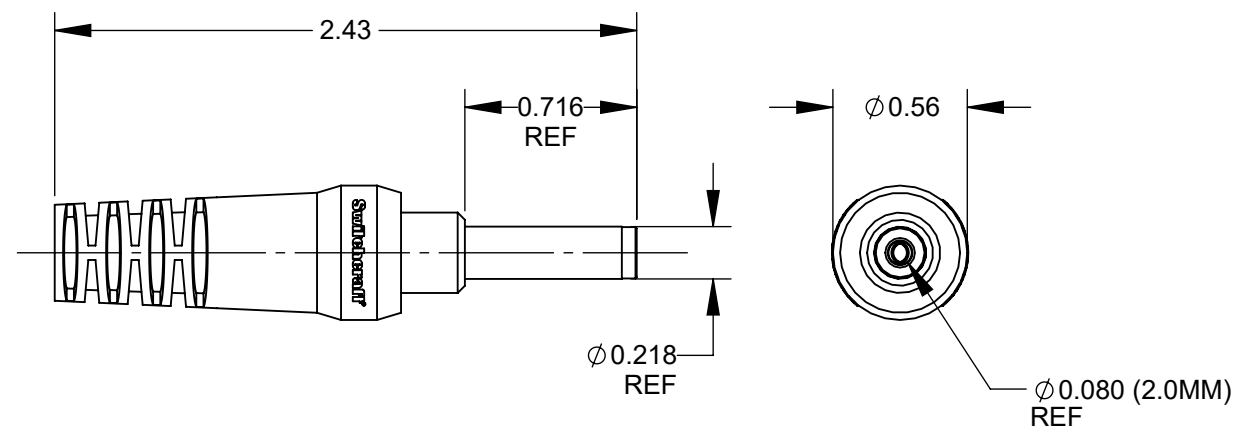
5/16-32 THREAD  
FLOATING  
LOCK RING

$\phi$ 0.080 (2.0MM)  
REF



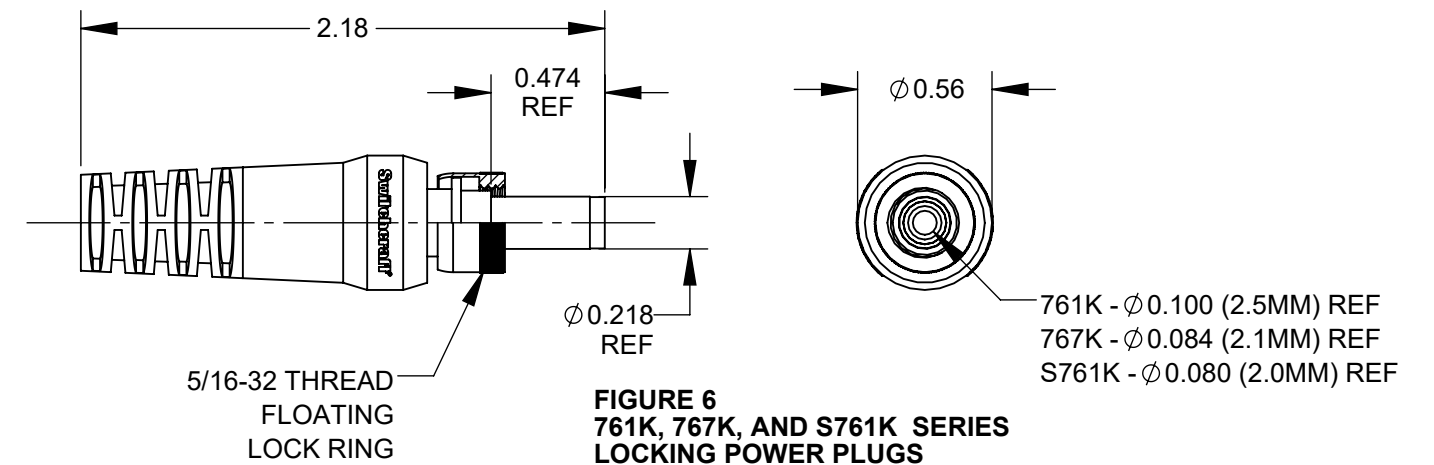
**FIGURE 5**  
**760K, 762K, AND S760K SERIES**  
**LOCKING POWER PLUG**

760K -  $\phi$ 0.100 (2.5MM) REF  
762K -  $\phi$ 0.084 (2.1MM) REF  
S760K -  $\phi$ 0.080 (2.0MM) REF



**FIGURE 3**  
**S10 SERIES NON-SEALED**  
**NON-LOCKING HI-AMP PLUG**

$\phi$ 0.080 (2.0MM)  
REF



**FIGURE 6**  
**761K, 767K, AND S761K SERIES**  
**LOCKING POWER PLUGS**

761K -  $\phi$ 0.100 (2.5MM) REF  
767K -  $\phi$ 0.084 (2.1MM) REF  
S761K -  $\phi$ 0.080 (2.0MM) REF

SCALE 1.25:1	<b>Switchcraft</b> <sup>®</sup>	
DATE DRAWN 09/04/25		
DRAWN BY TS	PART No. CA_Power_Plugs	REV A