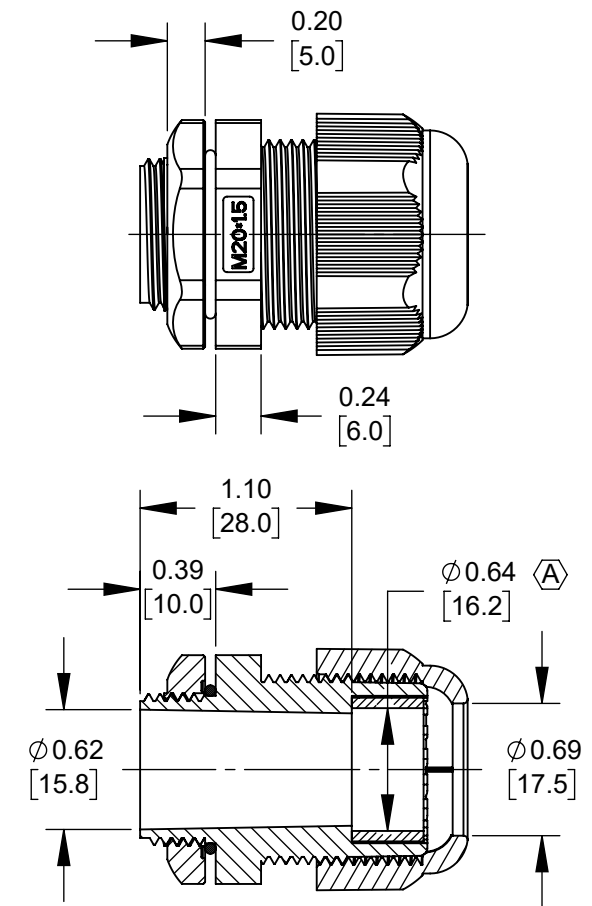
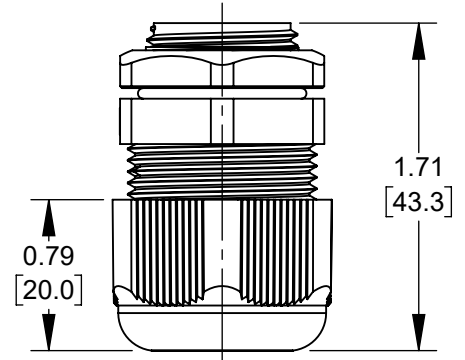
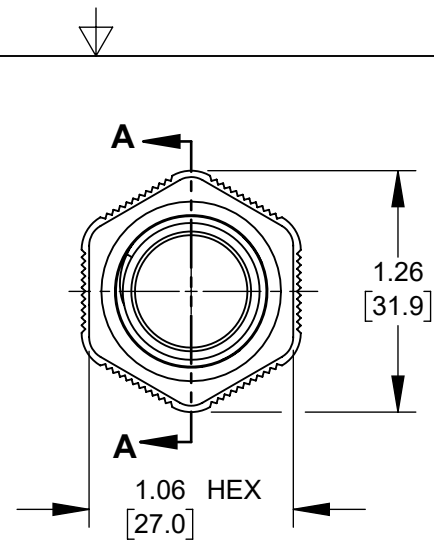


- NOTES:**
1. CABLE RANGE: $\varnothing 0.315-0.630$ [8.0-16.0].
 2. RECOMMENDED MOUNTING HOLE: $\varnothing 0.813$ [20.64].
 3. IP68 RATED WHEN PROPERLY ASSEMBLED. IMMERSED IN 1.8M WATER FOR 24 HOURS.
 4. ALL PARTS SHIPPED ASSEMBLED.
 5. MATERIALS:
 SEAL NUT, CLAMP NUT, HEX NUT - BLACK, THERMOPLASTIC UL746C (F1) UV RATED
 O-RING AND SEAL RING - BLACK, SILICONE.
 6. THIS PRODUCT IS RoHS COMPLIANT.



SECTION A-A

CUSTOMER DRAWING

					THIS DRAWING DESCRIBES A DESIGN CONSIDERED PROPRIETARY IN NATURE, DEVELOPED AND MANUFACTURED BY SWITCHCRAFT INC. AND IS RELEASED ON A CONFIDENTIAL BASIS FOR IDENTIFICATION PURPOSES ONLY.				
					SIZE	WIDTH	MULT	LBS/M	TEMPER
					FINISH			MATERIAL	
					SPEC No.			SPEC No.	
					FIRST USED ON			SCALE	
					DATE DRAWN			BY	
					5/4/20			FM	
					CHKD			APVD	
					FM			TJK	
					5/4/20			7/10/20	
C	28375	03/30/21	PC	TJK	DO NOT SCALE DRAWING NAME M20 X 1.5 CABLE GLAND, CABLE RANGE Ø8.0 - 16.0mm				
B	28315	09/09/20	PC	TJK					
A	28308	07/31/20	PC	TJK					
REV	ECO NUMBER	DATE	BY	APVD	NAME			PART No.	
REVISIONS					M20 X 1.5 CABLE GLAND, CABLE RANGE Ø8.0 - 16.0mm			CGM20N63	