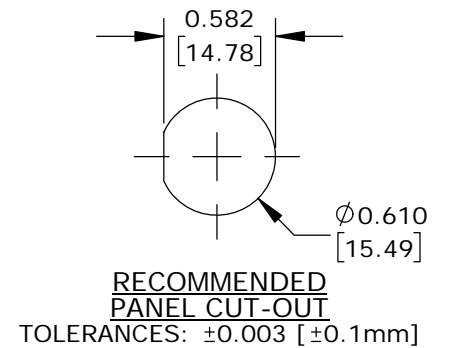


**NOTES:**

1. PRODUCT IS RATED AT IP67 & IP68, NEMA 250 (6P) WHEN MATED.
2. PRODUCT IS TESTED PER USB 2.0 SPECIFICATIONS.
3. OPERATING TEMPERATURE: -20°C TO +75°C.
4. RECOMMENDED PANEL THICKNESS: 0.031 - 0.187in [0.8 - 4.8mm].
5. MATERIALS:  
 PANEL HOUSING & HEX NUT: THERMOPLASTIC.  
 GASKET: ELASTOMER.  
 PRINTED CIRCUIT BOARD (PCB): FR-4.  
 INSULATOR: THERMOPLASTIC UL94V-0, BLACK.  
 HEADER CONTACTS: COPPER ALLOY, GOLD PLATED.  
 USB MINI B RECEPTACLE SHELL: COPPER ALLOY, NICKEL PLATED.  
 USB MINI B RECEPTACLE CONTACTS: COPPER ALLOY, GOLD PLATED (CONTACT AREA).
6. ENVIRONMENTAL & MECHANICAL SPECIFICATIONS (WHEN MATED):  
 MOISTURE RESISTANCE: MIL-STD 202G METHOD 106G.  
 INSULATION RESISTANCE: MIL-STD 202G METHOD 302G.  
 THERMAL SHOCK: MIL-STD 202G METHOD 107G.  
 VIBRATION: MIL-STD 202G METHOD 201A.  
 SALT SPRAY: MIL-STD 202G METHOD 101E.
7. PARTS SHIPPED BULK PACKAGED, UNASSEMBLED.



DIMENSIONS IN BRACKET [ ] ARE METRIC.

**RoHS COMPLIANT**

|  |            |                     |   |
|--|------------|---------------------|---|
| B  | MA         | 06-22-17            | UPDATED MAUNUFACTURING PROCESS PER ECR 8760                       |
|  | AN         | 02-25-13            | REVISED TO CXA STANDARD AND RELEASED                              |
| A  | JGK        | 08-02-12            | DRAWING CREATED PER PROJECT #09013-A.                             |
| REV.   | INIT.      | DATE                | DESCRIPTION   |
| ALL INFORMATION ILLUSTRATED IS THE PROPERTY OF CONXALL CORPORATION. UNAUTHORIZED DUPLICATION OR DISTRIBUTION OF THIS DOCUMENT IS PROHIBITED. |            | ORIG. DRAWN BY: JGK | DATE: 08/02/12  |
| ALL UNITS ARE IN FEET, INCHES, FRACTION OF INCHES AND DECIMALS.  |            | CHECKED BY:         |   |
| - CRITICAL CHARACTERISTIC FLAG PER SPEC. XXXX  |            | APPROVED BY:        |   |
| SCALE  | SIZE       | SHEET               | TITLE:  |
| NTS  | B          | 1 OF 1              | USB MINI-B PANEL SERIES FOR INDUSTRIAL DATA CONNECTORS DATA-CON-X |
| FILE:  | DIRECTORY: | PART NUMBER:        | CUSTOMER: STANDARD PRODUCT  |
| DCP-USBNB-XXXX_CD  | SLW        | DCP-USBNB-XXXX_CD   | REV B   |