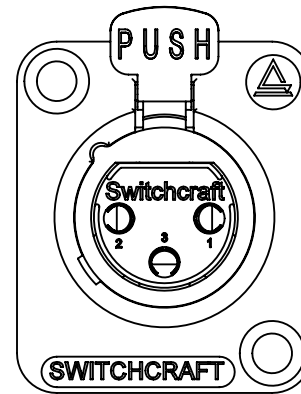
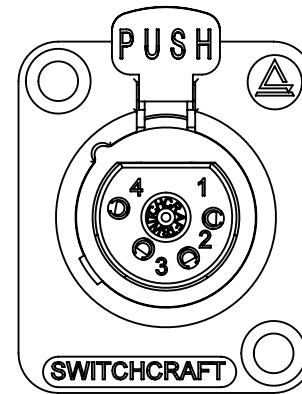


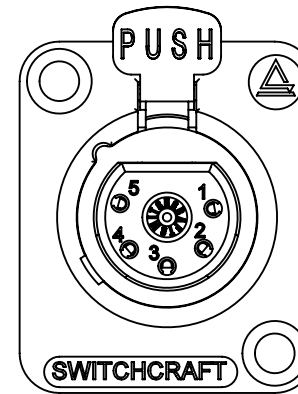
DETENT VERSION
DE5FDB SHOWN



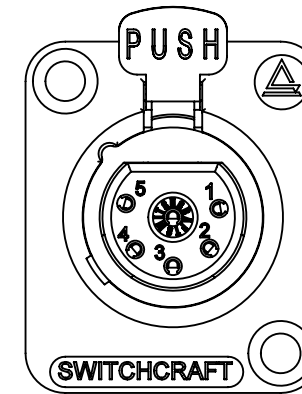
DE3F
3 PIN



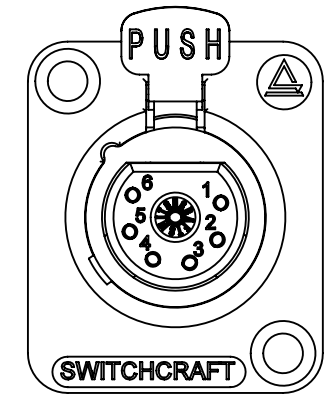
DE4F
4 PIN



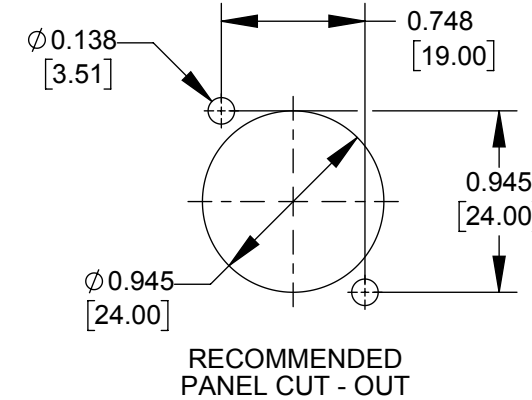
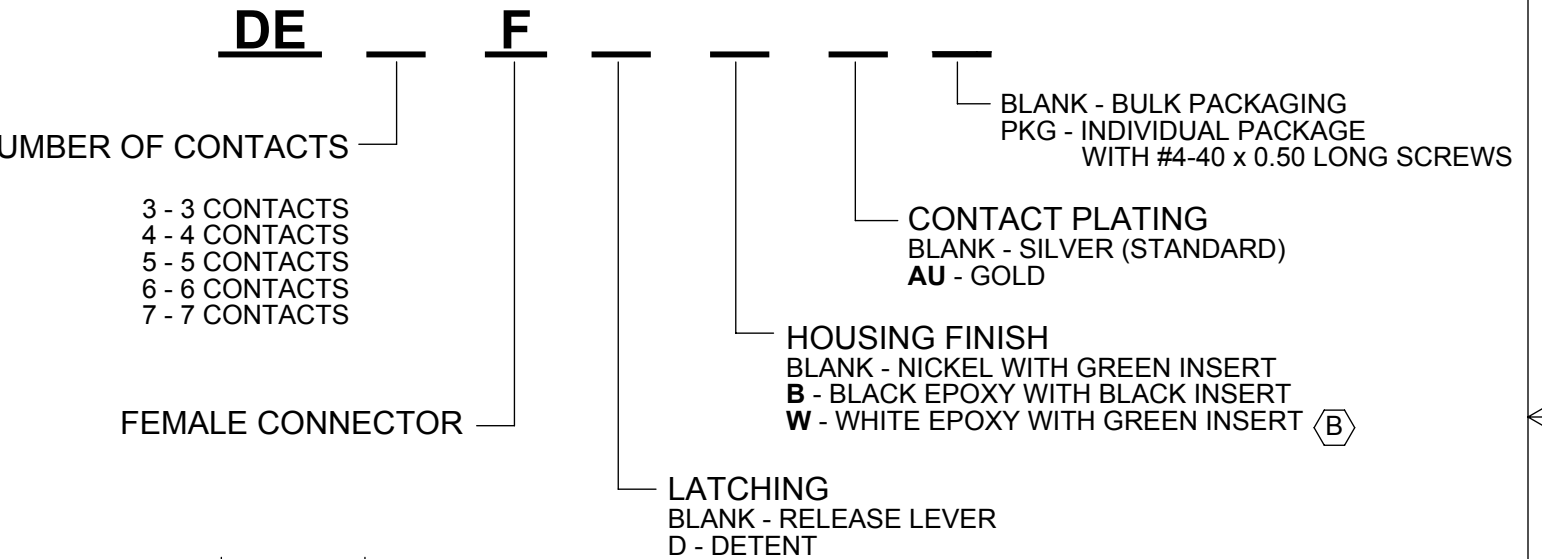
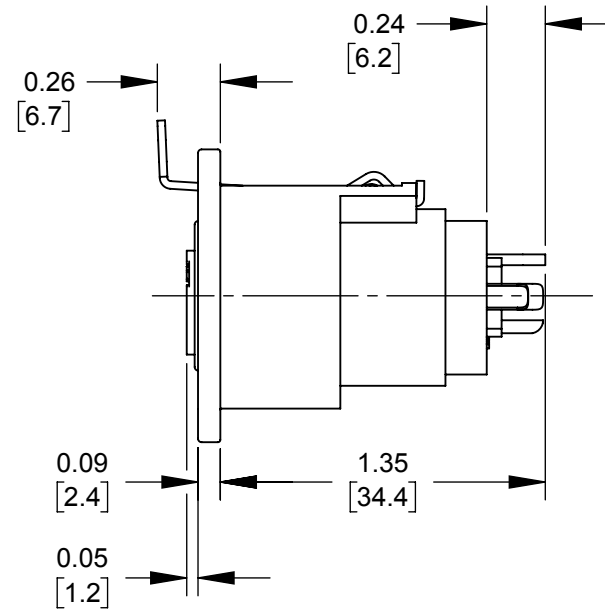
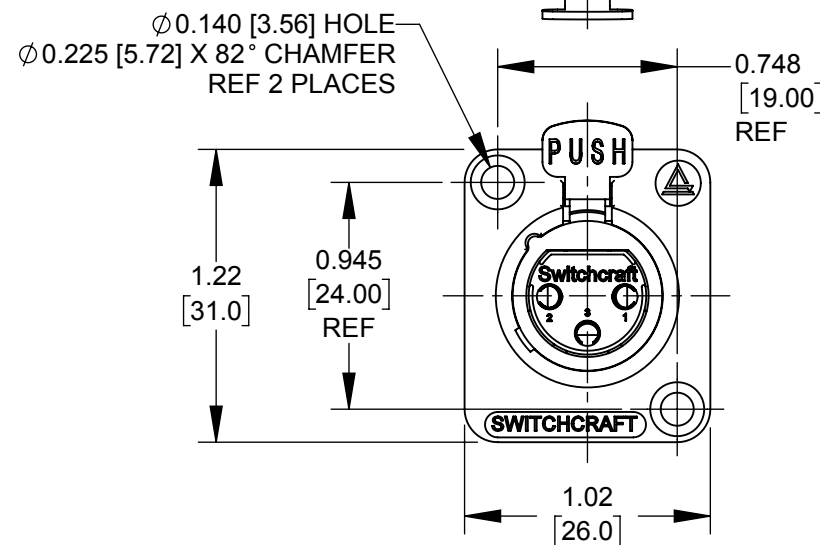
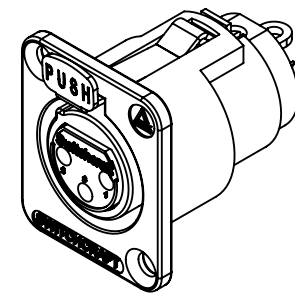
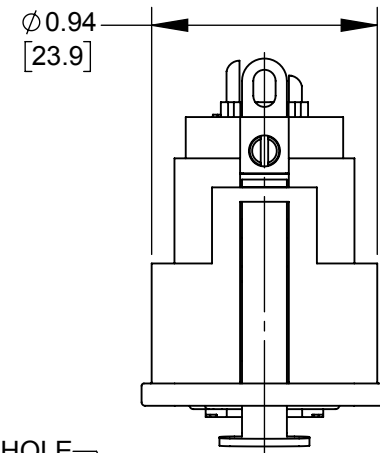
DE5F
5 PIN



DE6F
6 PIN



DE7F
7 PIN



NOTES:

1. MATERIALS:

- HOUSING - ZINC ALLOY, NICKEL PLATED OR BLACK PAINTED OR WHITE PAINTED
- SHELL - STAINLESS STEEL
- INSERT SCREW - STAINLESS STEEL
- INSERTS - THERMOPLASTIC, GREEN OR BLACK
- SOLDER TERMINAL - COPPER ALLOY, TIN PLATED
- LATCH BUTTON - ZINC ALLOY, NICKEL PLATED
- LATCH SPRING - STAINLESS STEEL
- LATCH "DETENT" SPRING - STAINLESS STEEL
- CONTACT SOCKETS - COPPER ALLOY, SILVER OR GOLD PLATED
- RELEASE LEVER - STEEL, NICKEL PLATED OR BLACK OXIDE

2. THESE PARTS ARE RoHS COMPLIANT.

REV	ECO NUMBER	DATE	BY	APVD
B	27480	04-17-15	PC	TJK
A	27401	02-13-15	PC	TJK
REVISIONS				

UNLESS OTHERWISE SPECIFIED

1. ALL DIMENSIONS IN INCHES [mm]

- TWO PLACE DECIMALS ±0.02 [0.5]

- THREE PLACE DECIMALS ±0.005 [0.13]

DO NOT SCALE DRAWING

THIS DRAWING DESCRIBES A DESIGN CONSIDERED PROPRIETARY IN NATURE, DEVELOPED AND MANUFACTURED BY SWITCHCRAFT INC. AND IS RELEASED ON A CONFIDENTIAL BASIS FOR IDENTIFICATION PURPOSES ONLY.									
SIZE	WIDTH	MULT	LBS/M	TEMPER					
FINISH					MATERIAL				
SPEC No.					SPEC No.				
FIRST USED ON					SCALE 1.25:1				
DATE DRAWN	BY	CHKD	APVD	Switchcraft [®]					
12-14-12	SRC	SRC	TJK						
					SHEET 1 OF 1				
NAME D SERIES FEMALE QG WITH EH SERIES MOUNTING					PART No. DE3F - DE7F SERIES			REV B	

CUSTOMER DRAWING