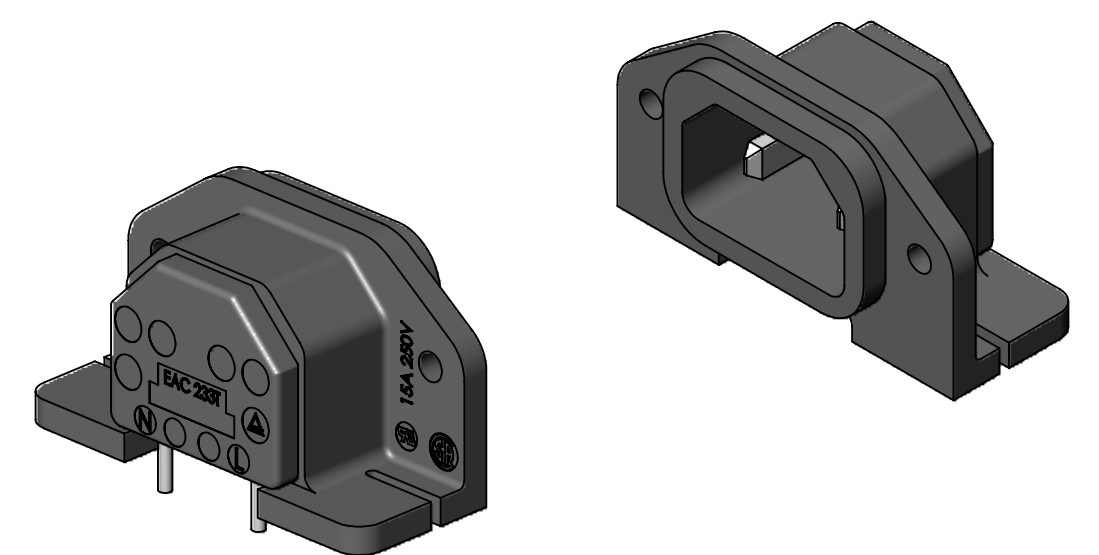


SECTION A-A

- NOTES:**
1. MEETS IEC 60320 SPECIFICATION.
  2. AGENCY APPROVAL & RATING:  
UL & CSA: 15A, 250V AC.
  3. MATERIALS:  
HOUSING AND COVER, BLACK THERMOPLASTIC.  
TERMINALS, TIN PLATED COPPER ALLOY.
  4. THIS PRODUCT IS RoHS COMPLIANT.



CUSTOMER DRAWING

UNLESS OTHERWISE SPECIFIED					THIS DRAWING DESCRIBES A DESIGN CONSIDERED PROPRIETARY IN NATURE, DEVELOPED AND MANUFACTURED BY SWITCHCRAFT INC. AND IS RELEASED ON A CONFIDENTIAL BASIS FOR IDENTIFICATION PURPOSES ONLY.				
1. ALL DIMENSIONS IN INCHES					SIZE	WIDTH	MULT	LBS/M	TEMPER
- TWO PLACE DECIMALS ±0.02					FINISH				MATERIAL
- THREE PLACE DECIMALS ±0.005					SPEC No.				SPEC No.
					FIRST USED ON				SCALE
					DATE DRAWN				3:1
					BY	CHKD	TG	APVD	RV
					12/21/88	RLD	01/03/89	01/12/89	
					NAME				PART No.
					MALE AC RECEPTACLE				EAC233T
					RIGHT ANGLE PC MOUNT, RoHS				REV
REVISIONS					DO NOT SCALE DRAWING				K