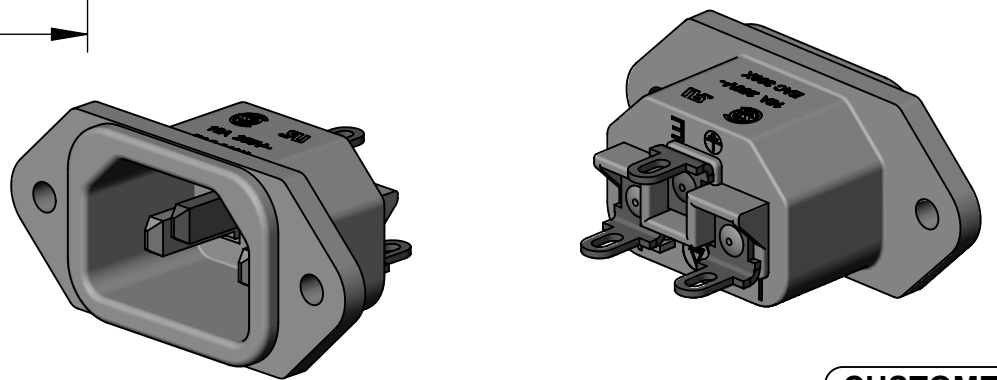


- NOTES:
- 1. AGENCY IDENTIFICATION & RATING:
UL & CSA: 15A 250V~
 - 2. MEETS IEC 60320 SPECIFICATION
 - 3. MATERIALS:
HOUSING: BLACK POLYESTER
TERMINALS: TIN PLATED COPPER ALLOY
CONTACT PINS: TIN PLATED COPPER ALLOY
 - 4. THIS PRODUCT IS RoHS COMPLIANT.



CUSTOMER DRAWING

REV	ECO NUMBER	DATE	BY	APVD
C	28549	01/16/23	PC	TJK
B	28175	6/4/19	TJK	TJK
A	26895	12/16/11	BL	TJK

REVISIONS

UNLESS OTHERWISE SPECIFIED

1. ALL DIMENSIONS IN INCHES [mm]

- TWO PLACE DECIMALS ±0.02 [0.5]

- THREE PLACE DECIMALS ±0.005 [0.13]

DO NOT SCALE DRAWING

THIS DRAWING DESCRIBES A DESIGN CONSIDERED PROPRIETARY IN NATURE, DEVELOPED AND MANUFACTURED BY SWITCHCRAFT INC. AND IS RELEASED ON A CONFIDENTIAL BASIS FOR IDENTIFICATION PURPOSES ONLY.									
SIZE	WIDTH	MULT	LBS/M	TEMPER					
FINISH SPEC No.					MATERIAL SPEC No.				
FIRST USED ON			SCALE 2:1		Switchcraft [®]				
DATE DRAWN	BY	CHKD	APVD						
11/17/11	BL	BL	TJK	11/17/11	SHEET 1 OF 1				
NAME MALE AC RECEPTACLE STD SOLDER TERMINALS, RoHS					PART No. EAC309X		REV C		