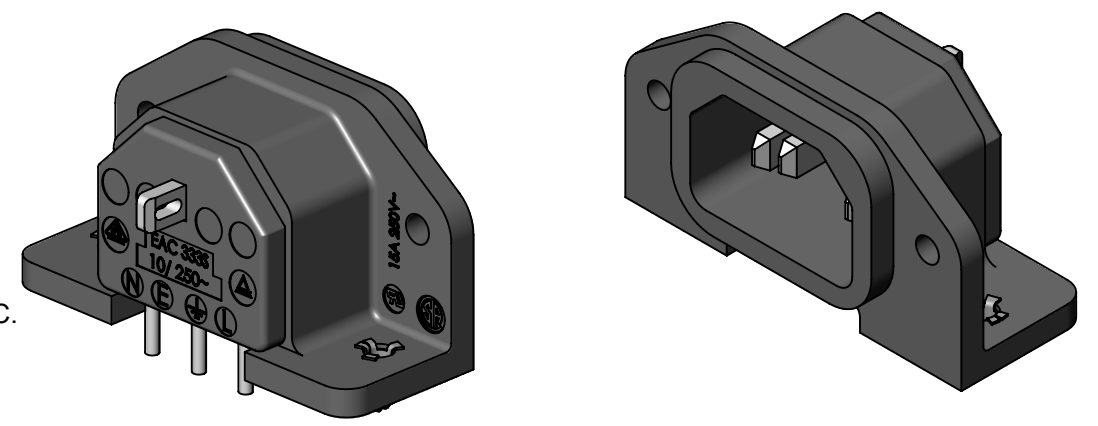


NOTES:

1. MEETS IEC 60320 SPECIFICATION.
2. AGENCY APPROVAL & RATING:
VDE: 10A, 250V AC.
UL & CSA: 15A, 250V~ AC
3. MATERIALS:
HOUSING AND COVER, BLACK THERMOPLASTIC.
TERMINALS, TIN PLATED COPPER ALLOY.
4. THIS PRODUCT IS RoHS COMPLIANT.



CUSTOMER DRAWING

UNLESS OTHERWISE SPECIFIED					THIS DRAWING DESCRIBES A DESIGN CONSIDERED PROPRIETARY IN NATURE, DEVELOPED AND MANUFACTURED BY SWITCHCRAFT INC. AND IS RELEASED ON A CONFIDENTIAL BASIS FOR IDENTIFICATION PURPOSES ONLY.				
1. ALL DIMENSIONS IN INCHES [mm]					SIZE	WIDTH	MULT	LBS/M	TEMPER
- TWO PLACE DECIMALS ±0.02 [0.5]					FINISH				MATERIAL
- THREE PLACE DECIMALS ±0.005 [0.13]					SPEC No.				SPEC No.
DO NOT SCALE DRAWING					FIRST USED ON				SCALE
REVISIONS					DATE DRAWN	BY	CHKD	APVD	Switchcraft®
SolidWorks CAD File					08/26/92	LR	EB	GHJ	
					NAME MALE AC RECEPTACLE				PART No.
					RIGHT ANGLE PC MOUNT, RoHS				EAC333S
					SHEET 1 OF 1				REV
									F