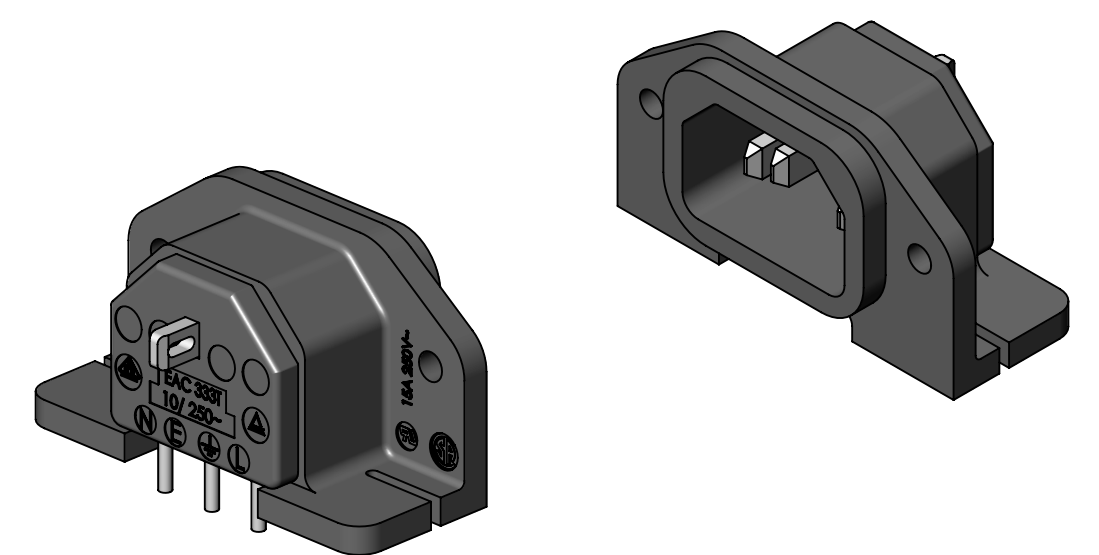


- NOTES:**
1. MEETS IEC 60320 SPECIFICATION.
 2. AGENCY APPROVAL & RATING:
VDE: 10A, 250V AC.
UL & CSA: 15A, 250V~ AC
 3. MATERIALS:
HOUSING AND COVER, BLACK THERMOPLASTIC.
TERMINALS, TIN PLATED COPPER ALLOY.
 4. THIS PRODUCT IS RoHS COMPLIANT.



CUSTOMER DRAWING

UNLESS OTHERWISE SPECIFIED 1. ALL DIMENSIONS IN INCHES [mm] - TWO PLACE DECIMALS ±0.02 [0.5] - THREE PLACE DECIMALS ±0.005 [0.13]					SIZE	WIDTH	MULT	LBS/M	TEMPER
					THIS DRAWING DESCRIBES A DESIGN CONSIDERED PROPRIETARY IN NATURE, DEVELOPED AND MANUFACTURED BY SWITCHCRAFT INC. AND IS RELEASED ON A CONFIDENTIAL BASIS FOR IDENTIFICATION PURPOSES ONLY.				
DO NOT SCALE DRAWING					FINISH		MATERIAL		
					SPEC No.		SPEC No.		
REVISIONS					FIRST USED ON		SCALE		
					DATE DRAWN		BY		CHKD
REV	ECO NUMBER	DATE	BY	APVD	12/21/88	LRD	01/03/89	01/12/89	SHEET 1 OF 1
NAME MALE AC RECEPTACLE RIGHT ANGLE PC MOUNT, RoHS					PART No.		REV		
					EAC333T		K		