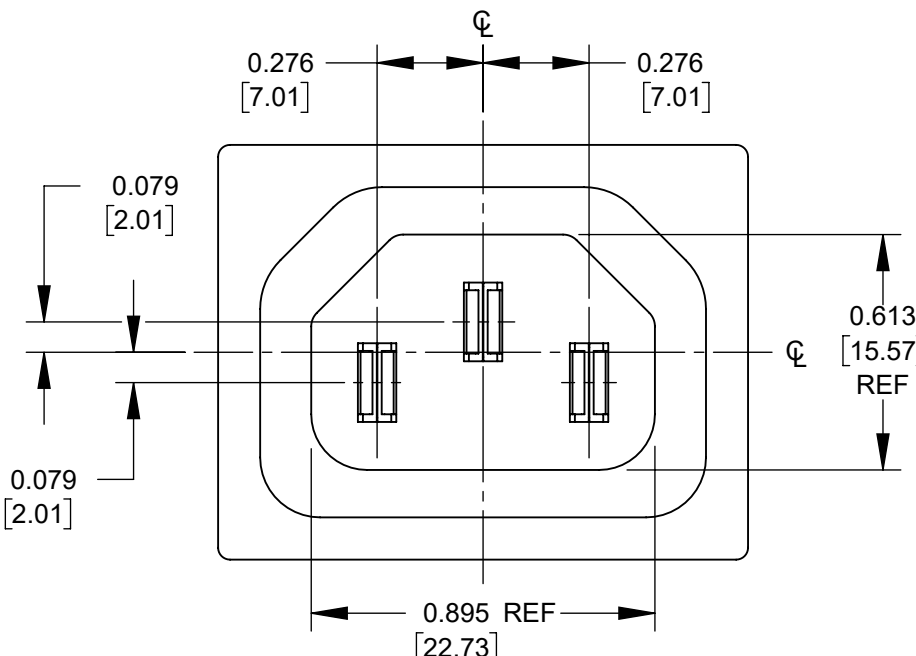
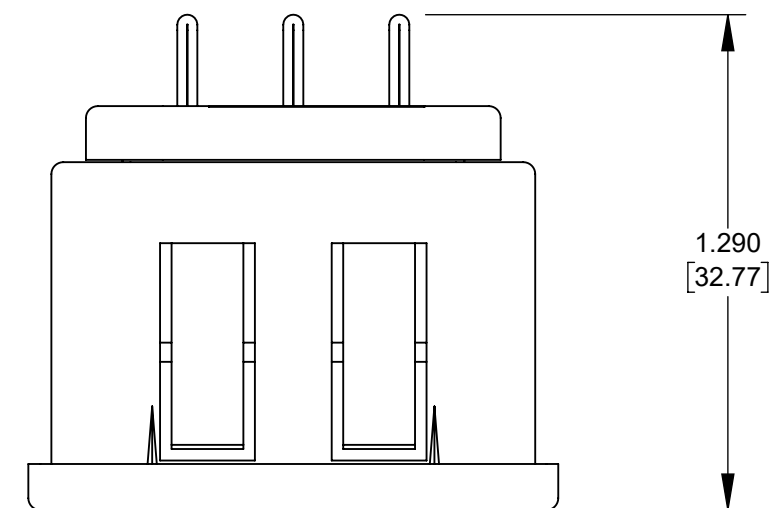
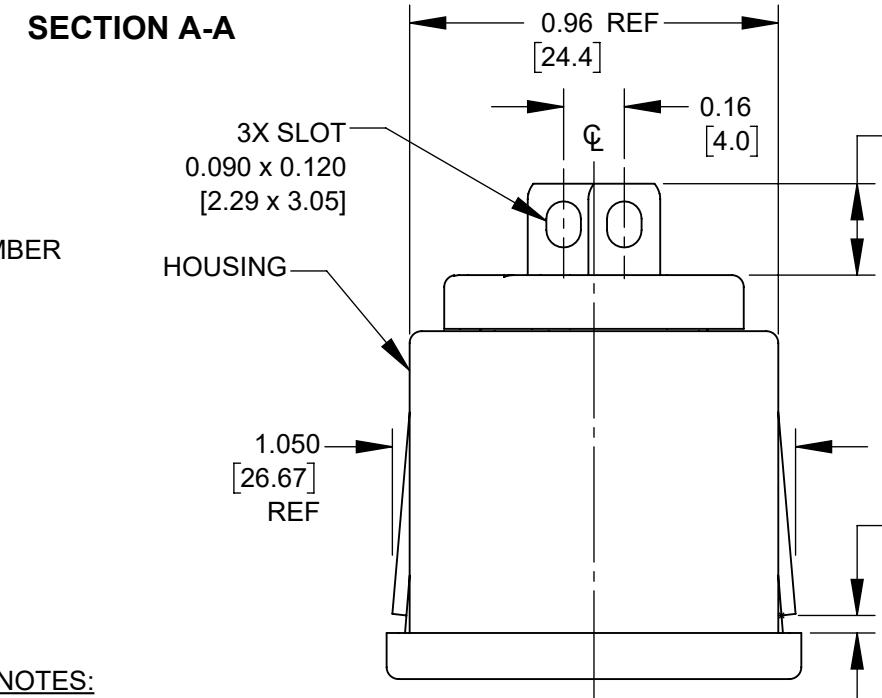
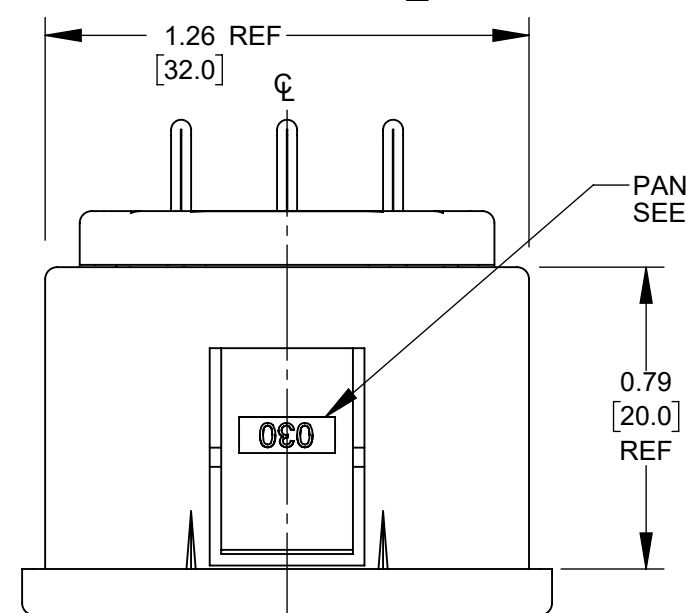
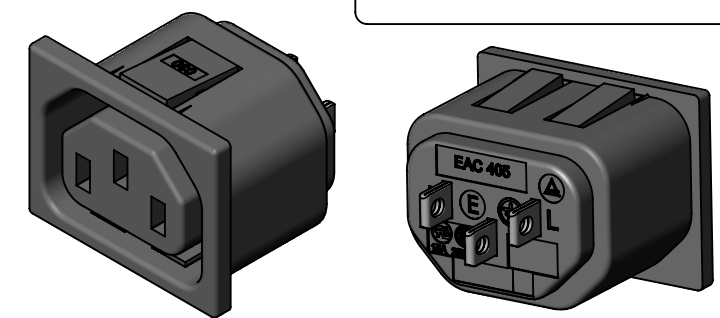


PART NUMBER	PANEL ID NUMBER	PANEL THICKNESS
EAC405030	030	0.026 - 0.040 [0.66 - 1.02]
EAC405040	040	0.036 - 0.050 [0.91 - 1.27]
EAC405050	050	0.046 - 0.060 [1.17 - 1.52]
EAC405060	060	0.056 - 0.070 [1.42 - 1.78]



NOTES:

1. MEETS IEC 60320 SPECIFICATION
2. AGENCY APPROVAL & RATING: UL & CSA:15A, 250V~ AC.
3. MATERIALS: HOUSING, BLACK THERMOPLASTIC COVER, BLACK THERMOPLASTIC CONTACTS, TIN PLATED COPPER ALLOY



CUSTOMER DRAWING

REV	ECO NUMBER	DATE	BY	APVD
J	28549	01/16/23	PC	TJK
H	28175	6/4/19	TJK	TJK
G	26912	02/16/12	BL	TJK
F	25129	03/27/02	BL	TJK

UNLESS OTHERWISE SPECIFIED
 1. ALL DIMENSIONS IN INCHES [mm]
 - TWO PLACE DECIMALS ±0.02 [0.5]
 - THREE PLACE DECIMALS ±0.005 [0.13]

DO NOT SCALE DRAWING

THIS DRAWING DESCRIBES A DESIGN CONSIDERED PROPRIETARY IN NATURE, DEVELOPED AND MANUFACTURED BY SWITCHCRAFT INC. AND IS RELEASED ON A CONFIDENTIAL BASIS FOR IDENTIFICATION PURPOSES ONLY.				
SIZE	WIDTH	MULT	LBS/M	TEMPER
FINISH SPEC No.		MATERIAL SPEC No.		
FIRST USED ON		SCALE 2:1		
DATE DRAWN	BY	CHKD	APVD	
11/03/86	LH	AM	RP	
NAME		PART No.		REV
SNAP-IN FEMALE RECEPTACLE		EAC405 SERIES		J