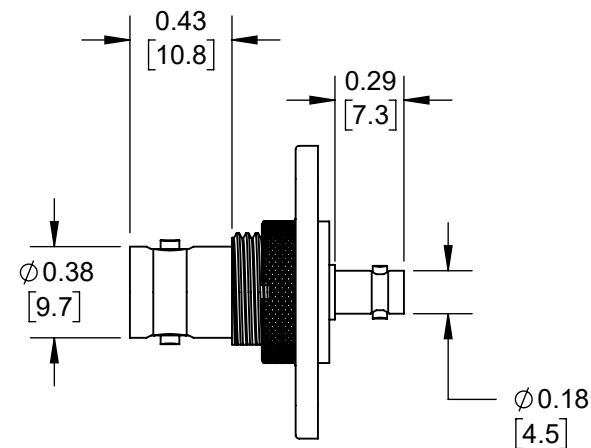
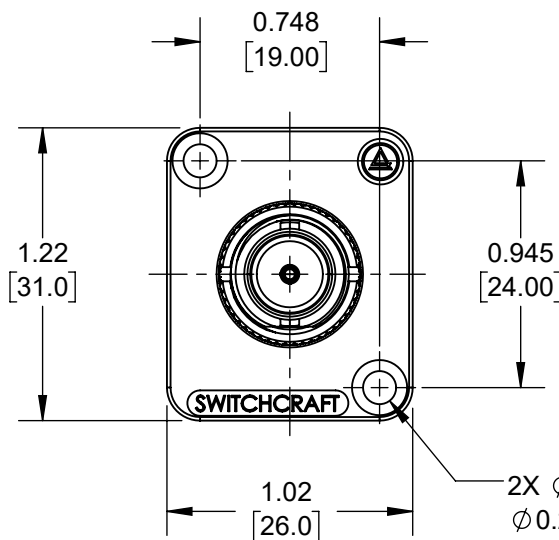
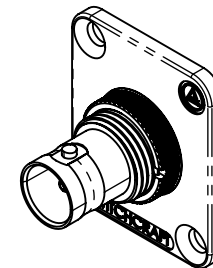
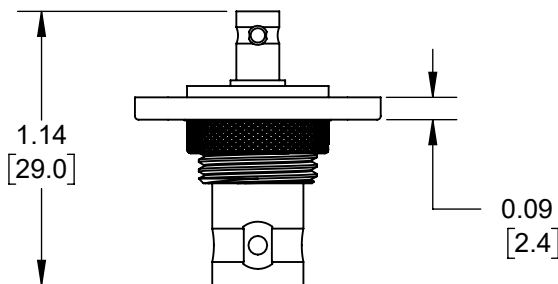


RECOMMENDED  
PANEL CUT-OUT

2X Ø0.138  
[3.51]  
OR DRILL AND TAP  
#4-40 OR 3x0.5MM



2X Ø0.138 [3.51] HOLE  
Ø0.23 [5.8] X 82° CHAMFER

PART NUMBER	FLANGE FINISH
EHBNCMBUHD	NICKEL PLATED
EHBNCMBUHDB	BLACK PAINT

NOTES:

1. MEETS 12 GHZ PER SMPTE SPEC ST-2082-1.
2. THIS PRODUCT IS ROHS COMPLIANT.

**CUSTOMER DRAWING**

					THIS DRAWING DESCRIBES A DESIGN CONSIDERED PROPRIETARY IN NATURE, DEVELOPED AND MANUFACTURED BY SWITCHCRAFT INC. AND IS RELEASED ON A CONFIDENTIAL BASIS FOR IDENTIFICATION PURPOSES ONLY.						
					SIZE	WIDTH	MULT	LBS/M	TEMPER		
					UNLESS OTHERWISE SPECIFIED			FINISH			
					1. ALL DIMENSIONS IN INCHES [mm]			MATERIAL			
					- TWO PLACE DECIMALS ±0.02 [0.5]			SPEC No.			
					- THREE PLACE DECIMALS ±0.005 [0.13]			SCALE			
					FIRST USED ON			5:4			
A	28383	05-18-21	PC	TJK	DATE DRAWN	BY	CHKD	APVD	<b>Switchcraft®</b>		
REV	ECO NUMBER	DATE	BY	APVD	9-23-2020	SRC	9-23-2020	4/20/21			
REVISIONS					DO NOT SCALE DRAWING					SHEET 1 OF 1	
					NAME					PART No.	
					EH SERIES					EHBNCMBUHD_SERIES	
					BNC TO MICRO BNC UHD ADAPTER					REV	
										A	

