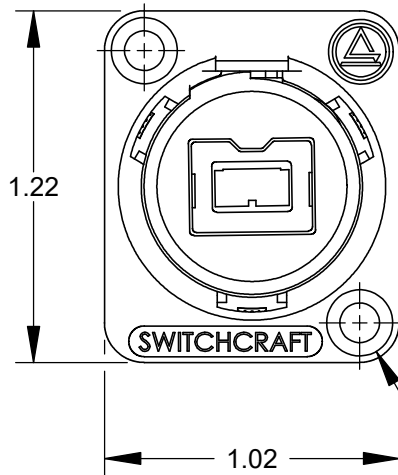
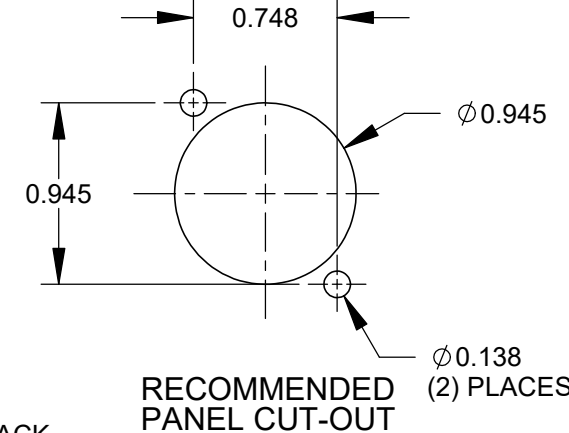
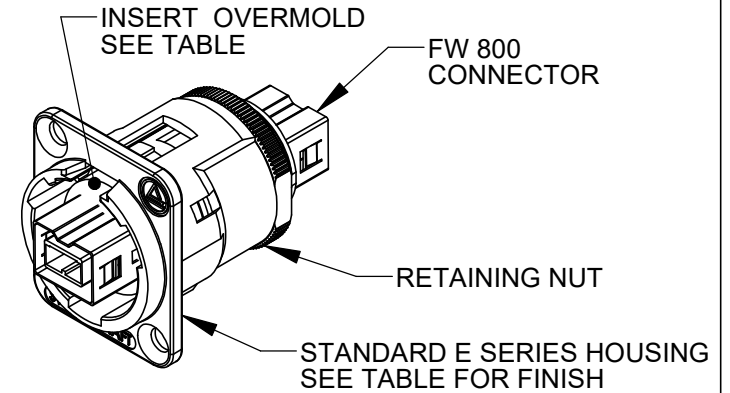
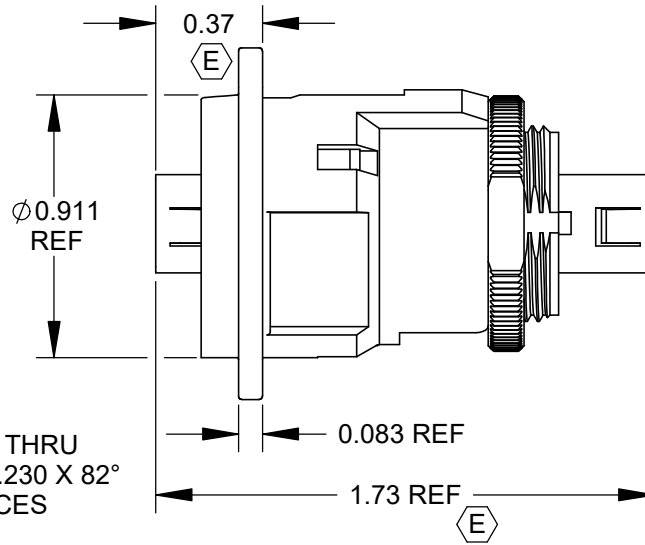


PART NUMBER	INSERT COLOR & WIRING	HOUSING FINISH
EHW800X2	RED - CROSS WIRED	NICKEL
EHW800X2B	RED - CROSS WIRED	BLACK CHROME



Ø0.138 THRU  
 ✓ Ø0.230 X 82°  
 (2) PLACES



PIN ASSIGNMENT									
<b>EHW800X2 &amp; EHW800X2B</b> CROSS WIRED									
1	2	3	4	5	6	7	8	9	SHIELD
						NC			
3	4	1	2	9	6	7	8	5	SHIELD

NOTES:

- MATERIALS:  
 INSERT OVERMOLD - THERMOPLASTIC, BLACK  
 RETAINING NUT - BRASS, NICKEL PLATED  
 HOUSING - ZINC ALLOY
- THERE IS NO CONNECTION BETWEEN PINS 7 AND 7.
- THIS PRODUCT IS RoHS COMPLIANT.

**CUSTOMER DRAWING**

REV	ECO NUMBER	DATE	BY	APVD
E	28603	06/08/23	PC	TJK
D	26611	09/08/10	JEB	TJK
C	26467	11/30/09	RS	TJK
B	26415	7/17/09	TJK	TJK
A	26308	12/1/08	RS	TJK
REVISIONS				

UNLESS OTHERWISE SPECIFIED

1. ALL DIMENSIONS IN INCHES  
 - TWO PLACE DECIMALS ±0.02  
 - THREE PLACE DECIMALS ±0.005

DO NOT SCALE DRAWING

THIS DRAWING DESCRIBES A DESIGN CONSIDERED PROPRIETARY IN NATURE, DEVELOPED AND MANUFACTURED BY SWITCHCRAFT INC. AND IS RELEASED ON A CONFIDENTIAL BASIS FOR IDENTIFICATION PURPOSES ONLY.									
SIZE		WIDTH		MULT		LBS/M		TEMPER	
FINISH SPEC No.						MATERIAL SPEC No.			
FIRST USED ON				SCALE 1.5:1					
DATE DRAWN	BY	CHKD	APVD						
1/9/08	JGK	RS	TJK			SHEET 1 OF 1			
NAME FIREWIRE 800 FEED-THRU SERIES						PART No. EHW800 SERIES		REV E	

