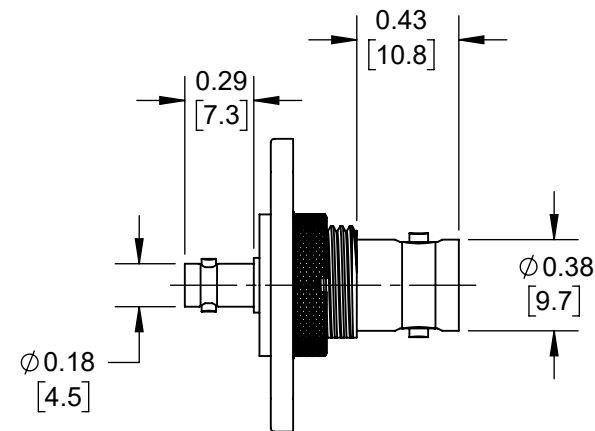
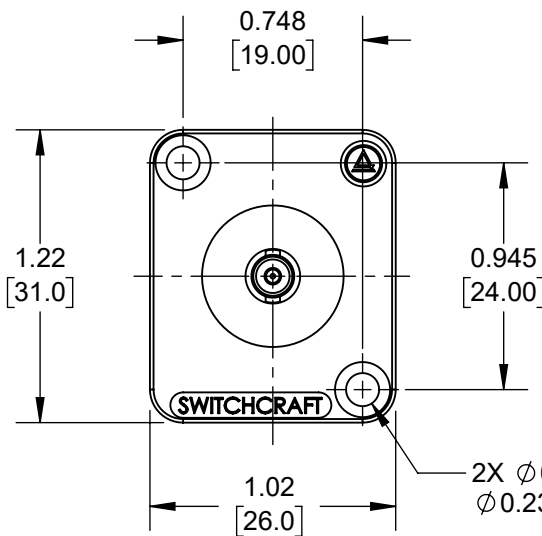


PART NUMBER	FLANGE FINISH
EHMBBNCUHD	NICKEL PLATED
EHMBBNCUHDB	BLACK PAINT



NOTES:

1. MEETS 12 GHZ PER SMPTE SPEC ST-2082-1.
2. THIS PRODUCT IS ROHS COMPLIANT.

CUSTOMER DRAWING

					THIS DRAWING DESCRIBES A DESIGN CONSIDERED PROPRIETARY IN NATURE, DEVELOPED AND MANUFACTURED BY SWITCHCRAFT INC. AND IS RELEASED ON A CONFIDENTIAL BASIS FOR IDENTIFICATION PURPOSES ONLY.						
					SIZE	WIDTH	MULT	LBS/M	TEMPER		
					UNLESS OTHERWISE SPECIFIED			FINISH			
					1. ALL DIMENSIONS IN INCHES [mm]			MATERIAL			
					- TWO PLACE DECIMALS ±0.02 [0.5]			SPEC No.			
					- THREE PLACE DECIMALS ±0.005 [0.13]			FIRST USED ON			
					SCALE 5:4						
A	28383	05-18-21	PC	TJK	DATE DRAWN	BY	CHKD			APVD	
REV	ECO NUMBER	DATE	BY	APVD	9-23-2020	SRC	9-23-2020	4/21/20	SHEET 1 OF 1		
REVISIONS					DO NOT SCALE DRAWING					PART No. EHMBBNCUHD_SERIES	
					NAME EH SERIES MBNC TO BNC UHD ADAPTER					REV A	

