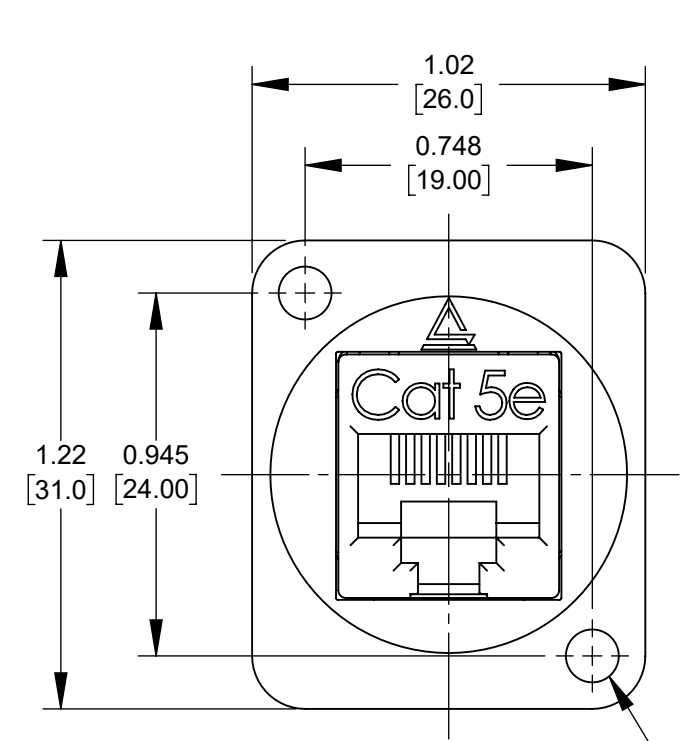
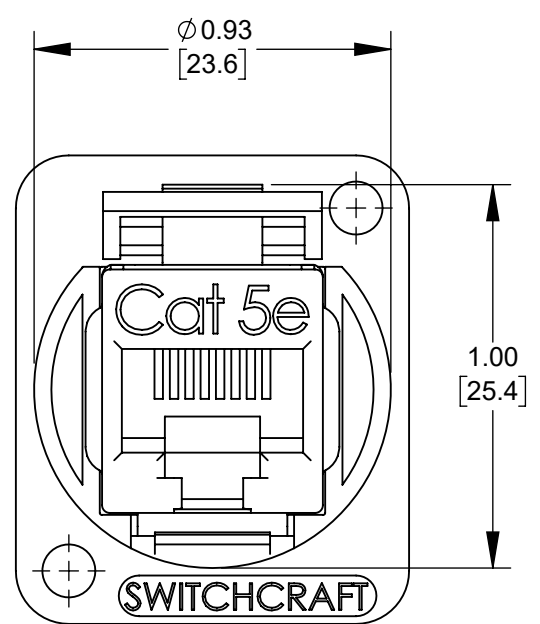
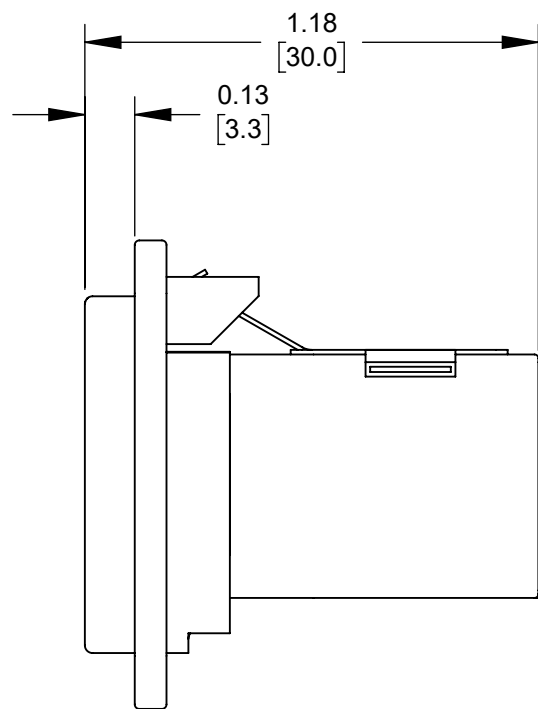


RECOMMENDED
PANEL CUT-OUT
REAR MOUNT ONLY

EHRJ45D5ES
SHOWN

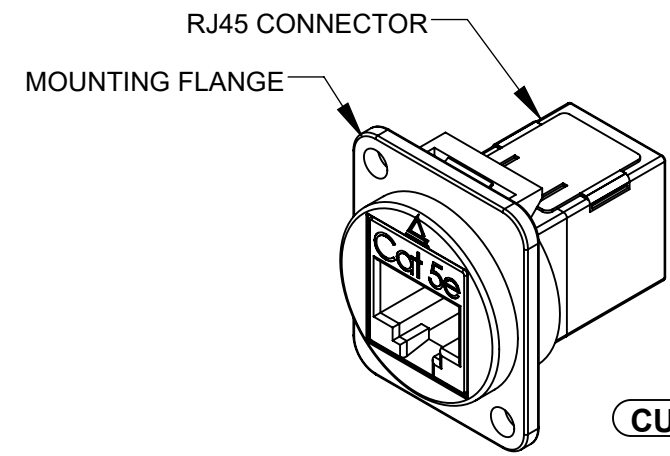


MOUNTING HOLE
2 PLACES
SEE TABLE



PART NUMBER	MOUNTING FLANGE FINISH	MOUNTING HOLE
EHRJ45D5ES	NICKEL	Ø0.138 [3.50] THRU-HOLE
EHRJ45D5ESB	BLACK CHROME	Ø0.138 [3.50] THRU-HOLE
EHRJ45D5ES440	NICKEL	#4-40 THREAD
EHRJ45D5ESB440	BLACK CHROME	#4-40 THREAD
EHRJ45D5ESM3	NICKEL	M3 X 0.5 THREAD
EHRJ45D5ESBM3	BLACK CHROME	M3 X 0.5 THREAD

- NOTES:
- SHIPPED ASSEMBLED WITHOUT PANEL MOUNTING HARDWARE. ADD "PKG" SUFFIX TO INCLUDE MOUNTING SCREWS AND INDIVIDUAL PACKAGING.
 - MATERIALS:
 - MOUNTING FLANGE - ZINC ALLOY, SEE TABLE FOR FINISH
 - RJ45 BODY - THERMOPLASTIC, BLACK
 - RJ45 SHIELD - COPPER ALLOY, NICKEL PLATED
 - RJ45 CONTACTS - COPPER ALLOY, GOLD PLATED
 - SPECIFICATIONS:
 - RJ45 CONNECTOR MEETS TIA/EIA-568 STANDARD.
 - PHYSICAL CHARACTERISTICS
 - INSERTION LIFE: 750 MATING CYCLES WITH FCC PLUG
 - OPERATING TEMP: -10°C TO +60°C (14°F TO +140°F)
 - ELECTRICAL
 - INSULATION RESISTANCE: 500MOHM
 - DIELECTRIC WITHSTANDING VOLTAGE: 1000V
 - DC CURRENT RATING: 1.5 AMPS
 - DC RESISTANCE: 0.1OHM
 - CONTACT RESISTANCE: 20mOHM
 - THESE PRODUCTS ARE RoHS COMPLIANT.



CUSTOMER DRAWING

REV	ECO NUMBER	DATE	BY	APVD
A	28221	10/31/19	PC	TJK

UNLESS OTHERWISE SPECIFIED

1. ALL DIMENSIONS IN INCHES [mm]

- TWO PLACE DECIMALS ±0.02 [0.5]

- THREE PLACE DECIMALS ±0.005 [0.13]

DO NOT SCALE DRAWING

THIS DRAWING DESCRIBES A DESIGN CONSIDERED PROPRIETARY IN NATURE, DEVELOPED AND MANUFACTURED BY SWITCHCRAFT INC. AND IS RELEASED ON A CONFIDENTIAL BASIS FOR IDENTIFICATION PURPOSES ONLY.										
SIZE	WIDTH	MULT	LBS/M	TEMPER						
FINISH					MATERIAL					
SPEC No.					SPEC No.					
FIRST USED ON				SCALE		Switchcraft®				
				2:1						
DATE DRAWN	BY	CHKD	APVD							
6/21/19	JGK	JGK	TJK							
			7/10/19	7/10/19	SHEET 1 OF 1					
NAME								PART No.		REV
METAL FLANGE, REAR MOUNT RJ45, CAT5E CONNECTOR, SHIELDED, RoHS								EHRJ45D5ES SERIES		A