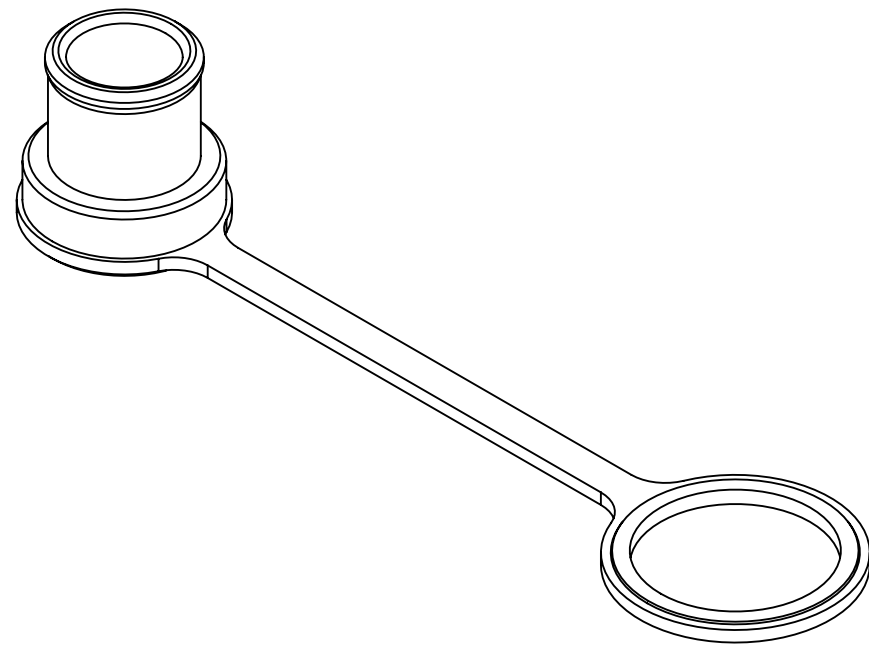


DIMENSIONS SHOWN FOR REFERENCE ONLY



NOTES:

1. HS2PCAP CONTAINS ONE SEAL CAP.
2. TYPICAL SEAL CAP INSTALLATION SHOWN IN FIG A AND FIG B.
3. MATERIAL: THERMOPLASTIC ELASTOMER, BLACK COLOR STANDARD.
4. THIS PRODUCT IS RoHS COMPLIANT.

CUSTOMER DRAWING

| | | | | | | | | | | |
|-----------|-------------|----------|-----|------|--|-------|-----------|----------------------|----------|-----|
| | | | | | THIS DRAWING DESCRIBES A DESIGN CONSIDERED PROPRIETARY IN NATURE, DEVELOPED AND MANUFACTURED BY SWITCHCRAFT INC. AND IS RELEASED ON A CONFIDENTIAL BASIS FOR IDENTIFICATION PURPOSES ONLY. | | | | | |
| | | | | | SIZE | WIDTH | MULT | LBS/M | TEMPER | |
| | | | | | FINISH | | | MATERIAL (SEE NOTES) | | |
| | | | | | SPEC No. | | | SPEC No. | | |
| | | | | | FIRST USED ON DURA-PULL | | SCALE 2:1 | | | |
| | | | | | DATE DRAWN | BY | CHKD | APVD | | |
| | | | | | 02/04/16 | PNK | PNK | SRC | | |
| | | | | | | | 02/04/16 | 02/04/16 | | |
| | | | | | NAME SEAL CAP, PANEL-MOUNT HS2P SERIES CONNECTOR, RoHS | | | | PART No. | REV |
| | | | | | | | | | HS2PCAP | 0A |
| REVISIONS | | | | | DO NOT SCALE DRAWING | | | | | |
| 0A | PRELIMINARY | 02/04/16 | PNK | SRC | | | | | | |
| REV | ECO NUMBER | DATE | BY | APVD | | | | | | |