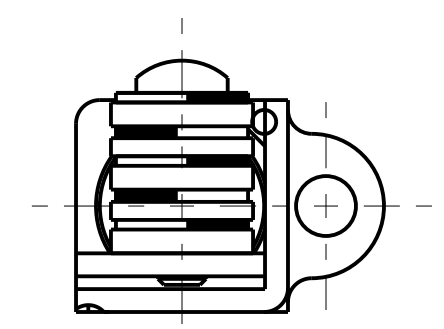
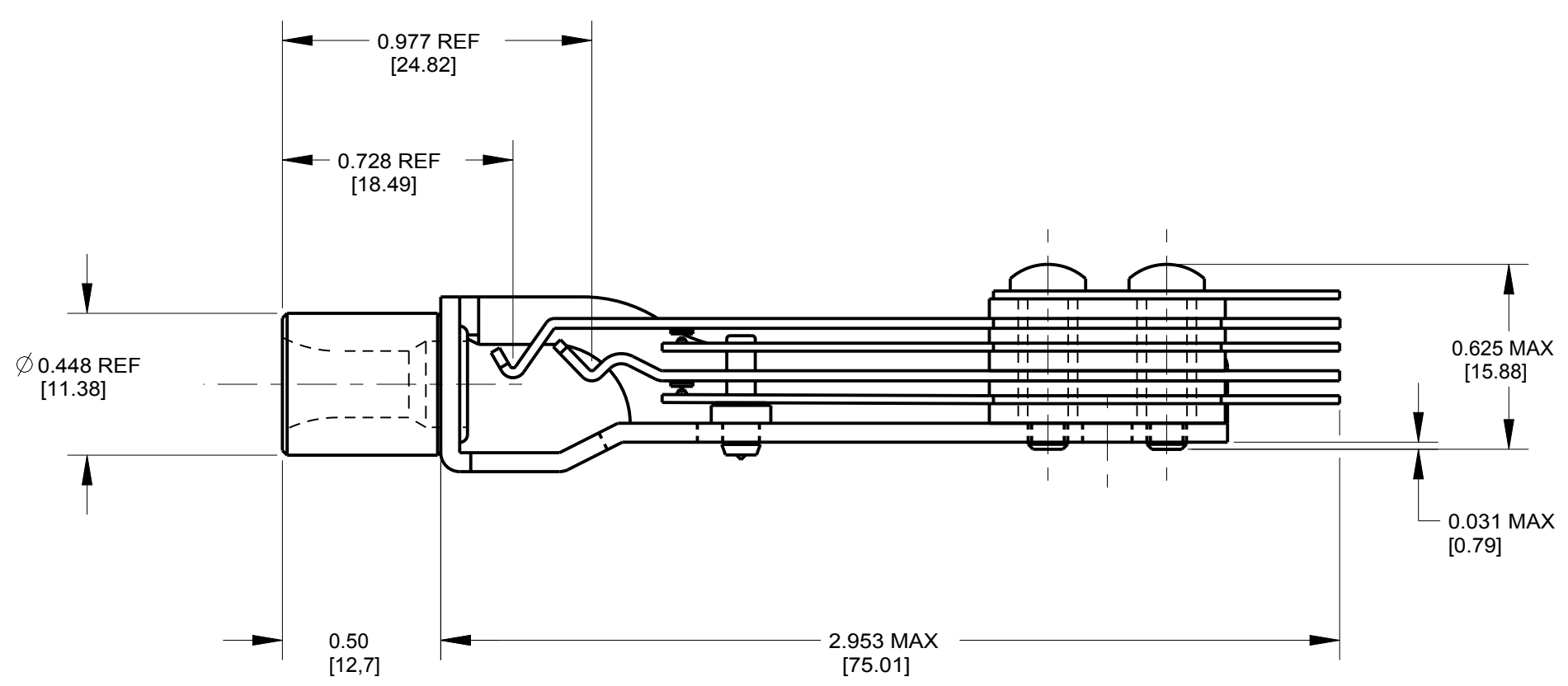
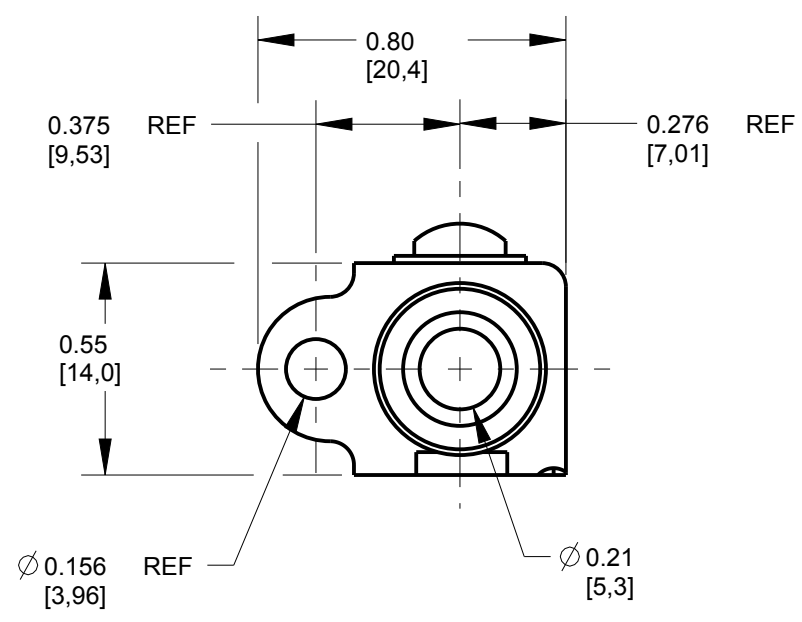
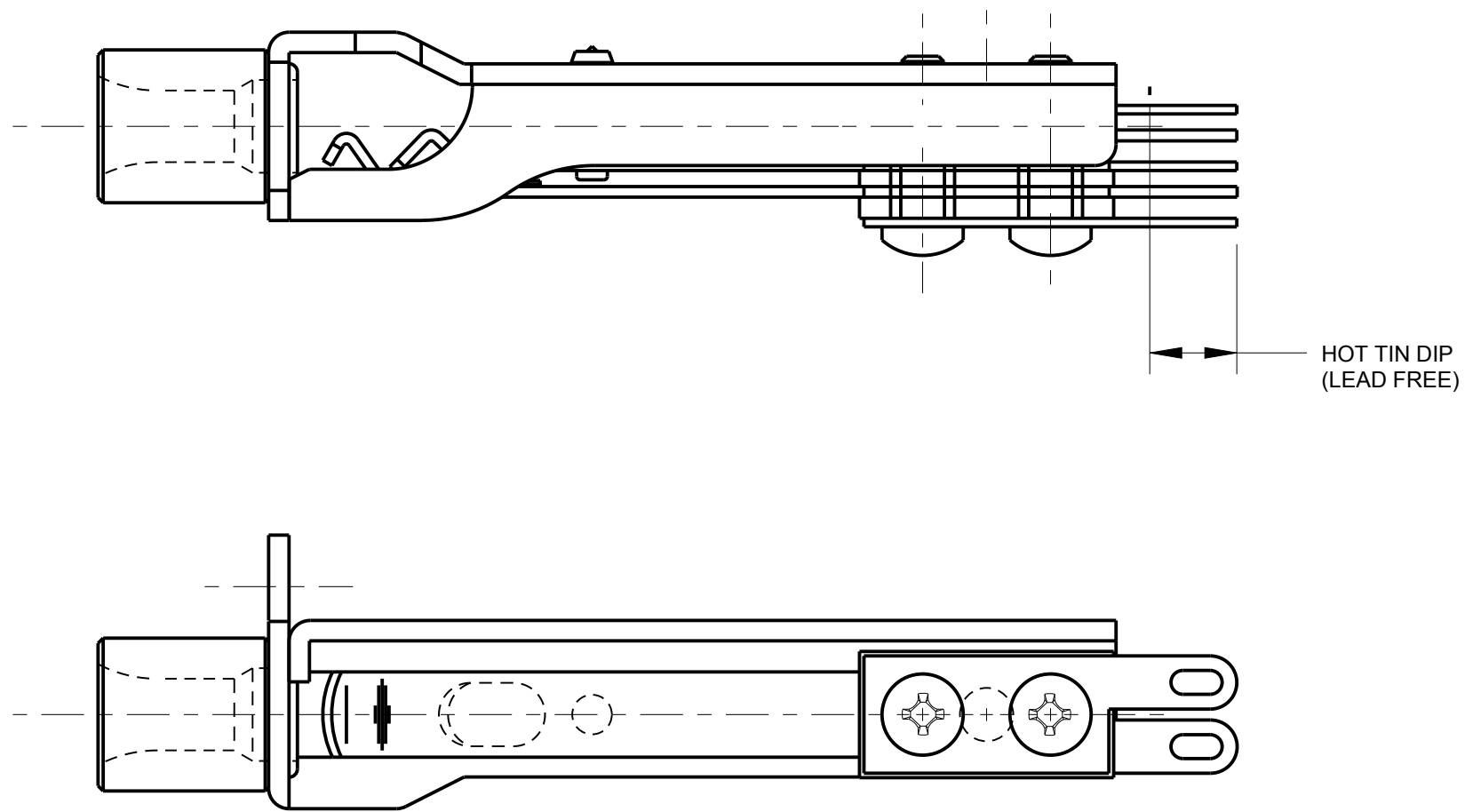


8 7 6 5 4 3 2 1



- NOTES:
- MATING PLUG: PJ-068 PLUG
 - MATERIALS:
 FRAME - STEEL, NICKEL PLATED
 BUSHING - BRASS, NICKEL PLATED
 SPRINGS - NICKEL SILVER, SPRING TEMPERED
 CONTACTS - WELDED CROSSBAR, GOLD
 SPACERS - PHENOLIC
 SPRING SUPPORT - NYLON
 TERMINALS - HOT TIN DIPPED (LEAD FREE)
 SCREWS - STEEL, NICKEL PLATED
 - THIS PRODUCT IS RoHS COMPLIANT.

CUSTOMER DRAWING

REV	ECO NUMBER	DATE	BY	APVD
B	27161	05-30-13	PC	TJK
A	27135	4-29-13	TO	TJK

★ STAR SYMBOL DENOTES CRITICAL DIMENSION

UNLESS OTHERWISE SPECIFIED

1. ALL DIMENSIONS IN INCHES
 -TWO PLACE DECIMALS ±0.01
 -THREE PLACE DECIMALS ±0.005
 -ANGLES ±1°
 -ALL DIA. CONCENTRIC WITHIN 0.005 T.I.R.

2. FEATURES ON THE SAME CENTERLINE MUST BE ALIGNED WITHIN ±0.002

3. REMOVE ALL BURRS

DO NOT SCALE DRAWING

THIS DRAWING DESCRIBES A DESIGN CONSIDERED PROPRIETARY IN NATURE, DEVELOPED AND MANUFACTURED BY SWITCHCRAFT INC. AND IS RELEASED ON A CONFIDENTIAL BASIS FOR IDENTIFICATION PURPOSES ONLY.				
SIZE	WIDTH	MULT	LBS/M	TEMPER
FINISH		MATERIAL		
SPEC No.		SPEC No.		
FIRST USED ON		SCALE		
		1:1		
DATE DRAWN	BY	CHKD	APVD	
18-Nov-09	TJK	EBR	EBR	
		11-18-09	11-18-09	
NAME				PART No.
TELEPHONE JACK, RoHS				MT344BX
				REV
				B

Switchcraft®

SHEET 1 OF 1

MT344BX



8 7 6 5 4 3 2 1