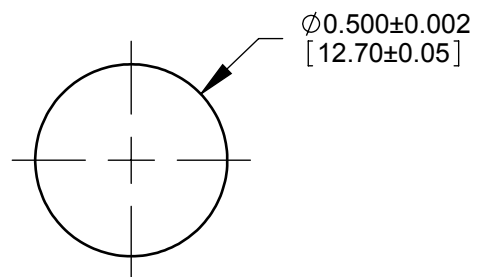
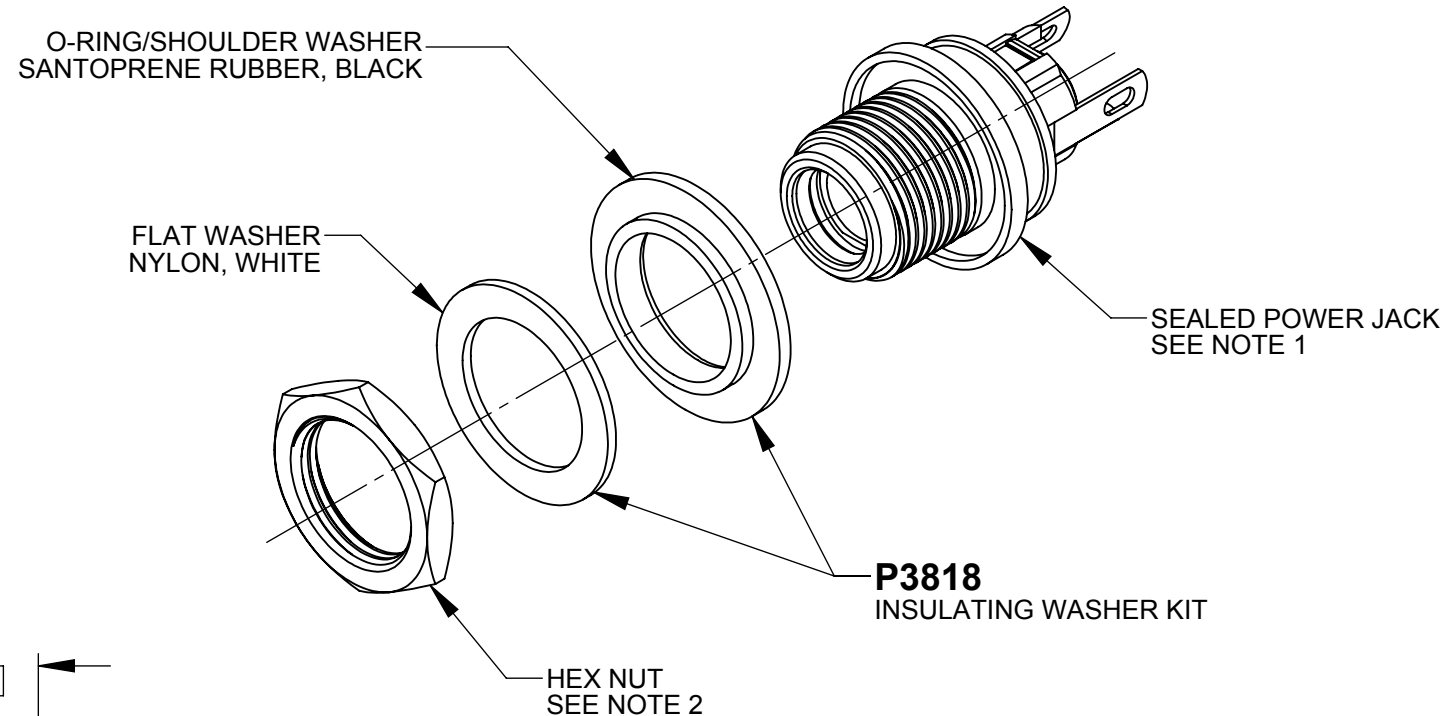


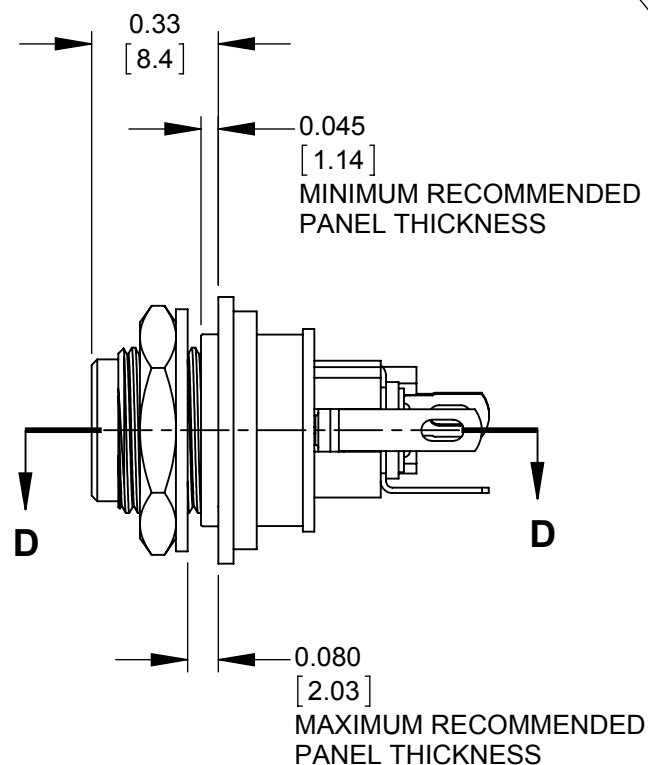
**SECTION D-D**  
**SCALE 3 : 1**



RECOMMENDED  
PANEL MOUNTING HOLE  
FOR GROUND ISOLATING WASHER KIT



**P3818**  
INSULATING WASHER KIT



NOTES:

- INSULATING WASHER KIT TO BE USED WITH THE FOLLOWING PRODUCTS.  
- L712AS, L712RAS, PCL712AS  
- L722AS, L722RAS, PCL722AS
- HEX NUT IS SUPPLIED WITH THE SEALED POWER JACK. METAL WASHER PROVIDED WITH SEALED POWER JACK SHOULD BE DISCARDED FOR GROUND ISOLATION INSTALLATION.
- ROUNDED O-RING SIDE OF SHOULDER WASHER TO BE ASSEMBLED INTO FLANGE OF JACK BUSHING AS SHOWN.
- ALL DIMENSIONS ARE SHOWN FOR REFERENCE ONLY.
- THIS PRODUCT IS RoHS COMPLIANT.

**CUSTOMER DRAWING**

					THIS DRAWING DESCRIBES A DESIGN CONSIDERED PROPRIETARY IN NATURE, DEVELOPED AND MANUFACTURED BY SWITCHCRAFT INC. AND IS RELEASED ON A CONFIDENTIAL BASIS FOR IDENTIFICATION PURPOSES ONLY.					
					SIZE	WIDTH	MULT	LBS/M	TEMPER	
					FINISH SPEC No.			MATERIAL SPEC No.		
					FIRST USED ON		SCALE 2:1			
					DATE DRAWN	BY	CHKD	APVD		
					9/05/13	AB	AB	BDS		
					9/05/13		9/05/13			
					NAME INSULATING WASHER KIT, GROUND ISOLATION, RoHS				PART No.	REV
									P3818	<b>A</b>
REV	ECO NUMBER	DATE	BY	APVD	DO NOT SCALE DRAWING					
A	26829	5/15/14	TJK	AB						
REVISIONS										