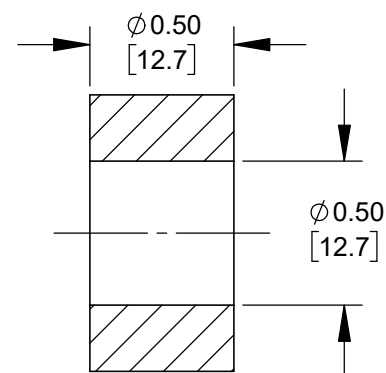
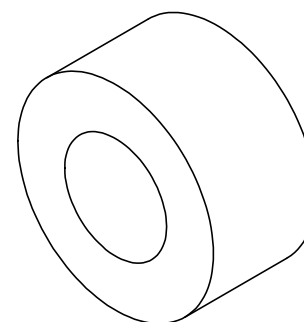


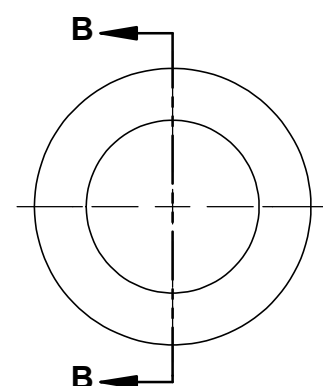
P3907



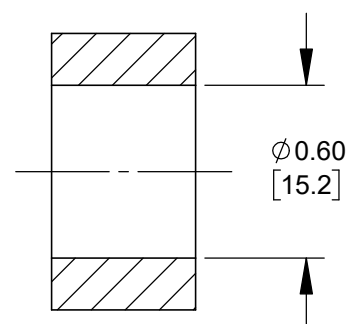
SECTION A-A



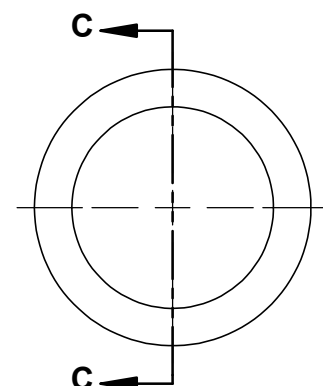
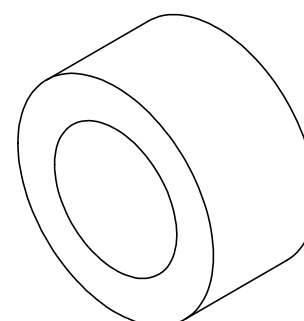
PART NUMBER	GROMMET SIZE	I.D. SIZE REF	CABLE O.D. RANGE
P3907	A	0.500 [12.7]	0.375 - 0.500 [9.5 - 12.7]
P3908	B	0.600 [15.2]	0.500 - 0.600 [12.7 - 15.2]
P3909	C	0.700 [17.8]	0.600 - 0.700 [15.2 - 17.8]



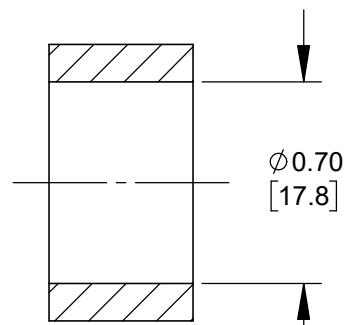
P3908



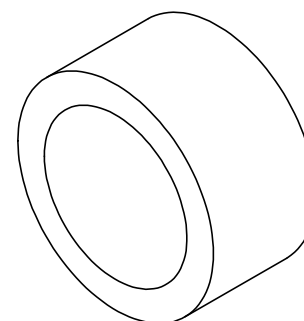
SECTION B-B



P3909



SECTION C-C



CUSTOMER DRAWING

NOTES:

1. MATERIAL: THERMOPLASTIC ELASTOMER, BLACK.
2. DIMENSIONS SHOWN FOR REFERENCE ONLY.
3. THIS PART IS RoHS COMPLIANT.

REV	ECO NUMBER	DATE	BY	APVD
A	28688	6/11/24	PC	TJK
REVISIONS				

UNLESS OTHERWISE SPECIFIED

1. ALL DIMENSIONS IN INCHES [mm]
- TWO PLACE DECIMALS ±0.02 [0.5]
- THREE PLACE DECIMALS ±0.005 [0.13]

DO NOT SCALE DRAWING

THIS DRAWING DESCRIBES A DESIGN CONSIDERED PROPRIETARY IN NATURE, DEVELOPED AND MANUFACTURED BY SWITCHCRAFT INC. AND IS RELEASED ON A CONFIDENTIAL BASIS FOR IDENTIFICATION PURPOSES ONLY.

SIZE	WIDTH	MULT	LBS/M	TEMPER
FINISH				
SPEC No.			MATERIAL (SEE NOTES)	
FIRST USED ON EP7 SERIES			SCALE 1.5:1	
DATE DRAWN	BY	CHKD	APVD	
6/11/24	PNK	PNK	SRC	
		6/11/24	6/11/24	
NAME			PART No.	
GROMMETS EP7 SERIES, RoHS			P3907 - P3909	
				REV A

Switchcraft®

SHEET 1 OF 1