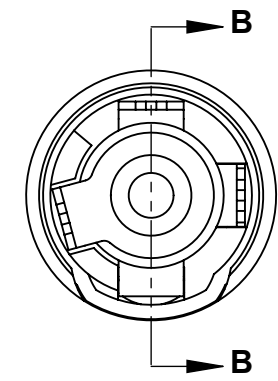
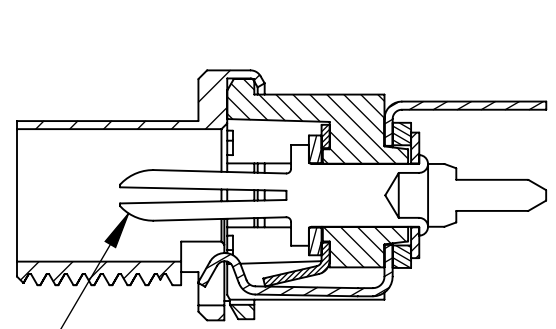


Ø 0.10" (2.5 mm)
CENTER PIN REF

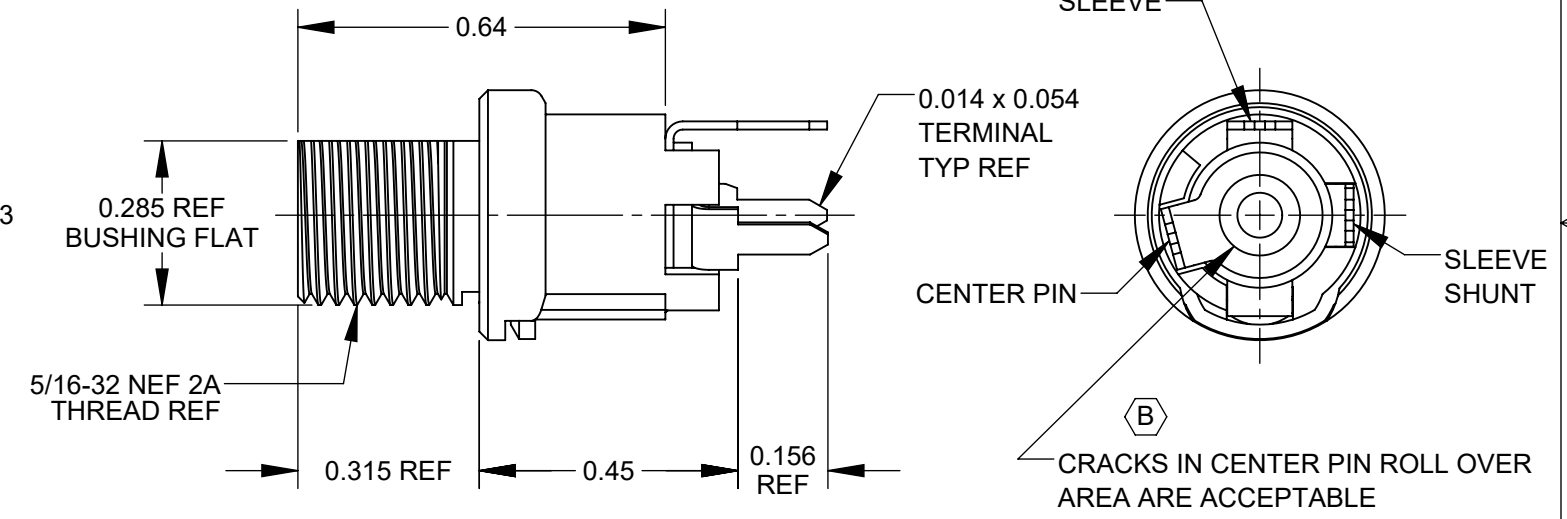
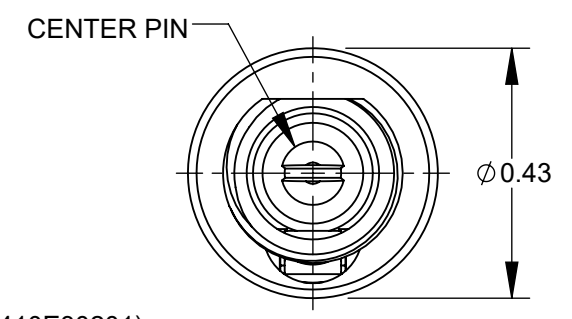
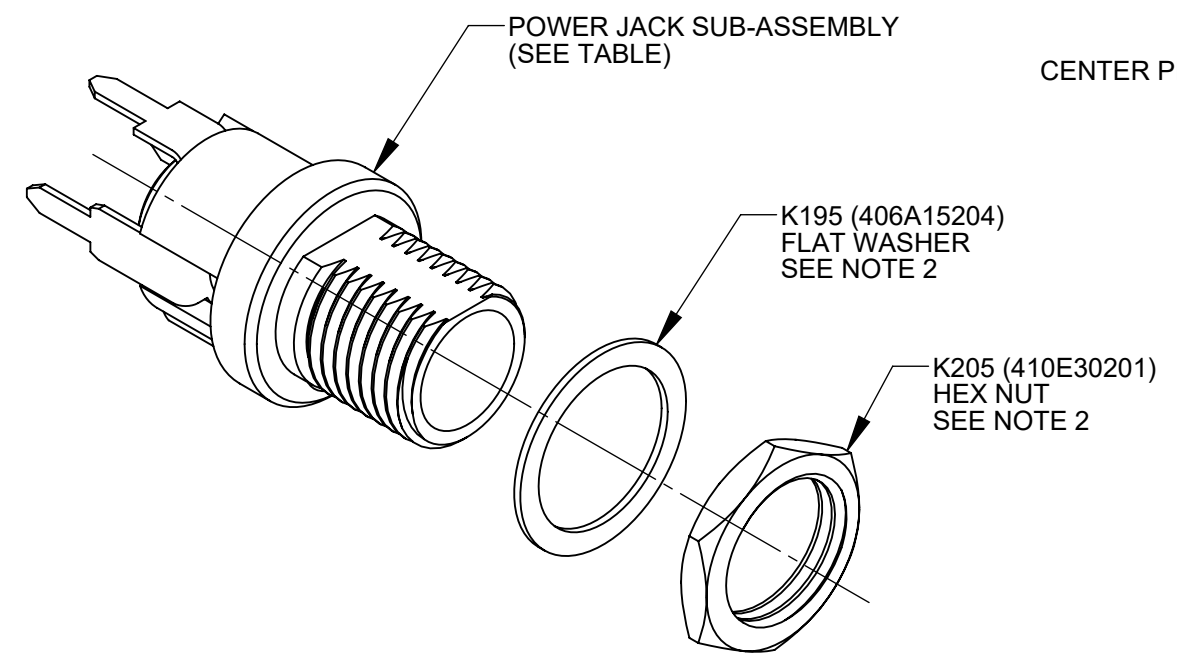
PCL712AH



Ø 0.080" (2.0 mm)
CENTER PIN REF

PCL722AH

PART NUMBER	PART REV	POWER JACK SUB-ASSEMBLY	JACK SIZE REF
PCL712AH	B	730D672	0.10" (2.5 mm)
PCL722AH	B	730D673	0.080" (2.0 mm)



NOTES:

1. SELECT POWER JACK SUB-ASSEMBLY PER TABLE.
2. HEX NUT AND FLAT WASHER SUPPLIED UNASSEMBLED
3. PACK 100 PCS /CARTON
4. THESE PRODUCTS ARE RoHS COMPLIANT

REV	ECO NUMBER	DATE	BY	APVD
B	28397	06/11/21	PC	TJK
A	27941	09/06/17	PC	TJK
REVISIONS				

☆ STAR SYMBOL DENOTES CRITICAL DIMENSION

UNLESS OTHERWISE SPECIFIED

1. ALL DIMENSIONS IN INCHES
 - TWO PLACE DECIMALS ±0.01
 - THREE PLACE DECIMALS ±0.005
 - ANGLES ±1°
 - ALL DIA. CONCENTRIC WITHIN 0.005 T.I.R.

2. FEATURES ON THE SAME CENTERLINE
 MUST BE ALIGNED WITHIN ±0.002

3. REMOVE ALL BURRS

DO NOT SCALE DRAWING

THIS DRAWING DESCRIBES A DESIGN CONSIDERED PROPRIETARY IN NATURE, DEVELOPED AND MANUFACTURED BY SWITCHCRAFT INC. AND IS RELEASED ON A CONFIDENTIAL BASIS FOR IDENTIFICATION PURPOSES ONLY.

SIZE	WIDTH	MULT	LBS/M	TEMPER
FINISH		MATERIAL		
SPEC No.		SPEC No.		
FIRST USED ON		SCALE 3:1		
DATE DRAWN	BY	CHKD	APVD	Switchcraft®
6/21/16	PNK	PNK 6/21/16	SRC 6/21/16	
NAME HT POWER JACKS LONG BUSHING STRAIGHT PC, RoHS				PART No. PCL712AH PCL722AH
				REV B

SHEET 1 OF 1