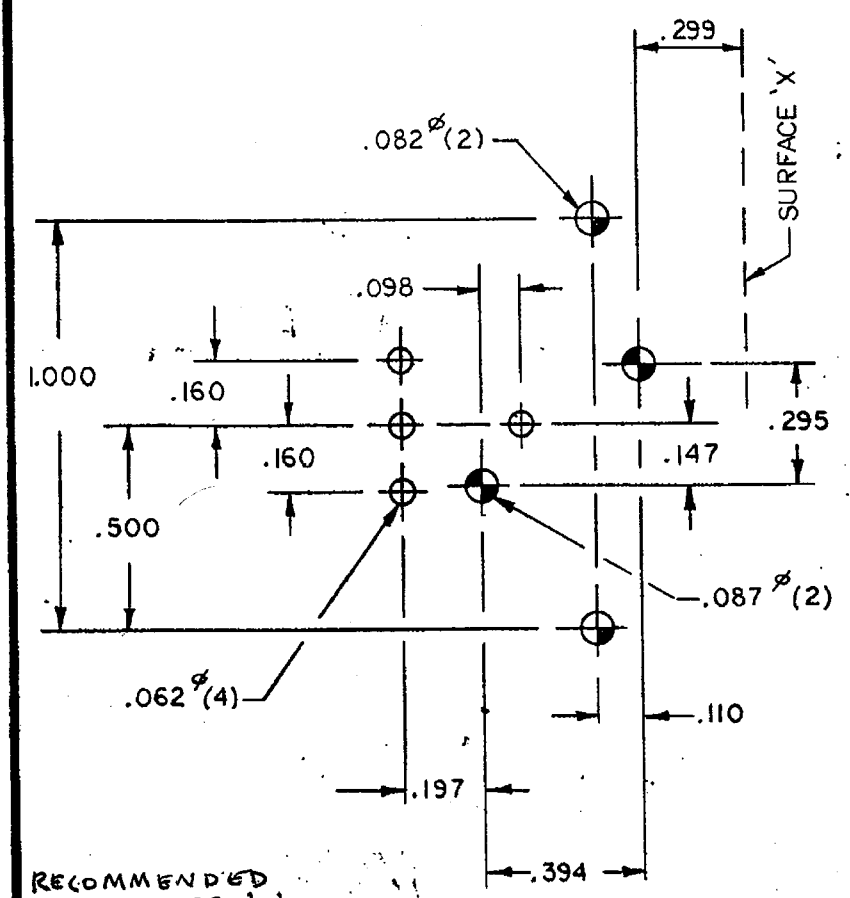
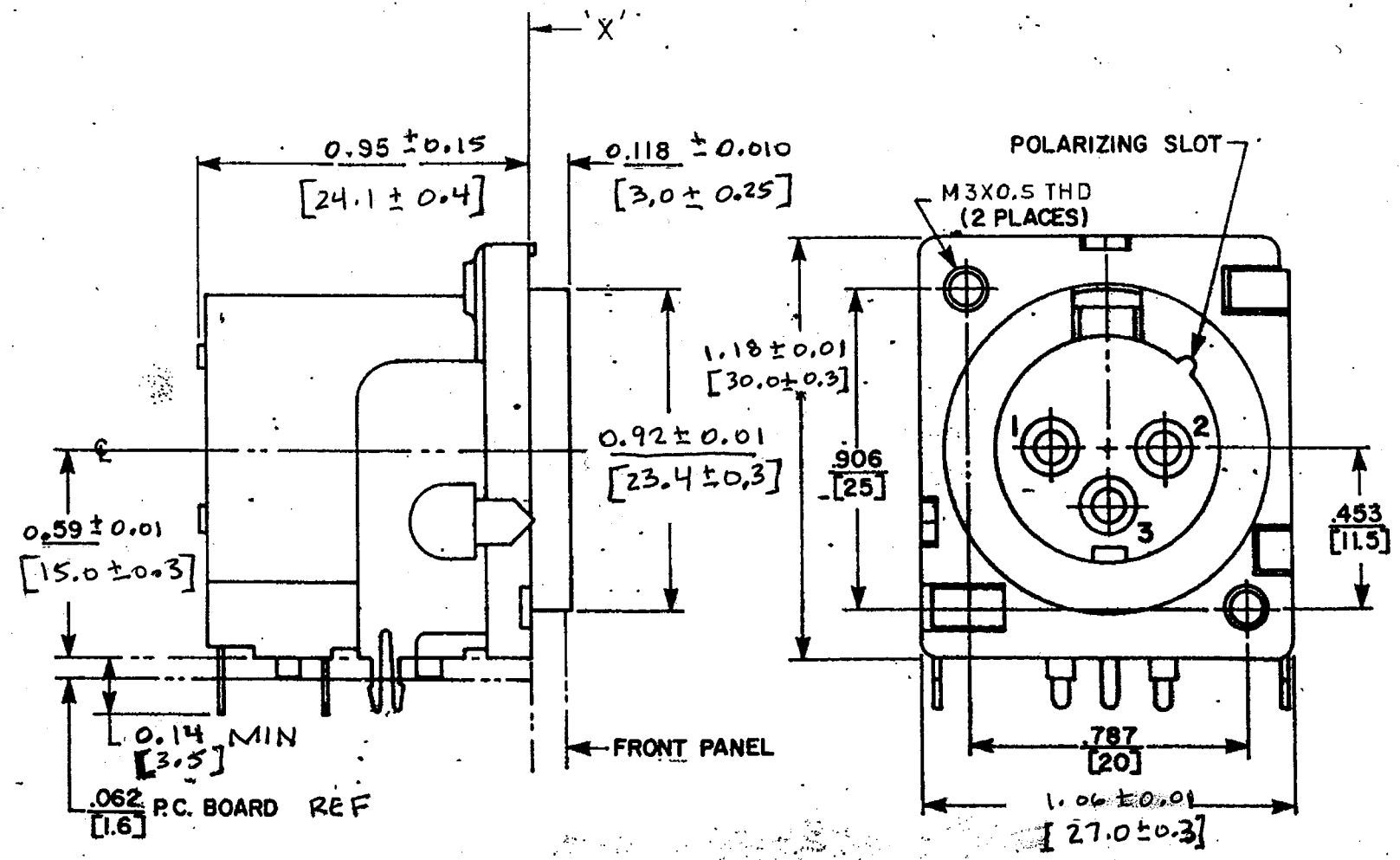


REV	SYMBOL	REVISION	BY	DATE
6		ECO 16492	80	11-15-75



RECOMMENDED
PC PATTERN
COMPONENT SIDE.

CUSTOMER DRAWING

THIS DRAWING DESCRIBES A DESIGN CONSIDERED PROPRIETARY IN NATURE. DEVELOPED AND MANUFACTURED BY SWITCHCRAFT, INC. AND IS RELEASED ON A CONFIDENTIAL BASIS FOR IDENTIFICATION PURPOSE ONLY.			
UNLESS OTHERWISE SPECIFIED:		DRAWN BY BKV	DATE 11-15-75
1. DECIMAL DIMENSIONS ± .005		CHECKED BY BKV	DATE 11-15-75
2. FRACTIONAL DIMENSIONS ± 1/64		APPROVED BY BKV	DATE 11-15-75
3. ANGLES ± 1°		SCALE ~	FINISH
4. ALL DIA'S CONCENTRIC WITHIN .005 TIR		FIRST USED ON	PER FINISH SPEC. NO.
5. ALL DIMENSIONS IN INCHES		NAME PQG RECEPTACLE, MALE, R.A.	MATERIAL
6. FOR THREADS USE UNIFIED PLUG AND RING GAGES ONLY		PART NO. PQG 3MRA 112	PER MAT. SPEC NO.
7. REMOVE ALL BURRS		ISSUE G	
8. PART TO BE FABRICATED AS SPECIFIED MAKE NO DIMENSIONAL ALLOWANCES FOR APPLIED FINISHES, I.E. PLATING, PAINTING ETC		Switchcraft® A Raytheon Company	
9. HOLES ON SAME CENTERLINE MUST BE ALIGNED WITHIN ± .002		SHEET OF	

★ STAR SYMBOL DENOTES CRITICAL DIMENSION
SEE S C ENGINEERING STANDARD ES-0001

WIDTH	SIZE
LEGS PER IN	MULT
	TEMPER

DO NOT SCALE DRAWING

