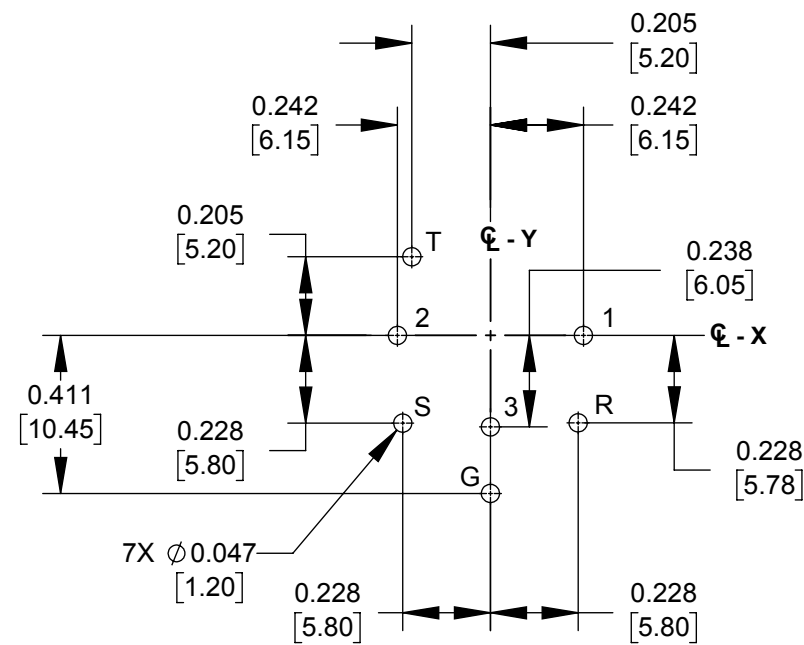
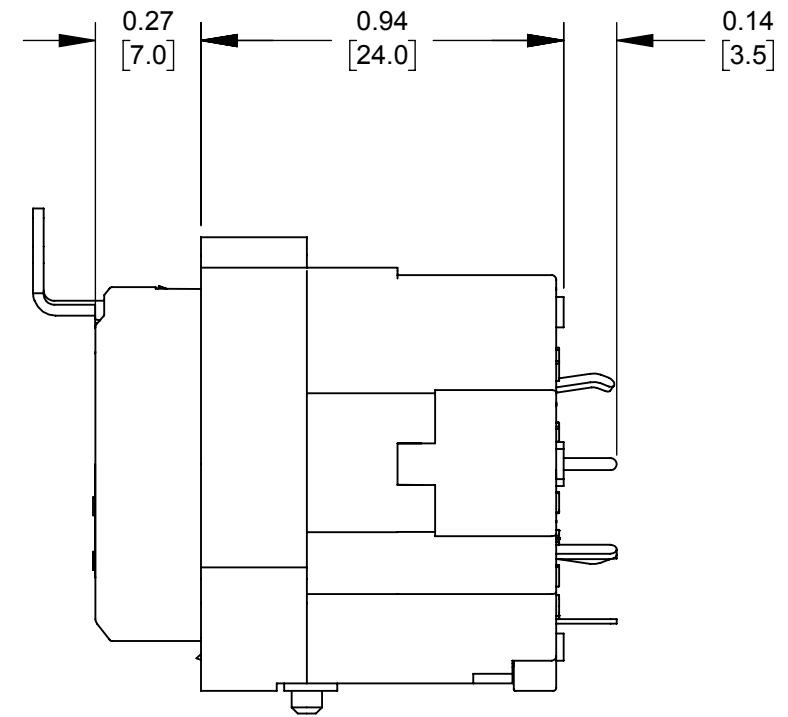
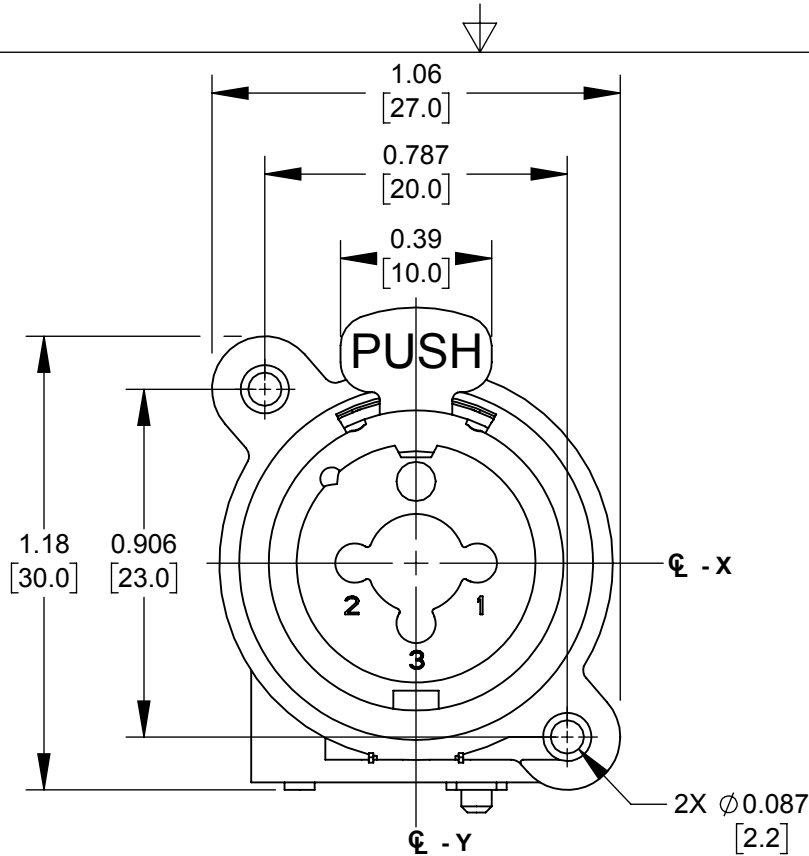
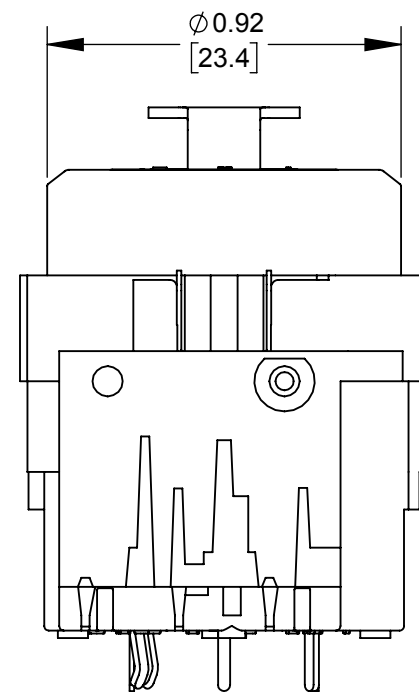


PANEL CUT OUT (FRONT SIDE)



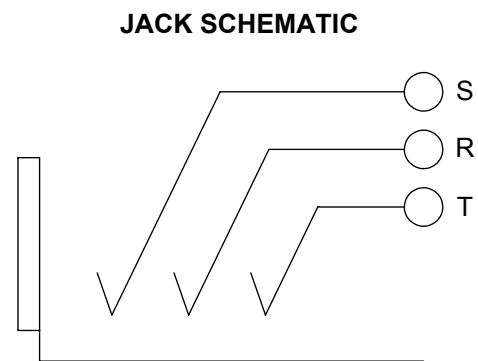
PCB-LAYOUT COMPONENT SIDE



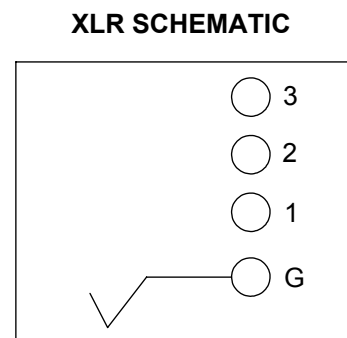
NOTES:

- MATERIALS:  
 HOUSING - BLACK THERMOPLASTIC  
 CONTACTS - COPPER ALLOY GOLD PLATED  
 PUSH BUTTON/SPRING - COPPER ALLOY NICKEL PLATED  
 GROUND SPRING - COPPER ALLOY SILVER PLATED
- OPERATING SPECS:  
 OPERATING/STORAGE TEMP: -30°C TO 80°C  
 RATED VOLTAGE/RATE CURRENT: 50V/7.5A  
 INSULATION RESISTANCE: 1/4 JACK: 100MΩ, XLR: INTIAL 2GΩ, AFTER DAMP HEAT:>0.5GΩ  
 CONTACT RESISTANCE: **1/4 JACK:** 50mΩ, **XLR:** 30mΩ  
 DIELECTRIC STRENGTH: **1/4 JACK:** 0.5mA, AC 500V. **XLR:** 0.5mA, AC 500V  
 LIFE: **1/4 JACK:** 2,000 CYCLES, **XLR:** 1000 CYCLES
- THIS PRODUCT IS RoHS COMPLIANT

CUSTOMER DRAWING



JACK SCHEMATIC



XLR SCHEMATIC

REV	ECO NUMBER	DATE	BY	APVD
B	28068	8/30/18	TJK	TJK
A	27996	2/8/18	TJK	TJK

REVISIONS

UNLESS OTHERWISE SPECIFIED  
 1. ALL DIMENSIONS IN INCHES [mm]  
 - TWO PLACE DECIMALS ±0.02 [0.5]  
 - THREE PLACE DECIMALS ±0.005 [0.13]

DO NOT SCALE DRAWING

THIS DRAWING DESCRIBES A DESIGN CONSIDERED PROPRIETARY IN NATURE, DEVELOPED AND MANUFACTURED BY SWITCHCRAFT INC. AND IS RELEASED ON A CONFIDENTIAL BASIS FOR IDENTIFICATION PURPOSES ONLY.							
SIZE	WIDTH	MULT	LBS/M	TEMPER			
FINISH SPEC No.				MATERIAL SPEC No.			
FIRST USED ON			SCALE 2:1				
DATE DRAWN	BY	CHKD	APVD	Switchcraft®			
1/8/17	AB	AB	TJK	SHEET 1 OF 1			
			1/8/17	2/16/18		PART No. PXCST	
NAME 1/4" PLUG AND 3 PIN XLR, COMBO JACK, STRAIGHT PC, RoHS				REV B			