

CUSTOMER PRINT

PART NUMBER: SF6X82-XPG-520

**NOTES:**

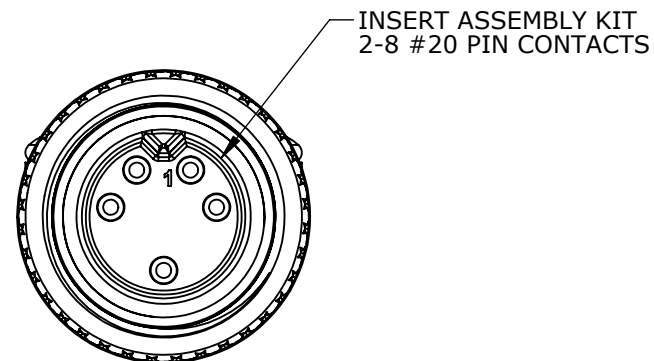
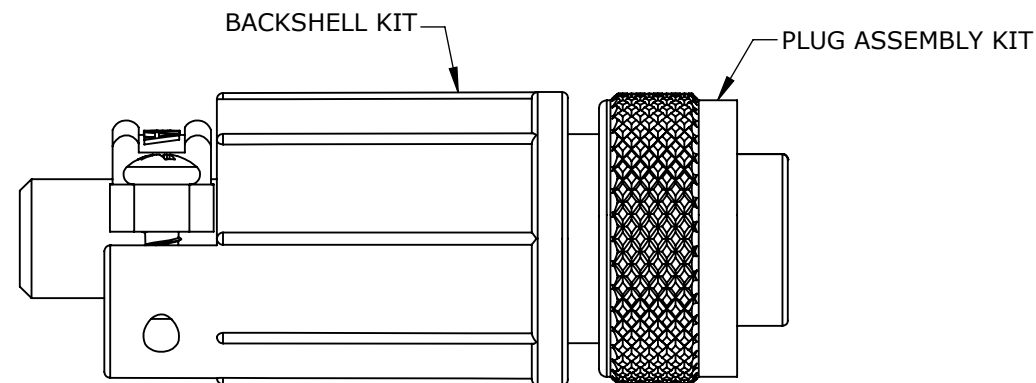
1. ALL PARTS ARE TO BE PLACED IN 5 IN. X 7 IN. POLY BAG WITH INSTRUCTION SHEET.
2. LABEL TO BE MARKED WITH PART NUMBER AND DATE CODE.

CABLE END WITH PIN CONTACTS PART NUMBERS:

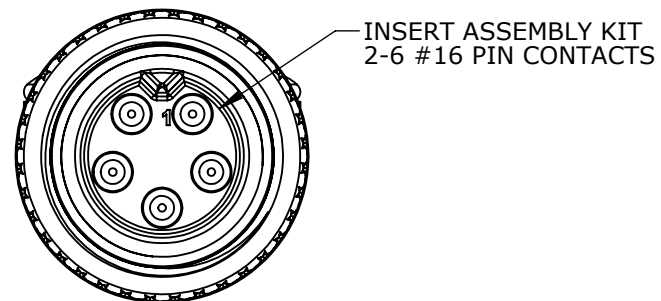
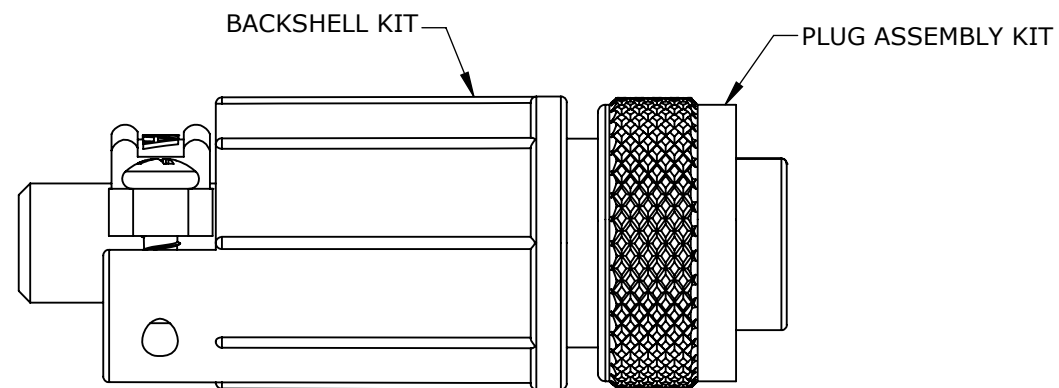
**S F 6 X 8 2 - X P G - 5 2 0**

# OF CONTACTS  
2-8 FOR #20 PINS  
2-6 FOR #16 PINS

CONTACT SIZE  
2- #20 PINS  
3- #16 PINS



**CABLE END SF6282-5PG-520, (5) #20 PINS SHOWN**




**CABLE END SF6382-5PG-520, (5) #16 PINS SHOWN**

**CUSTOMER APPROVAL**

THIS DOCUMENT CONTAINS CONFIDENTIAL INFORMATION PROPRIETARY TO CONXALL CORPORATION. ANY REPRODUCTION, DISCLOSURE, OR USE OF THIS DOCUMENT /INFORMATION IS EXPRESSLY PROHIBITED UNLESS AUTHORIZED IN WRITING BY CONXALL CORPORATION.

APPROVED BY: \_\_\_\_\_

DATE: \_\_\_\_\_

A	BZ	07-21-09	DRAWING CREATED PER DOR 09-E149SL	
REV.	INIT.	DATE	DESCRIPTION	
	BZ	07-21-09	ORIG. DRAWN BY: DATE: 07-21-09	
ALL INFORMATION ILLUSTRATED IS THE PROPERTY OF "CONXALL CORPORATION". UNAUTHORIZED DUPLICATION OR DISTRIBUTION OF THIS DOCUMENT IS PROHIBITED.			 601 E. WILDWOOD VILLA PARK, IL 60181	
ALL UNITS ARE IN FEET, INCHES, FRACTION OF INCHES AND DECIMALS.				
APPROVED BY:			TITLE: CABLE END ASSEMBLY #16 & #20 PIN CONTACTS SHIELDED MINI-CON-X STANDARD PRODUCT	
SCALE	SIZE	SHEET	CUSTOMER:	
NTS	B	1 OF 1	STANDARD PRODUCT	
FILE:	DIRECTORY:	PART NUMBER:	REV	
SF6X82-XPG-520	SLW	SF6X82-XPG-520	A	