

CUSTOMER PRINT

PART NUMBER: SF6X82-XSG-520

NOTES:

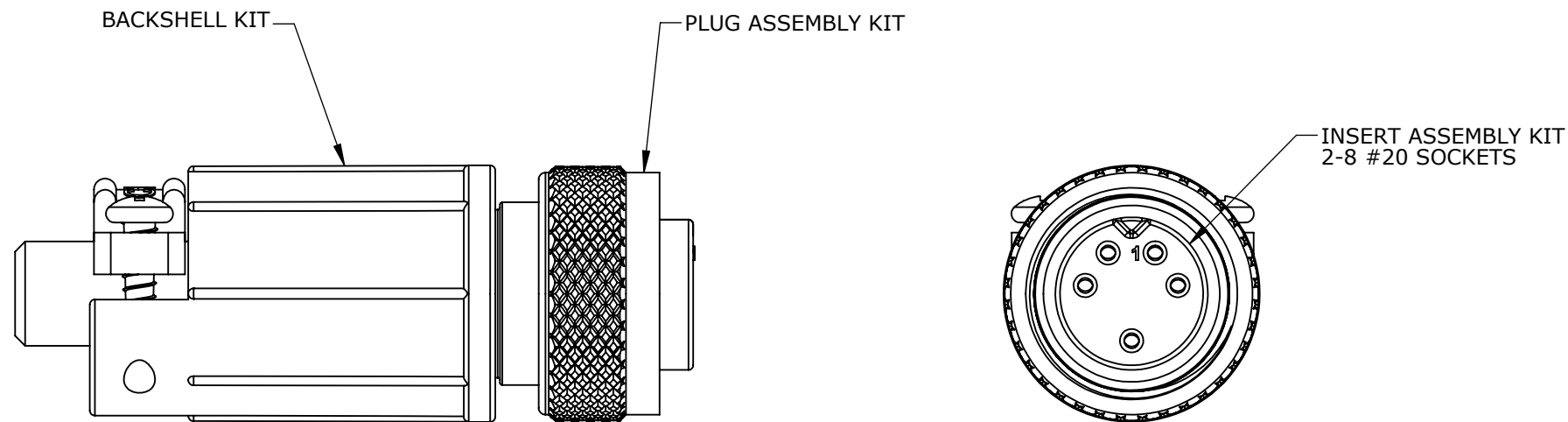
1. ALL PARTS ARE TO BE PLACED IN 5 IN. X 7 IN. POLY BAG WITH INSTRUCTION SHEET.
2. LABEL TO BE MARKED WITH PART NUMBER AND DATE CODE.

CABLE END WITH SOCKET CONTACTS PART NUMBERS:

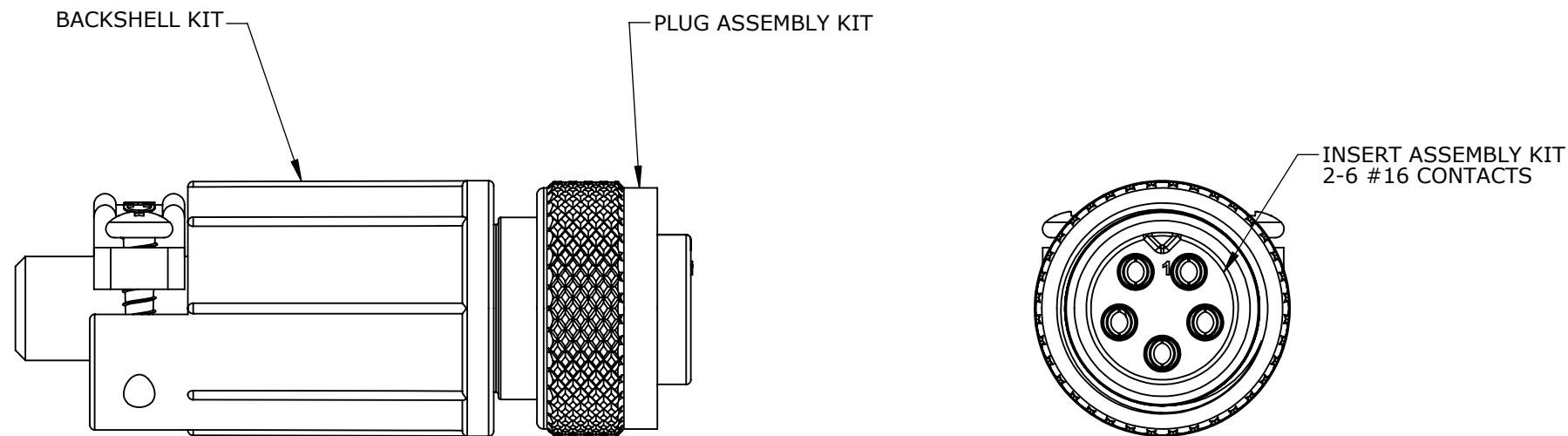
S F 6 X 8 2 - X S G - 5 2 0

OF CONTACTS
2-8 FOR #20 SOCKETS
2-6 FOR #16 SOCKETS

CONTACT SIZE
2- #20 SOCKETS
3- #16 SOCKETS



CABLE END SF6282-5SG-520, (5) #20 SOCKETS SHOWN




CABLE END SF6382-5SG-520, (5) #16 SOCKETS SHOWN

CUSTOMER APPROVAL

THIS DOCUMENT CONTAINS CONFIDENTIAL INFORMATION PROPRIETARY TO CONXALL CORPORATION. ANY REPRODUCTION, DISCLOSURE, OR USE OF THIS DOCUMENT /INFORMATION IS EXPRESSLY PROHIBITED UNLESS AUTHORIZED IN WRITING BY CONXALL CORPORATION.

APPROVED BY: _____

DATE: _____

A	BZ	03-26-09	DRAWING CREATED PER DOR 09-1329CM	
REV.	INIT.	DATE	DESCRIPTION	
	BZ	03-26-09	ORIG. DRAWN BY: _____ DATE: 03-26-09 CHECKED BY: _____ APPROVED BY: _____	
ALL INFORMATION ILLUSTRATED IS THE PROPERTY OF "CONXALL CORPORATION." UNAUTHORIZED DUPLICATION OR DISTRIBUTION OF THIS DOCUMENT IS PROHIBITED.			 601 E. WILDWOOD VILLA PARK, IL 60181	
ALL UNITS ARE IN FEET, INCHES, FRACTION OF INCHES AND DECIMALS. UNLESS OTHERWISE SPECIFIED TOLERANCES: 3 PLACE DECIMALS ±.005 ANGLES ±1° FRACTIONS ±1/16 ▽ - CRITICAL CHARACTERISTIC FLAG PER SPEC. XXXX				
SCALE	SIZE	SHEET	TITLE:	
NTS	B	1 OF 1	CABLE END ASSEMBLY #16 & #20 SOCKET CONTACTS SHIELDED MINI-CON-X STANDARD PRODUCT	
FILE:	DIRECTORY:	PART NUMBER:	CUSTOMER:	
SF6X82-XSG-520	SLW	SF6X82-XSG-520	STANDARD PRODUCT	
			REV	
			A	