

CUSTOMER PRINT

NOTES:

1. FINISHED ASSEMBLIES AND LOOSE PARTS BAGGED.
2. LABEL WITH CONXALL PART NUMBER, DATE CODE AND P/N BARCODE PLACED ON BAG
3. SEE DRAWING HPSFMISTD FOR HOLE PATTERNS
4. FOR FIELD INSTALLATION, SEE INSTRUCTION SHEET 2 OF 2
5. ALL DIMENSIONS ARE REFERENCE EXCEPT THOSE WITH A TOLERANCE
6. DIMENSIONS IN BRACKETS [] ARE IN MILLIMETERS
7. CRIMP CONTACTS SUPPLIED UNASSEMBLED

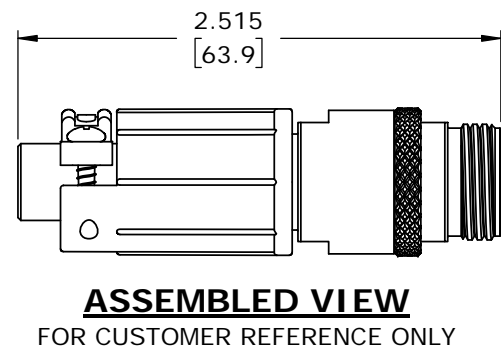
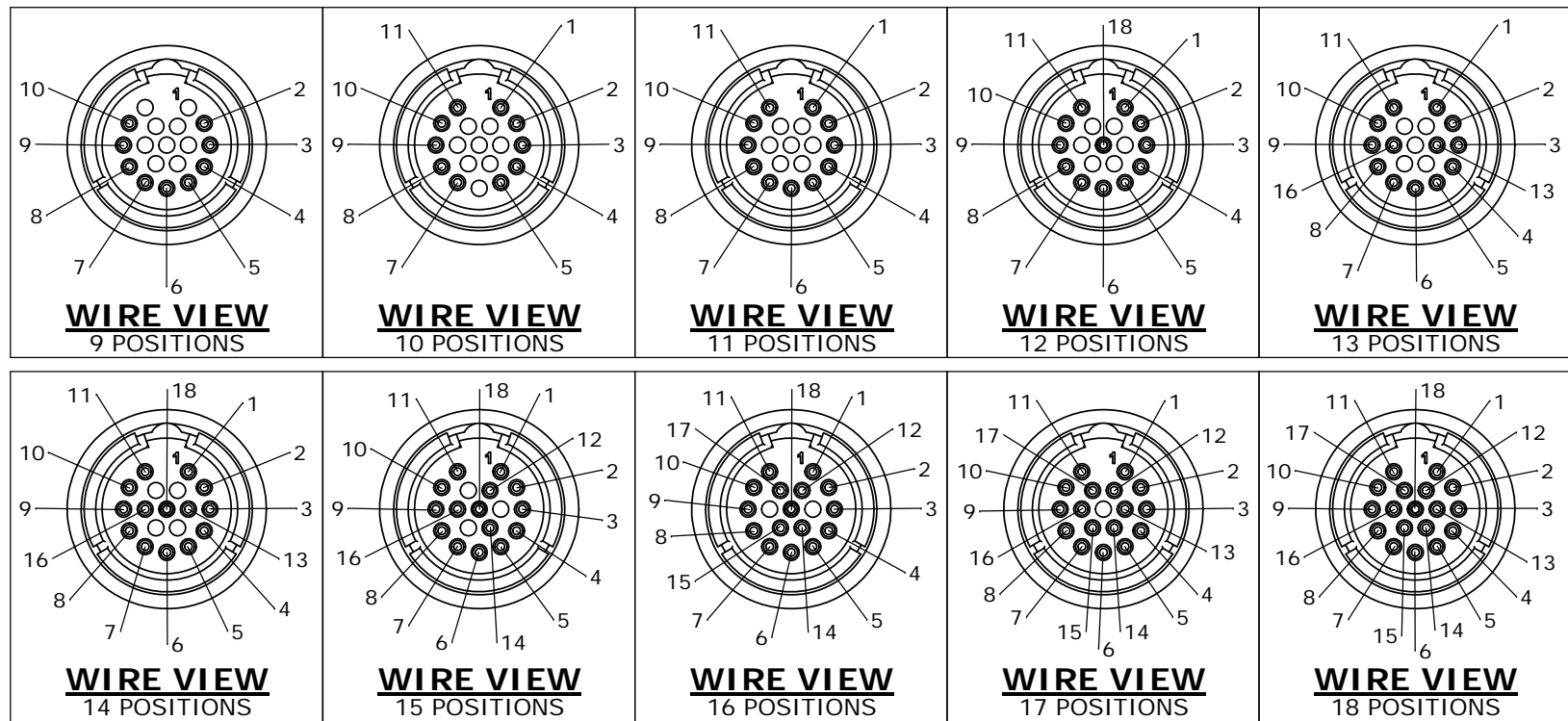
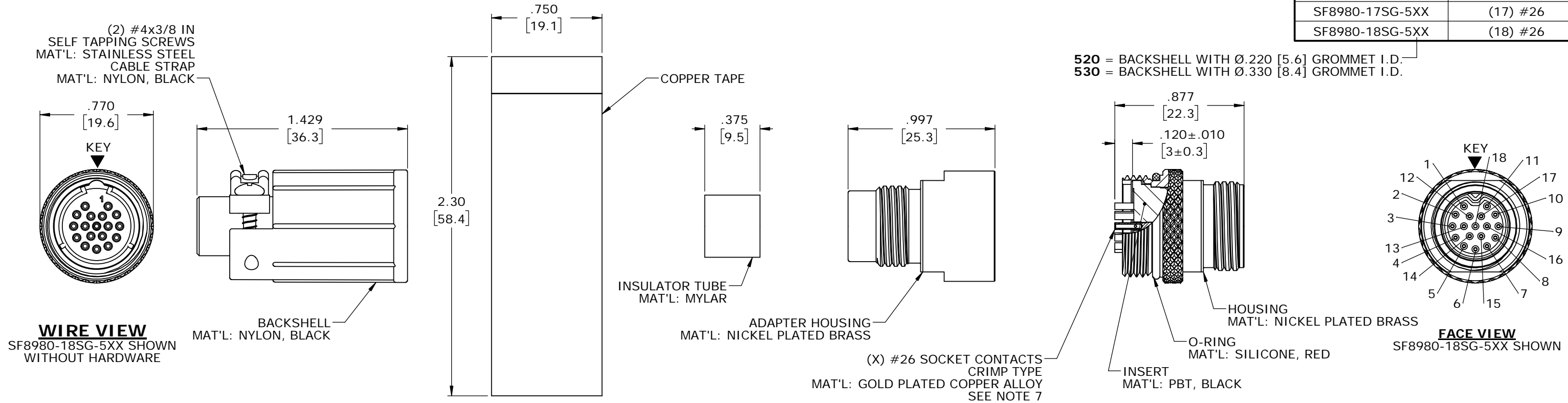
CUSTOMER APPROVAL

THIS DOCUMENT CONTAINS CONFIDENTIAL INFORMATION PROPRIETARY TO CONXALL CORPORATION. ANY REPRODUCTION, DISCLOSURE, OR USE OF THIS DOCUMENT /INFORMATION IS EXPRESSLY PROHIBITED UNLESS AUTHORIZED IN WRITING BY CONXALL CORPORATION.

APPROVED BY: _____

DATE: _____

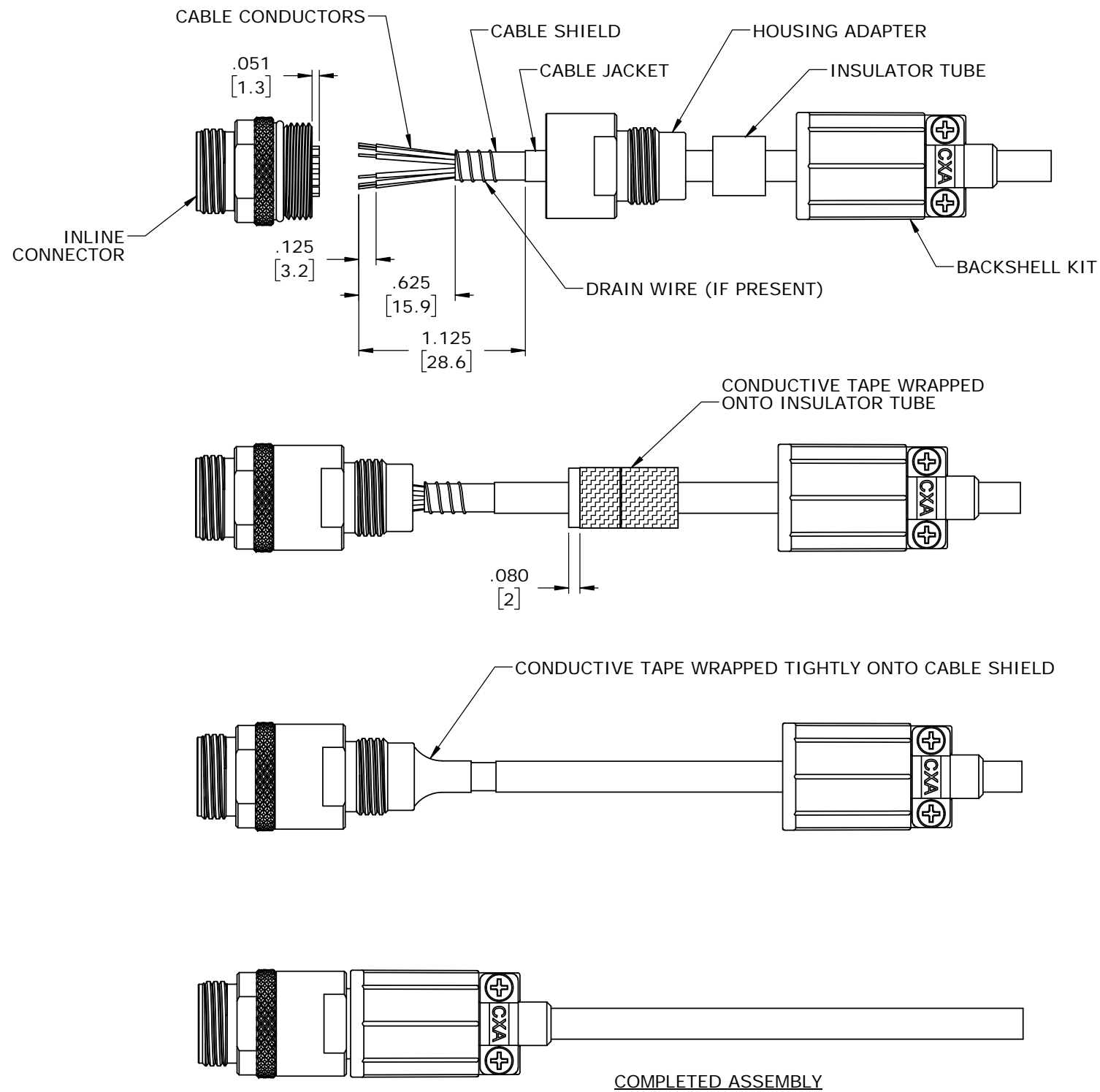
ASSEMBLY P/N	NO. OF CONTACT
SF8980-9SG-5XX	(9) #26
SF8980-10SG-5XX	(10) #26
SF8980-11SG-5XX	(11) #26
SF8980-12SG-5XX	(12) #26
SF8980-13SG-5XX	(13) #26
SF8980-14SG-5XX	(14) #26
SF8980-15SG-5XX	(15) #26
SF8980-16SG-5XX	(16) #26
SF8980-17SG-5XX	(17) #26
SF8980-18SG-5XX	(18) #26



RoHS COMPLIANT

A	MA	01-31-19	RELEASED PER PDR 17011
	PNK	9-28-18	RES-79 CHANGED TO RES-78. O-RING 4290S REPLACES SF6290S-1.
	PNK	1-30-18	DRAWING CREATED PER PDR 17011
REV.	INIT.	DATE	DESCRIPTION
	PNK	1-30-18	ORIG. DRAWN BY: DATE: 1-30-18
ALL INFORMATION ILLUSTRATED IS THE PROPERTY OF CONXALL CORPORATION. UNAUTHORIZED DUPLICATION OR DISTRIBUTION OF THIS DOCUMENT IS PROHIBITED.			
ALL UNITS ARE IN FEET, INCHES, FRACTION OF INCHES AND DECIMALS.			
UNLESS OTHERWISE SPECIFIED TOLERANCES: 3 PLACE DECIMALS ±.005 ANGLES ±1° FRACTIONS ±1/16			
△ = CRITICAL CHARACTERISTIC FLAG PER SPEC. XXXX			
APPROVED BY:		TITLE: CABLE-TO-CABLE ASSEMBLY (9-18) #26 SOCKET CONTACTS, CRIMP SHIELDED MINI-CON-X STANDARD PRODUCT	
SCALE: NTS	SIZE: B	SHEET: 1 OF 2	CUSTOMER: SF8980-XSG-5XX
FILE: SF8980-XSG-5XX	DIRECTORY: SLW	PART NUMBER: SF8980-XSG-5XX	REV: A

PART NUMBER: SF8980-XSG-5XX



CABLE WIRING AND ASSEMBLY INSTRUCTIONS:

- STEP 1.** SLIDE HOUSING ADAPTER, INSULATOR TUBE, AND BACKSHELL KIT, ONTO CABLE IN THE ORDER SHOWN.
- STEP 2.** STRIP CABLE JACKET AND WIRES TO LENGTH. EXCESS CABLE SHIELD MUST BE TRIMMED OR WRAPPED AROUND WIRES. IF PRESENT, USE THE DRAIN WIRE TO WRAP THE CABLE SHIELD IN PLACE.
- STEP 3.** CRIMP WIRES TO CONTACTS.
- STEP 3A.** INSERT THE WIRED CONTACT INTO THE CAVITY AND FIRMLY PUSH THE CONTACT UNTIL IT LOCKS INTO PLACE. GIVE A SLIGHT PULL ON THE WIRE TO INSURE THE CONTACT IS SEATED. THE CONTACT BARREL SHOULD PROJECT BEYOND THE INSERT ACCORDING TO DIMENSION ABOVE.
- STEP 4.** THREAD HOUSING ADAPTER ONTO CONNECTOR AND TIGHTEN TO 5 LB-IN [0.56 N-m] MINIMUM TORQUE.
- STEP 5.** PEEL-OFF THE BACKING OF THE CONDUCTIVE TAPE AND WRAP IT AROUND THE INSULATOR AS SHOWN.
- STEP 6.** SLIDE INSULATOR/CONDUCTIVE TAPE INTO THE BACK OF THE CONNECTOR. FORM FREE END OF CONDUCTIVE TAPE TIGHTLY ONTO THE SHIELD OF THE CABLE.
- STEP 7.** SLIDE AND THREAD THE BACKSHELL KIT ONTO CONNECTOR. TIGHTEN TO 5 LB-IN [0.56 N-m] MINIMUM TORQUE.
- STEP 8.** TIGHTEN THE TWO BACKSHELL SCREWS TO SECURE THE CABLE IN THE BACKSHELL.

MA	04-03-19	RELEASED PER PDR 17011
A	PNK	9-28-18
	PNK	9-28-18
REV.	INIT.	DATE
ALL INFORMATION ILLUSTRATED IS THE PROPERTY OF CONXALL CORPORATION. UNAUTHORIZED DUPLICATION OR DISTRIBUTION OF THIS DOCUMENT IS PROHIBITED.		ORIG. DRAWN BY: PNK
UNLESS OTHERWISE SPECIFIED TOLERANCES: 3 PLACE DECIMALS ± .005 ANGLES ± 1° FRACTIONS ± 1/16		DATE: 1-30-18
ALL UNITS ARE IN FEET, INCHES, FRACTION OF INCHES AND DECIMALS.		CHECKED BY:
APPROVED BY:		TITLE: CABLE-TO-CABLE ASSEMBLY (9-18) #26 SOCKET CONTACTS, CRIMP SHIELDED MINI-CON-X STANDARD PRODUCT
SCALE: NTS	SIZE: B	SHEET: 2 OF 2
FILE: FILE NAME	DIRECTORY: SLW	CUSTOMER: SF8980-XSG-5XX
PART NUMBER: SF8980-XSG-5XX		REV: A