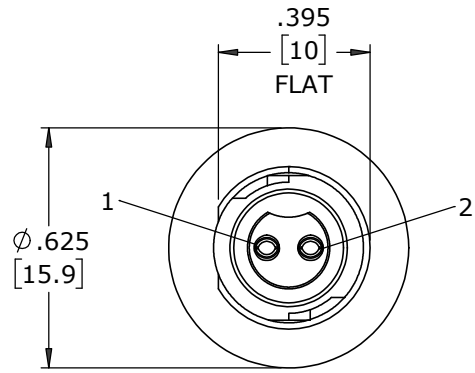


ASS'Y P/N	NO. OF CONTACTS
W17291-2SG-P-3ES	2 #20
W17291-3SG-P-3ES	3 #20

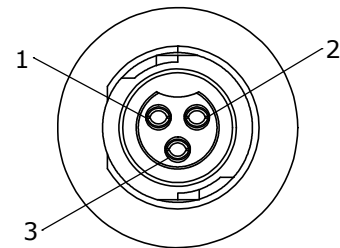
NOTES:

- PANEL CONNECTORS TO BE PACKED IN PARTITION BOX, 200 PC PER BOX
HEX NUT AND GASKET TO BE BULK PACKED IN A SEPARATE BAG
FROM PANEL ASSEMBLY PACKAGE.
a) INNER BOX LABELED WITH CXA PART NUMBER, QUANTITY, LOT #
AND DATE CODE AS SHOWN
- CONTACTS ARE INSERTED INTO PANEL CONNECTOR.
- BACK END OF CONNECTOR FILLED WITH EPOXY
- SEE DRAWING HPMCSTD FOR HOLE PATTERN
- ALL DIMENSIONS ARE FOR REFERENCE ONLY UNLESS OTHERWISE SPECIFIED.

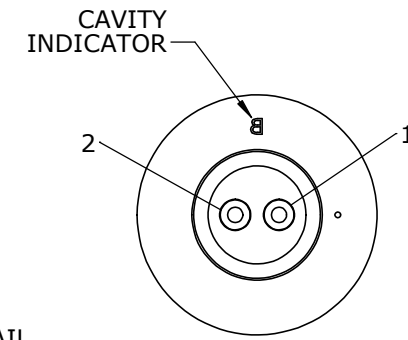
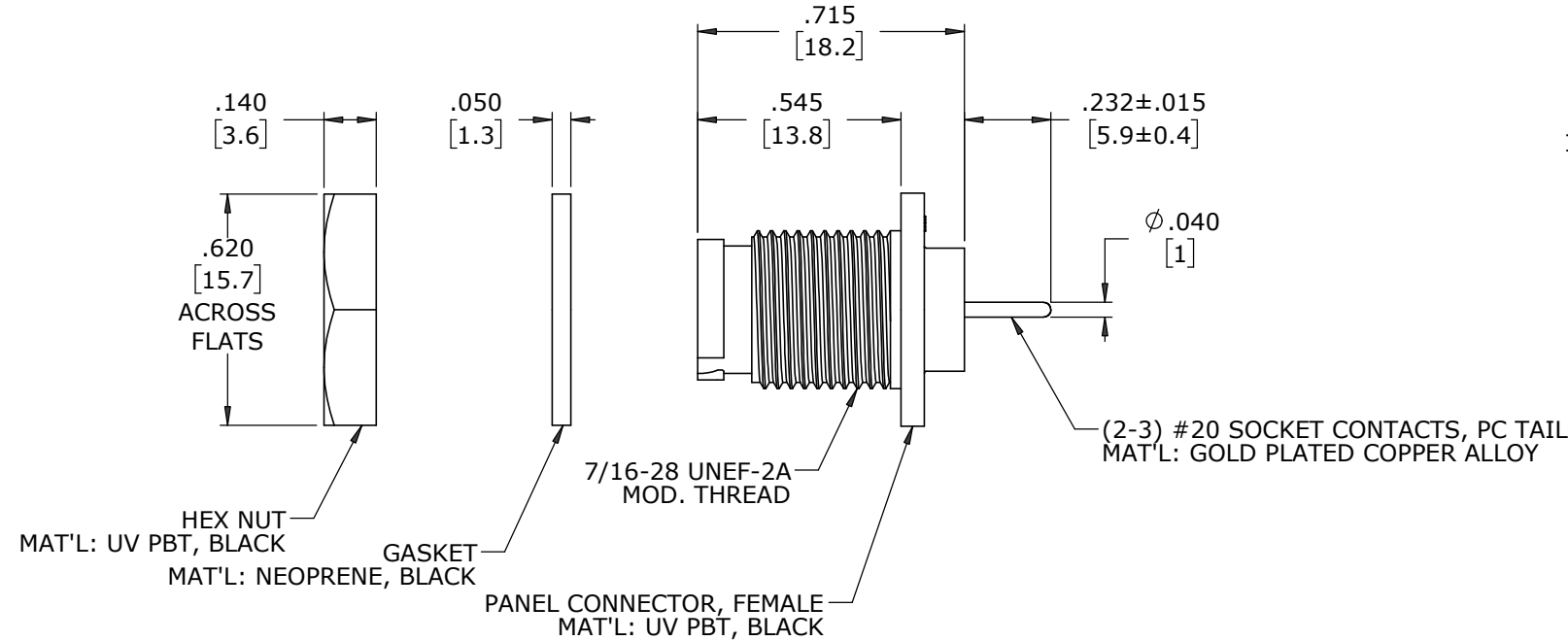
P/N: W17291-XSG-P-3ES
CONXALL
QTY:
Lot:
Date Code:



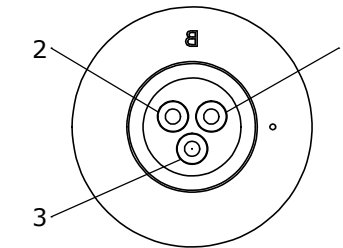
FACE VIEW
W17291-2SG-P-3ES



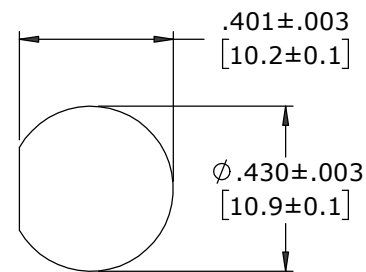
FACE VIEW
W17291-3SG-P-3ES



WIRE VIEW
W17291-2SG-P-3ES



WIRE VIEW
W17291-3SG-P-3ES



**RECOMMENDED
PANEL CUT-OUT**

CUSTOMER APPROVAL

THIS DOCUMENT CONTAINS CONFIDENTIAL INFORMATION PROPRIETARY TO CONXALL CORPORATION. ANY REPRODUCTION, DISCLOSURE, OR USE OF THIS DOCUMENT /INFORMATION IS EXPRESSLY PROHIBITED UNLESS AUTHORIZED IN WRITING BY CONXALL CORPORATION.

APPROVED BY: _____
DATE: _____

A	MA	08-13-20	DRAWING CREATED PER PDR 18004-2
REV.	INIT.	DATE	DESCRIPTION
	MA	08-13-20	ORIG. DRAWN BY: DATE: MA 08-13-20
ALL INFORMATION ILLUSTRATED IS THE PROPERTY OF CONXALL CORPORATION. UNAUTHORIZED DUPLICATION OR DISTRIBUTION OF THIS DOCUMENT IS PROHIBITED.			<p>601 E. WILDWOOD VILLA PARK, IL 60181</p>
ALL UNITS ARE IN FEET, INCHES, FRACTIONS OF INCHES AND DECIMALS.			
APPROVED BY:		TITLE: PANEL ASSEMBLY (2-3) #20 SOCKET CONTACTS, PC TAIL INSTA-CLICK™ MICRO-CON-X STANDARD PRODUCT	
SCALE	SIZE	SHEET	CUSTOMER:
NTS	B	1 OF 1	W17291-XSG-P-3ES
FILE:	DIRECTORY:	PART NUMBER:	REV
W17291-XSG-P-3ES	SLW	W17291-XSG-P-3ES	A

DIMENSIONS IN BRACKETS [] ARE IN MILLIMETERS UNLESS INDICATED

RoHS COMPLIANT

▷ - CRITICAL CHARACTERISTIC FLAG PER SPEC. XXXX

CUSTOMER PRINT

PART NUMBER: W17291-XSG-P-3ES