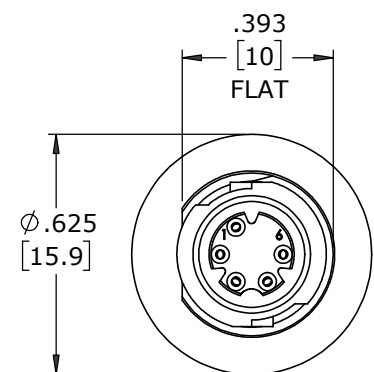


CUSTOMER PRINT

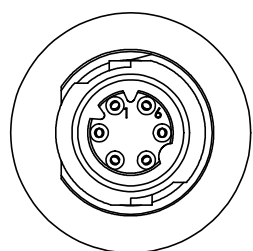
PART NUMBER: W17982-XSG-P-3ES

- NOTES:  
 1. ALL PARTS TO BE BULK PACKED  
 2. CONTACTS INSERTED INTO CONNECTOR WITH SOLDER CUPS FACING OUTWARD RADIALLY. CENTER CONTACT SHOULD BE FACING BETWEEN POSITIONS 1 AND 6  
 3. BACK END OF CONNECTOR FILLED WITH EPOXY  
 4. ALL DIMENSIONS ARE REFERENCE EXCEPT THOSE WITH A TOLERANCE

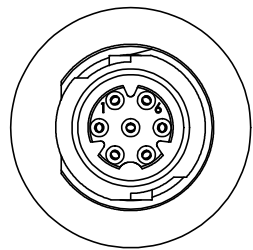
ASS'Y P/N	NO. OF CONTACTS	KEY STYLE
W17982-5SG-P-3ES	5 #26	A-KEY
W17982-6SG-P-3ES	6 #26	B-KEY
W17982-7SG-P-3ES	7 #26	A-KEY



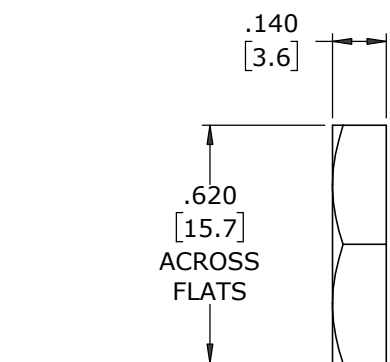
**FACE VIEW**  
 W17982-5SG-P-3ES  
 5 POSITION  
 A-KEY



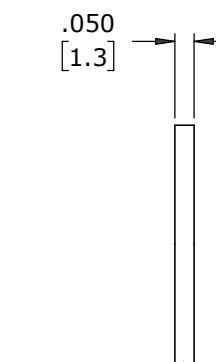
**FACE VIEW**  
 W17982-6SG-P-3ES  
 6 POSITION  
 B-KEY



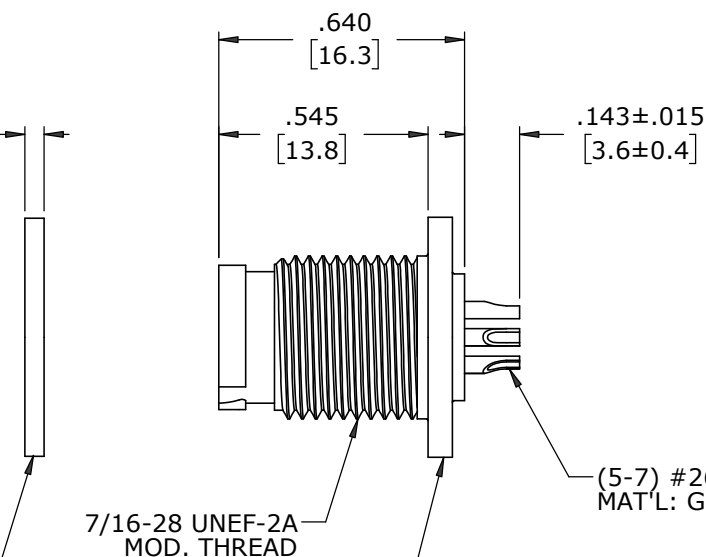
**FACE VIEW**  
 W17982-7SG-P-3ES  
 7 POSITION  
 A-KEY



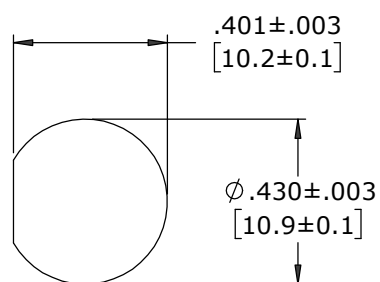
HEX NUT  
 MAT'L: UV PBT, BLACK



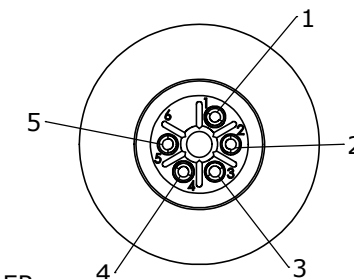
GASKET  
 MAT'L: NEOPRENE, BLACK



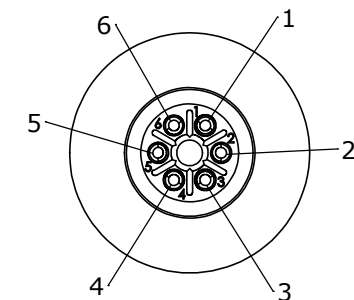
PANEL CONNECTOR, FEMALE  
 MAT'L: UV PBT, BLACK



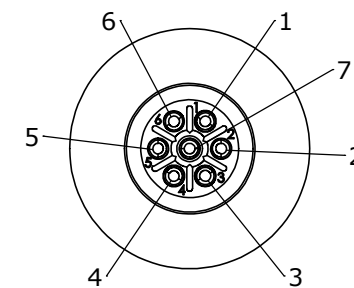
**RECCOMENDED  
 PANEL CUT-OUT**



**WIRE VIEW**  
 W17982-5SG-P-3ES



**WIRE VIEW**  
 W17982-6SG-P-3ES



**WIRE VIEW**  
 W17982-7SG-P-3ES

**CUSTOMER APPROVAL**

THIS DOCUMENT CONTAINS CONFIDENTIAL INFORMATION PROPRIETARY TO CONXALL CORPORATION. ANY REPRODUCTION, DISCLOSURE, OR USE OF THIS DOCUMENT /INFORMATION IS EXPRESSLY PROHIBITED UNLESS AUTHORIZED IN WRITING BY CONXALL CORPORATION.

APPROVED BY: \_\_\_\_\_  
 DATE: \_\_\_\_\_

A	MA	08-10-20	DRAWING CREATED PER PDR 18004-2
REV.	INIT.	DATE	DESCRIPTION
	MA	08-10-20	ORIG. DRAWN BY: DATE: MA 08-10-20
ALL INFORMATION ILLUSTRATED IS THE PROPERTY OF "CONXALL CORPORATION". UNAUTHORIZED DUPLICATION OR DISTRIBUTION OF THIS DOCUMENT IS PROHIBITED.			 601 E. WILDWOOD VILLA PARK, IL 60181
ALL UNITS ARE IN FEET, INCHES, FRACTION OF INCHES AND DECIMALS.			
APPROVED BY:		TITLE: PANEL MOUNT ASSEMBLY (5-7) #26 SOCKET CONTACTS, SOLDER INSTA-CLICK™ MICRO-CON-X STANDARD PRODUCT	
SCALE	SIZE	SHEET	CUSTOMER:
NTS	B	1 OF 1	W17982-XSG-P-3ES
FILE:	DIRECTORY:	PART NUMBER:	REV
W17982-XSG-P-3ES	SLW	W17982-XSG-P-3ES	A

DIMENSIONS IN BRACKETS [ ] ARE IN MILLIMETERS UNLESS INDICATED

**RoHS COMPLIANT**