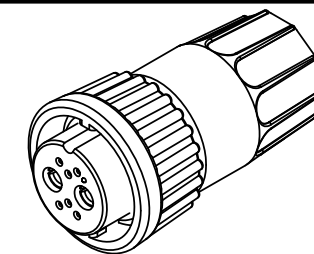
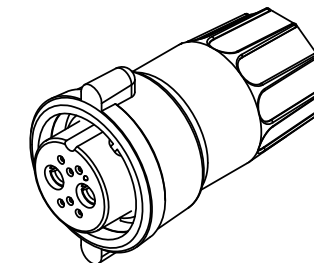


- NOTES:  
 1. PARTS TO BE BULK PACKED.  
 2. SOLDER CONTACTS ARE PRESSED INTO CONNECTOR.  
 SIZE 12 AND SIZE 26 (POSITIONS 3, 7, 8) CONTACTS FACE TOP KEY (UP).  
 SIZE 26 CONTACTS (POSITIONS 4-6) FACE DOWN.  
 3. ALL DIMENSIONS ARE FOR REFERENCE ONLY EXCEPT WHERE NOTED WITH TOLERANCE.

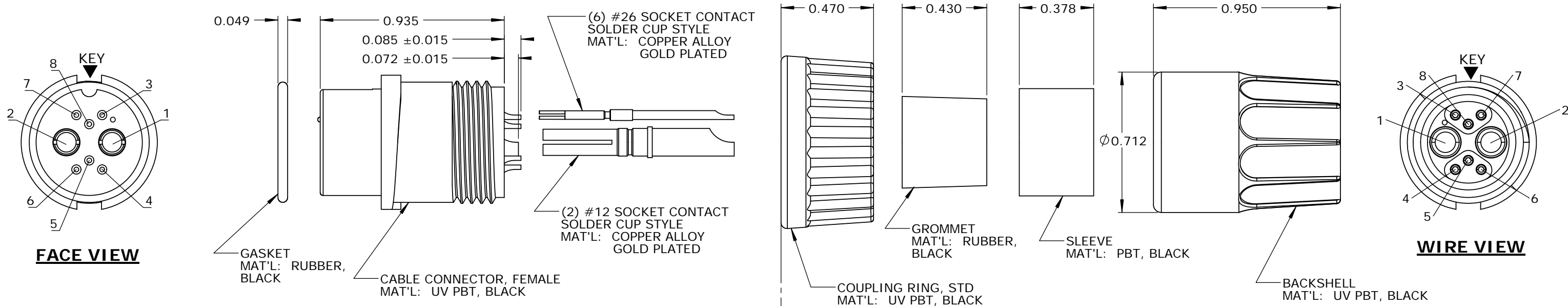
ASSY P/N	COUPLING RING P/N	CABLE O.D.
W3B82-8SG-335	4282V4	.350-.370 IN. [8.9-9.4mm]
W3B82-8SG-335W	4482V4	.350-.370 IN. [8.9-9.4mm]



**STD COUPLING RING**  
P/N: W3B82-8SG-3XX



**WINGED COUPLING RING**  
P/N: W3B82-8SG-3XXW



**CUSTOMER APPROVAL**  
 THIS DOCUMENT CONTAINS CONFIDENTIAL INFORMATION PROPRIETARY TO CONXALL CORPORATION. ANY REPRODUCTION, DISCLOSURE, OR USE OF THIS DOCUMENT /INFORMATION IS EXPRESSLY PROHIBITED UNLESS AUTHORIZED IN WRITING BY CONXALL CORPORATION.  
 APPROVED BY: \_\_\_\_\_  
 DATE: \_\_\_\_\_

**RoHS COMPLIANT**

A	AB	05-09-19	RELEASE PER DOR 14-6281TC
REV.	INIT.	DATE	DESCRIPTION
	AB	07-21-14	
ALL INFORMATION ILLUSTRATED IS THE PROPERTY OF "CONXALL CORPORATION". UNAUTHORIZED DUPLICATION OR DISTRIBUTION OF THIS DOCUMENT IS PROHIBITED.		ORIG. DRAWN BY: AB	DATE: 07-21-14
ALL UNITS ARE IN FEET, INCHES, FRACTION OF INCHES AND DECIMALS.		CHECKED BY:	
		APPROVED BY:	
SCALE: NTS	SIZE: B	SHEET: 1 OF 1	 601 E. WILDWOOD VILLA PARK, IL 60181 TITLE: CABLE END CONNECTOR KIT (2)#12 + (6)#26 SOCKET CONTACTS, SOLDER MULTI-CON-X, WEATHER RESISTANT STANDARD PRODUCT CUSTOMER:
FILE: SAME AS P/N	DIRECTORY: SLW	PART NUMBER: W3B82-8SG-3XX(W)	