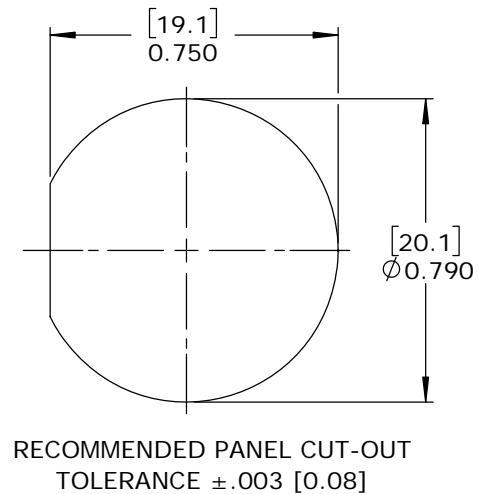
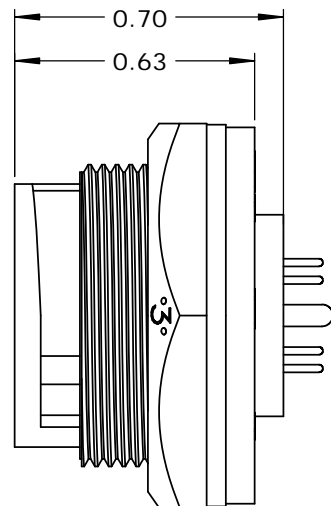
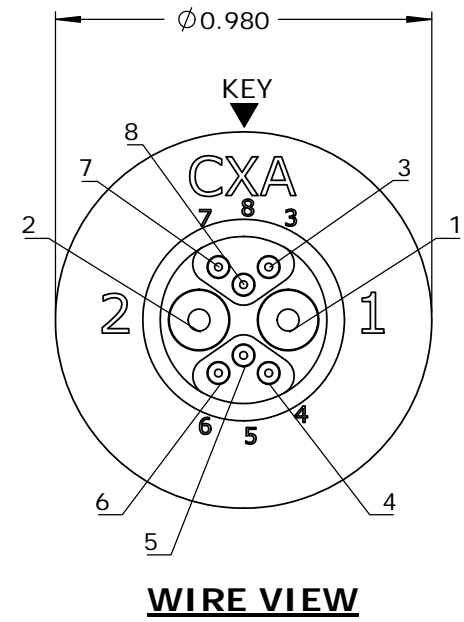
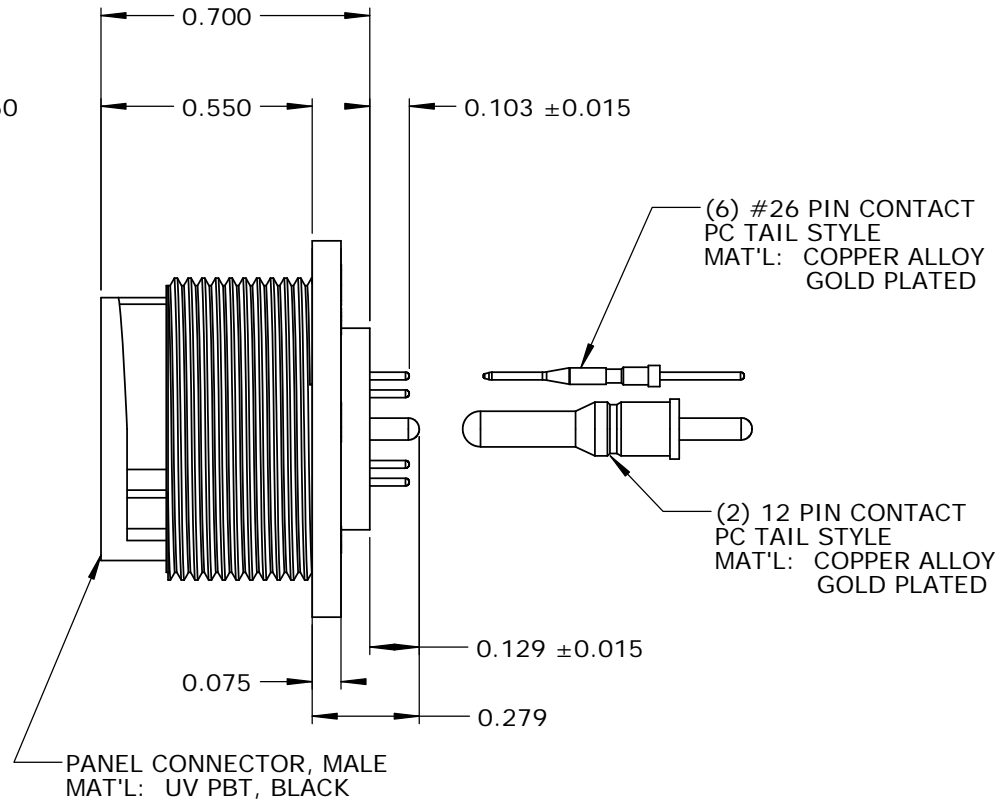
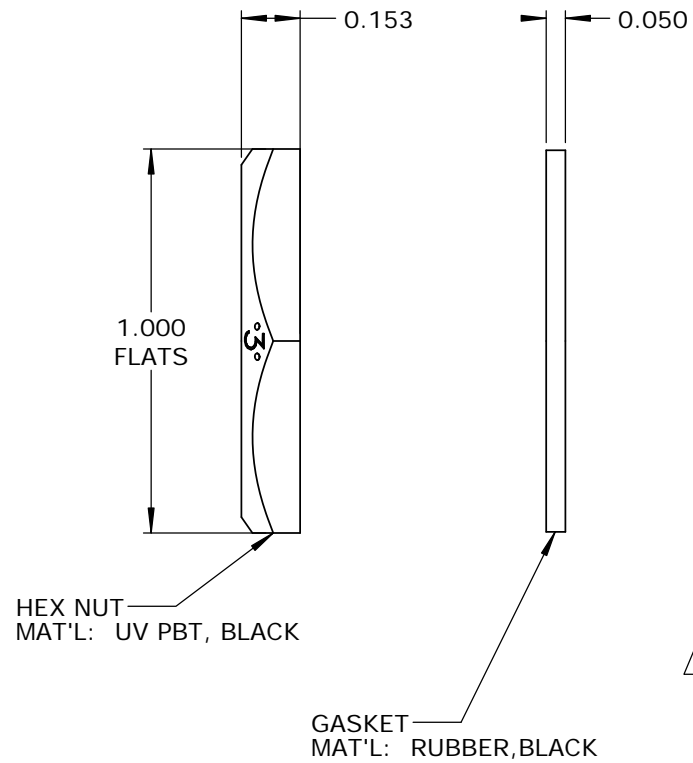
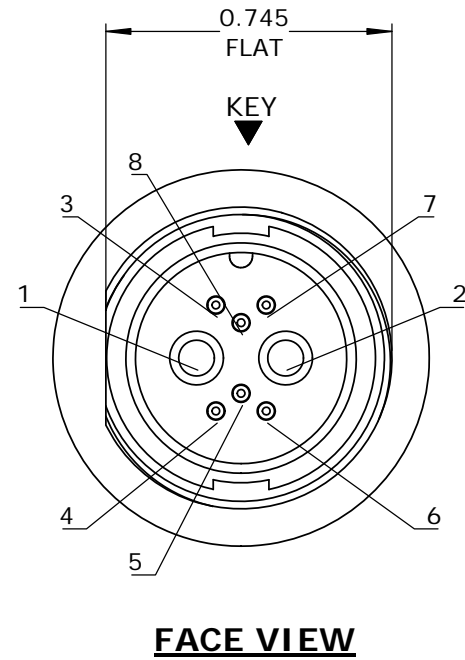
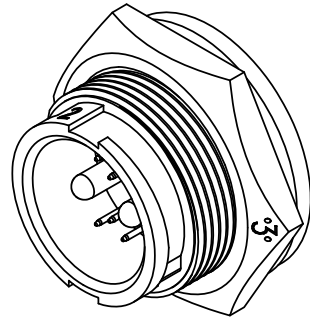


- NOTES:
 1. PARTS TO BE BULK PACKED.
 2. CONTACTS ARE INSTALLED IN CONNECTOR.
 3. REAR WELL FILLED WITH BLACK EPOXY.
 4. ALL DIMENSIONS ARE FOR REFERENCE ONLY EXCEPT WHERE NOTED WITH TOLERANCE.



CUSTOMER APPROVAL

THIS DOCUMENT CONTAINS CONFIDENTIAL INFORMATION PROPRIETARY TO CONXALL CORPORATION. ANY REPRODUCTION, DISCLOSURE, OR USE OF THIS DOCUMENT /INFORMATION IS EXPRESSLY PROHIBITED UNLESS AUTHORIZED IN WRITING BY CONXALL CORPORATION.

APPROVED BY: _____
 DATE: _____

RoHS COMPLIANT

A	AB	05-09-19	RELEASE PER DOR 14-6281TC
REV.	INIT.	DATE	DESCRIPTION
ALL INFORMATION ILLUSTRATED IS THE PROPERTY OF CONXALL CORPORATION. UNAUTHORIZED DUPLICATION OR DISTRIBUTION OF THIS DOCUMENT IS PROHIBITED.			ORIG. DRAWN BY: AB DATE: 07-17-14 CHECKED BY:
ALL UNITS ARE IN FEET, INCHES, FRACTION OF INCHES AND DECIMALS.			APPROVED BY: SCALE: NTS SIZE: B SHEET: 1 OF 1 FILE: SAME AS P/N DIRECTORY: SLW
TITLE: (2) #12 + (6) #26 PIN CONTACTS, PC TAIL MULTI-CON-X, WEATHER RESISTANT STANDARD PRODUCT			CUSTOMER: STANDARD PRODUCT PART NUMBER: W4B81-8PG-3ES REV: A

