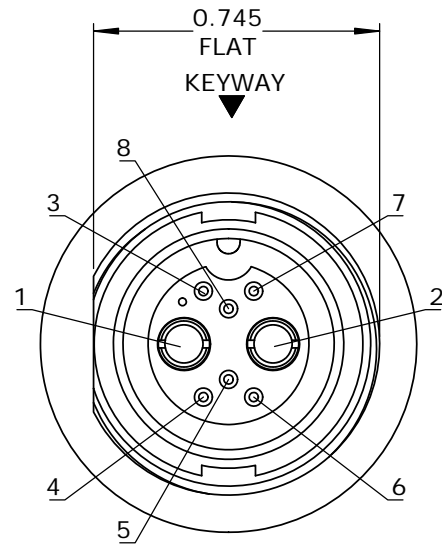
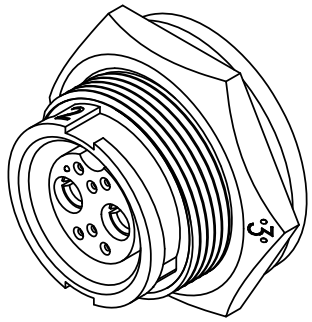
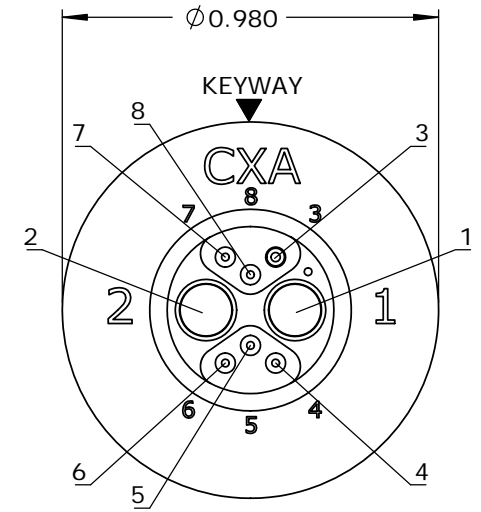
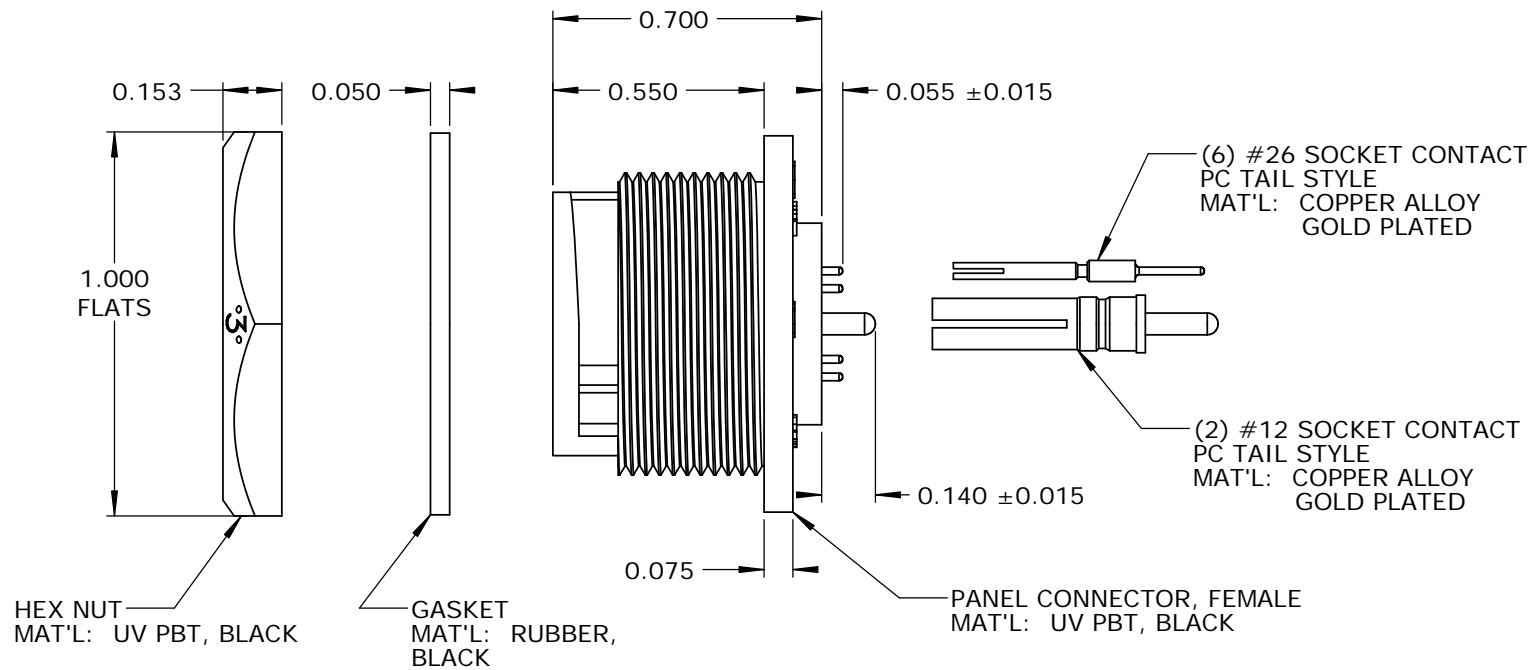


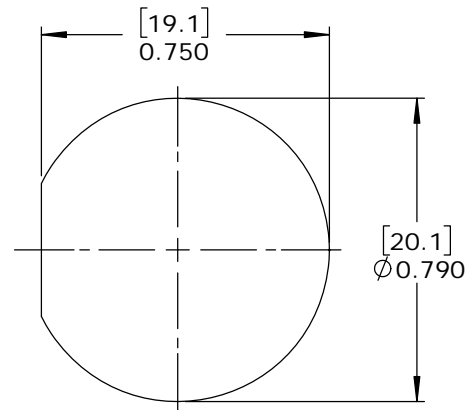
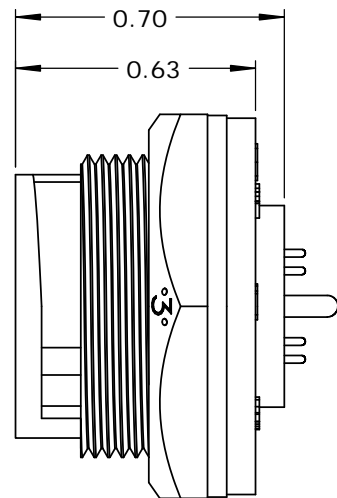
- NOTES:
 1. PARTS TO BE BULK PACKED.
 2. PC TAIL CONTACTS ARE PRESSED INTO CONNECTOR.
 3. REAR WELL FILLED WITH BLACK EPOXY.
 4. ALL DIMENSIONS ARE FOR REFERENCE ONLY EXCEPT WHERE NOTED WITH TOLERANCE.



FACE VIEW



WIRE VIEW



RECOMMENDED PANEL CUT-OUT
 TOLERANCE ±.003 [0.08]

CUSTOMER APPROVAL

THIS DOCUMENT CONTAINS CONFIDENTIAL INFORMATION PROPRIETARY TO CONXALL CORPORATION. ANY REPRODUCTION, DISCLOSURE, OR USE OF THIS DOCUMENT /INFORMATION IS EXPRESSLY PROHIBITED UNLESS AUTHORIZED IN WRITING BY CONXALL CORPORATION.

APPROVED BY: _____
 DATE: _____

RoHS COMPLIANT

| A | AB | 05-09-19 | RELEASE PER DOR 14-6281TC |
|---|----------------|---|---|
| REV. | INIT. | DATE | DESCRIPTION |
| | AB | 07-18-14 | |
| <small>ALL INFORMATION ILLUSTRATED IS THE PROPERTY OF CONXALL CORPORATION. UNAUTHORIZED DUPLICATION OR DISTRIBUTION OF THIS DOCUMENT IS PROHIBITED.</small> | | | <p>601 E. WILDWOOD VILLA PARK, IL 60181</p> |
| <small>ALL UNITS ARE IN FEET, INCHES, FRACTION OF INCHES AND DECIMALS.</small> | | | |
| ORIG. DRAWN BY: AB CHECKED BY: _____ APPROVED BY: _____ | | TITLE: PANEL CONNECTOR KIT (2)#12 + (6)#26 SOCKET CONTACTS, PC TAIL MULTI-CON-X, WEATHER RESISTANT STANDARD PRODUCT CUSTOMER: _____ | |
| SCALE: NTS | SIZE: B | SHEET: 1 OF 1 | |
| FILE: SAME AS P/N | DIRECTORY: SLW | PART NUMBER: W4B81-8SG-3ES | REV: A |