

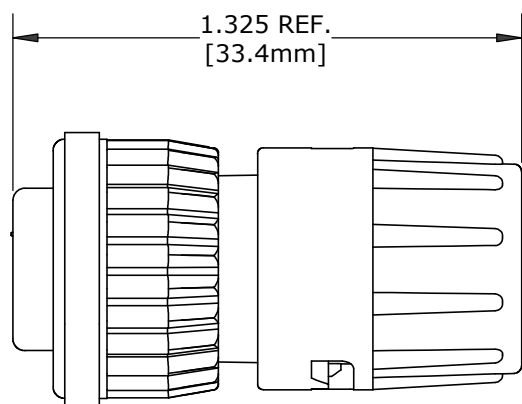
CUSTOMER PRINT

PART NUMBER: W6280-XSG-3XXW

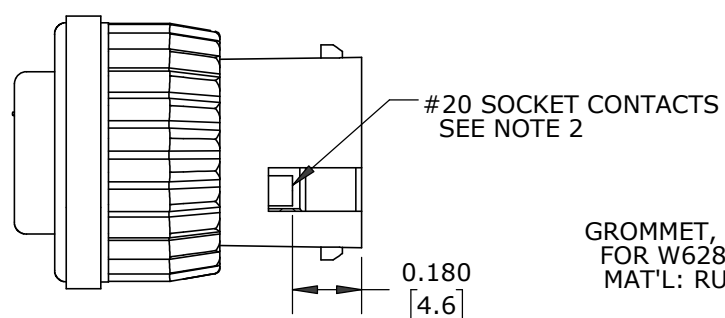
- NOTES:**
1. ALL PARTS TO BE BULK PACKED.
 2. CONTACTS SUPPLIED UNASSEMBLED.
 3. ALL DIMENSIONS ARE REFERENCE EXCEPT THOSE WITH A TOLERANCE.

ASSY P/N	GROMMET SIZE
W6280-XSG-3DCW	DAISY CHAIN
W6280-XSG-311W	CABLE O.D. .09-.14
W6280-XSG-315W	CABLE O.D. .15-.17
W6280-XSG-318W	CABLE O.D. .18-.20
W6280-XSG-321W	CABLE O.D. .21-.23

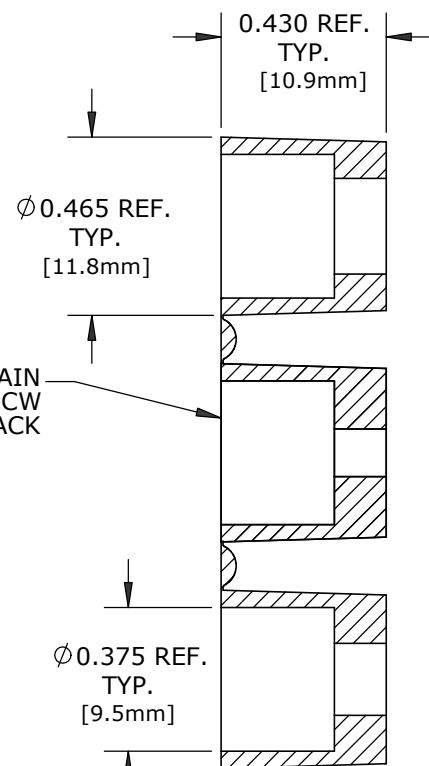
ASSY P/N	NO. OF CONTACTS
W6280-2SG-3XXW	2 #20
W6280-3SG-3XXW	3 #20
W6280-4SG-3XXW	4 #20
W6280-5SG-3XXW	5 #20
W6280-6SG-3XXW	6 #20
W6280-7SG-3XXW	7 #20
W6280-8SG-3XXW	8 #20
W6280-XSG-3XXW	



SHOWN ASSEMBLED KIT
FOR CUSTOMER REFERENCE ONLY



FOR CUSTOMER REFERENCE ONLY



GROMMET SIZE FOR SINGLE GROMMET, OR "DC" FOR DAISY CHAIN

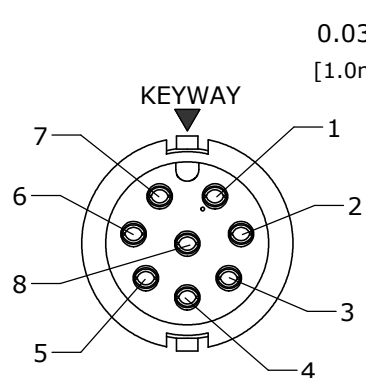
NUMBER OF CONTACTS

CUSTOMER APPROVAL

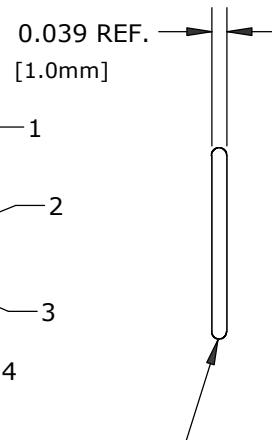
THIS DOCUMENT CONTAINS CONFIDENTIAL INFORMATION PROPRIETARY TO CONXALL CORPORATION. ANY REPRODUCTION, DISCLOSURE, OR USE OF THIS DOCUMENT / INFORMATION IS EXPRESSLY PROHIBITED UNLESS AUTHORIZED IN WRITING BY CONXALL CORPORATION.

APPROVED BY: _____

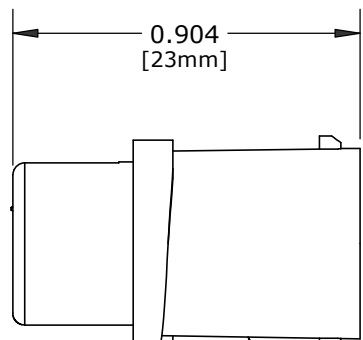
DATE: _____



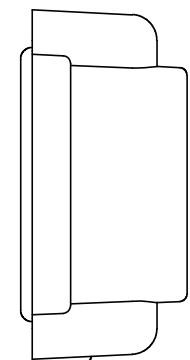
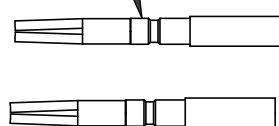
FACE VIEW
W6280-8SG-3XXW



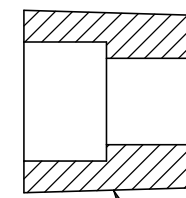
O-RING
MAT'L: RUBBER, BLACK



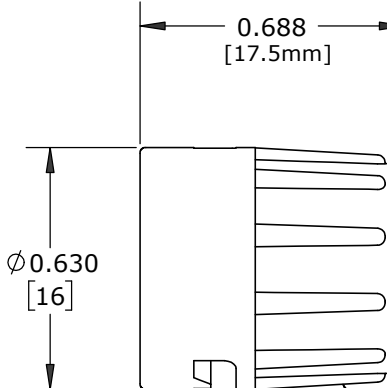
CABLE CONNECTOR, FEMALE
MAT'L: UV PBT, BLACK



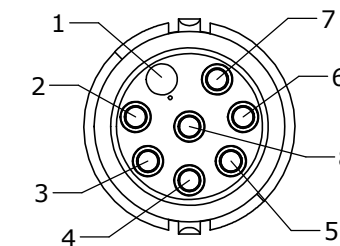
WINGED COUPLING RING
MAT'L: UV PBT, BLACK



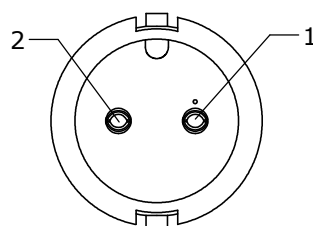
SINGLE GROMMET
MAT'L: SANTOPRENE, BLACK
6280-XS311W (.125 I.D. FOR CABLES .09-.14 O.D.)
6280-XS315W (.156 I.D. FOR CABLES .15-.17 O.D.)
6280-XS318W (.188 I.D. FOR CABLES .18-.20 O.D.)
6280-XS321W (.225 I.D. FOR CABLES .21-.23 O.D.)



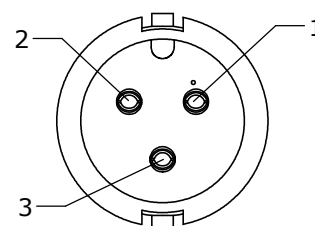
BACKSHELL
MAT'L: UV PBT, BLACK



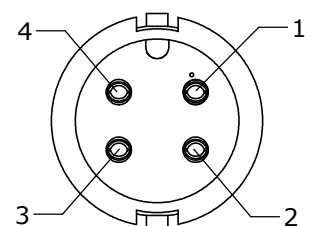
WIRE VIEW
W6280-8SG-3XXW SHOWN



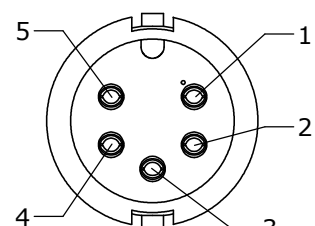
FACE VIEW
W6280-2SG-3XXW



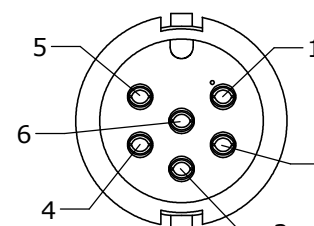
FACE VIEW
W6280-3SG-3XXW



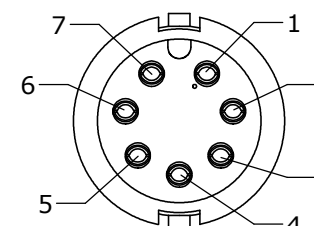
FACE VIEW
W6280-4SG-3XXW



FACE VIEW
W6280-5SG-3XXW



FACE VIEW
W6280-6SG-3XXW



FACE VIEW
W6280-7SG-3XXW

DIMENSIONS IN BRACKETS [] ARE IN MILLIMETERS

RoHS COMPLIANT

B	MA	01-04-22	MAT'L COLOR WAS CHARCOAL BLACK PER ECR 9584-2
A	SS	08-14-20	DRAWING CREATED PER DOR 16-E256SL #28
REV.	INIT.	DATE	DESCRIPTION
	SS	08-14-20	ORIG. DRAWN BY: DATE: 08-14-20
ALL INFORMATION ILLUSTRATED IS THE PROPERTY OF "CONXALL CORPORATION". UNAUTHORIZED DUPLICATION OR DISTRIBUTION OF THIS DOCUMENT IS PROHIBITED.			<p>601 E. WILDWOOD VILLA PARK, IL 60181</p>
ALL UNITS ARE IN FEET, INCHES, FRACTIONS OF INCHES AND DECIMALS.			
APPROVED BY:		TITLE: CABLE CONNECTOR ASS'Y, UV (2-8) #20 SOCKET CONTACTS MINI-CON-X	
SCALE	SIZE	SHEET	CUSTOMER: STANDARD PRODUCT
NTS	B	1 OF 1	
FILE: W6280-XSG-3XXW	DIRECTORY: SLW	PART NUMBER: W6280-XSG-3XXW	REV B