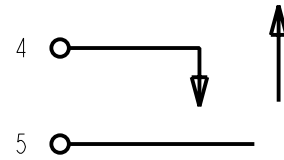


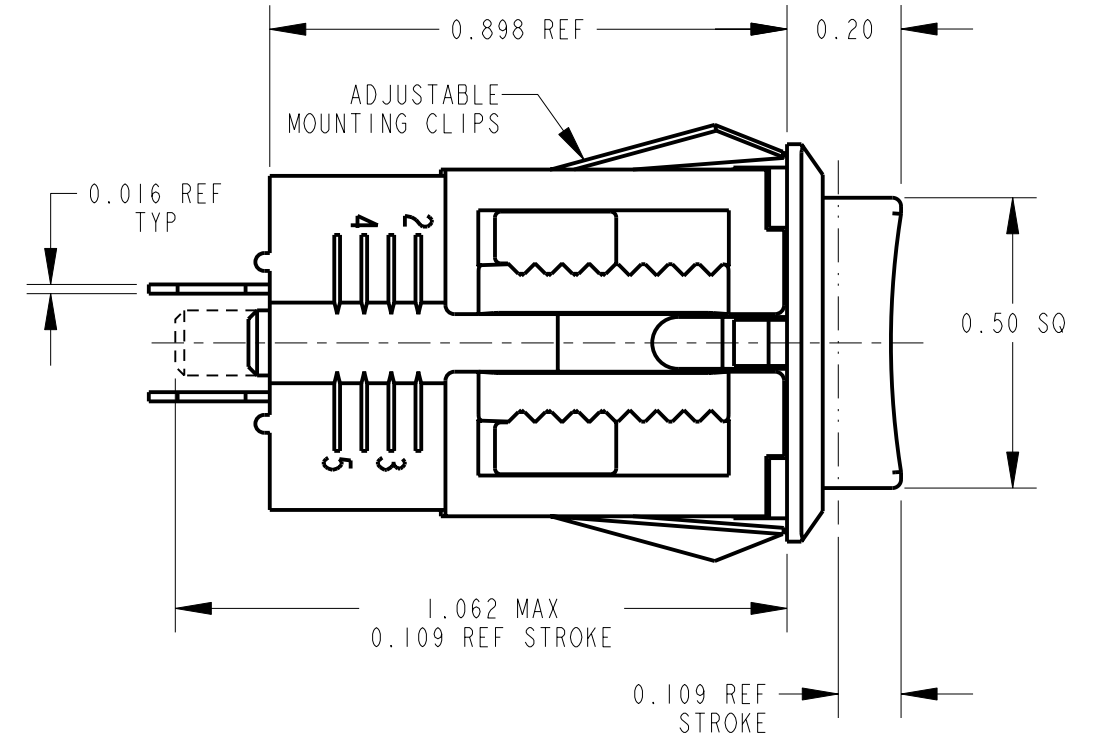
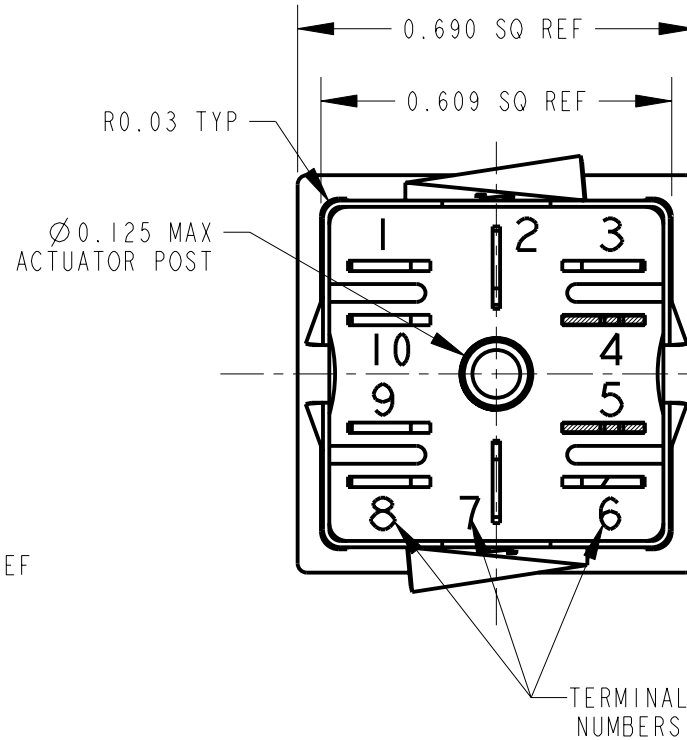
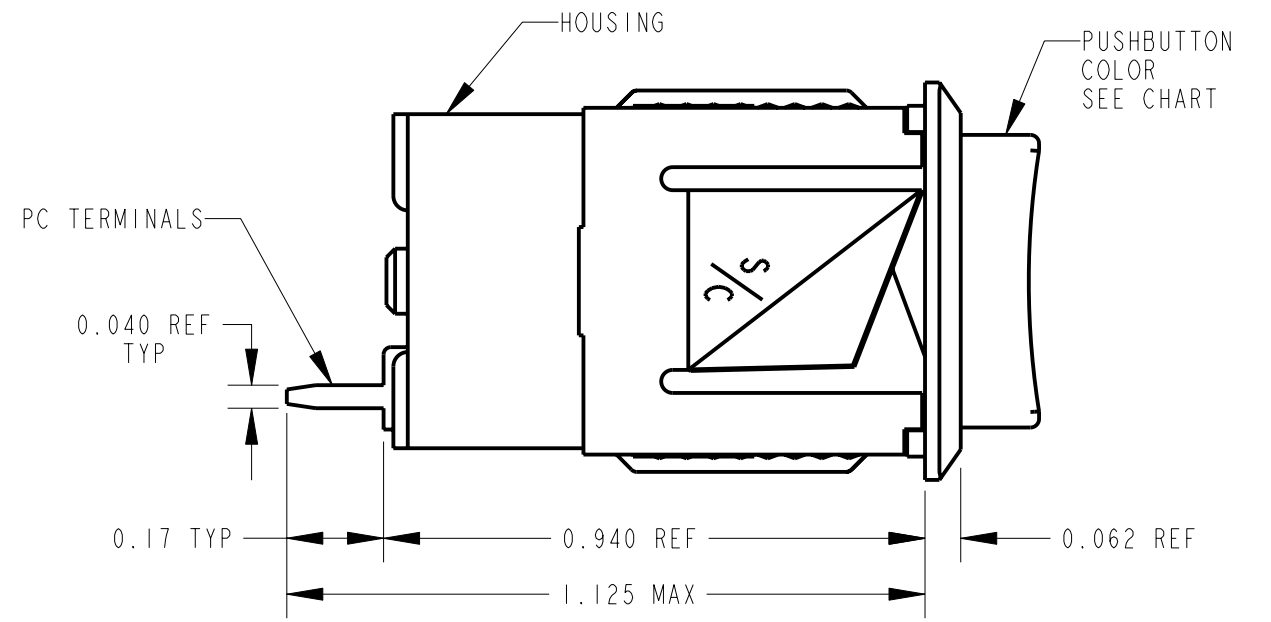
NOTES:

- PC TERMINAL ARRANGEMENT: 4,5.
- CONTACT RATING 0.25 AMP, 30 WATTS MAX, AC, NON - INDUCTIVE LOAD.
- DIELECTRIC STRENGTH - 500 VOLTS, RMS. MIN.
- SWITCH MOUNTS IN PANELS 0.047 TO 0.281 THICK.
 POSITION 1: 0.047 - 0.094
 POSITION 2: 0.094 - 0.141
 POSITION 3: 0.141 - 0.188
 POSITION 4: 0.188 - 0.234
 POSITION 5: 0.234 - 0.281
- MATERIALS:
 HOUSING: THERMOPLASTIC, CHARCOAL GRAY
 PUSHBUTTON: THERMOPLASTIC, COLOR (SEE CHART)
 MOUNTING CLIP: COPPER ALLOY
 CONTACT SPRINGS, INTEGRAL: COPPER ALLOY, SILVER PLATED
 TERMINALS: COPPER ALLOY, SILVER PLATED
 ACTUATOR: THERMOPLASTIC, BEIGE
 SPRING: MUSIC WIRE, TINNED
 RETAINER PLATE: PAPER EPOXY LAMINATE
- THESE PRODUCTS ARE RoHS COMPLIANT.

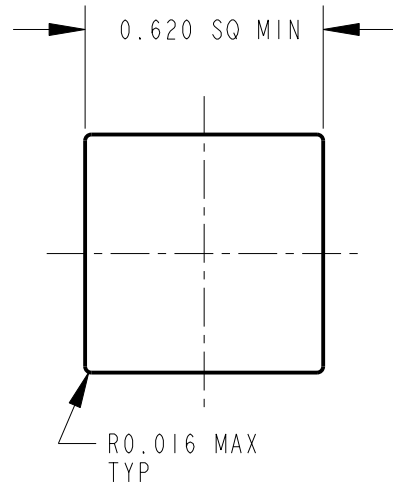
PART NUMBER	PUSHBUTTON COLOR
BXR01IPC	RED
BXR02IPC	BLACK
BXR03IPC	GREEN
BXR05IPC	WHITE



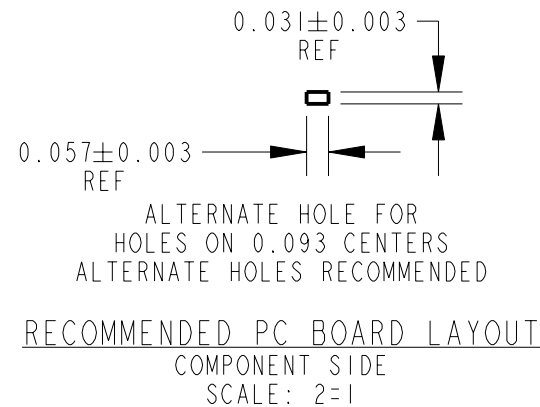
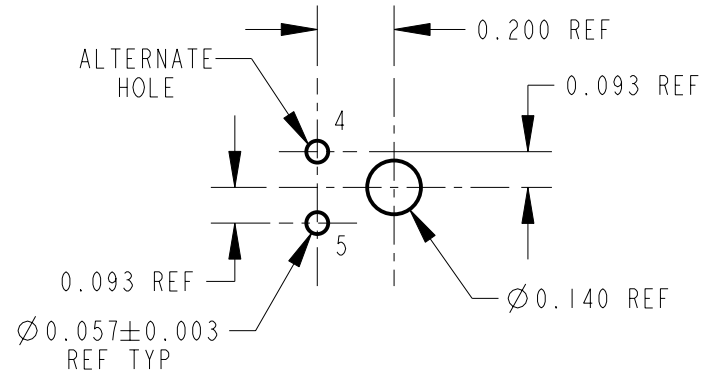
SCHEMATIC
I-A



CUSTOMER DRAWING



PANEL CUTOUT
SCALE 2:1



RECOMMENDED PC BOARD LAYOUT
COMPONENT SIDE
SCALE: 2=1

REV	ECO NUMBER	DATE	BY	APVD
B	27357	9-12-14	TO	TJK
A	22616	4-2-01	DA	RB

REVISIONS

- ★ STAR SYMBOL DENOTES CRITICAL DIMENSION
- UNLESS OTHERWISE SPECIFIED
- 1. ALL DIMENSIONS IN INCHES
 - TWO PLACE DECIMALS ±0.01
 - THREE PLACE DECIMALS ±0.005
 - ANGLES ±1°
 - ALL DIA. CONCENTRIC WITHIN 0.005 T.I.R.
- 2. FEATURES ON THE SAME CENTERLINE MUST BE ALIGNED WITHIN ±0.002
- 3. REMOVE ALL BURRS

DO NOT SCALE DRAWING

THIS DRAWING DESCRIBES A DESIGN CONSIDERED PROPRIETARY IN NATURE, DEVELOPED AND MANUFACTURED BY SWITCHCRAFT INC. AND IS RELEASED ON A CONFIDENTIAL BASIS FOR IDENTIFICATION PURPOSES ONLY.									
SIZE	WIDTH	MULT	LBS/M	TEMPER					
FINISH					MATERIAL				
SPEC No.					SPEC No.				
FIRST USED ON					SCALE 3:1				
DATE DRAWN	BY	CHKD	APVD	Switchcraft®					
30-Mar-01	DA	RB	RB	SHEET 1 OF 1					
NAME				PART No.			REV		
BXR SWITCH, MOMENTARY PC TERMINALS, RoHS				BXR0_IPC SERIES			B		