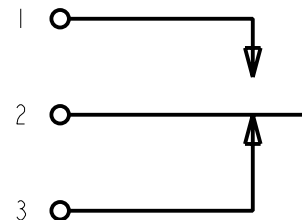


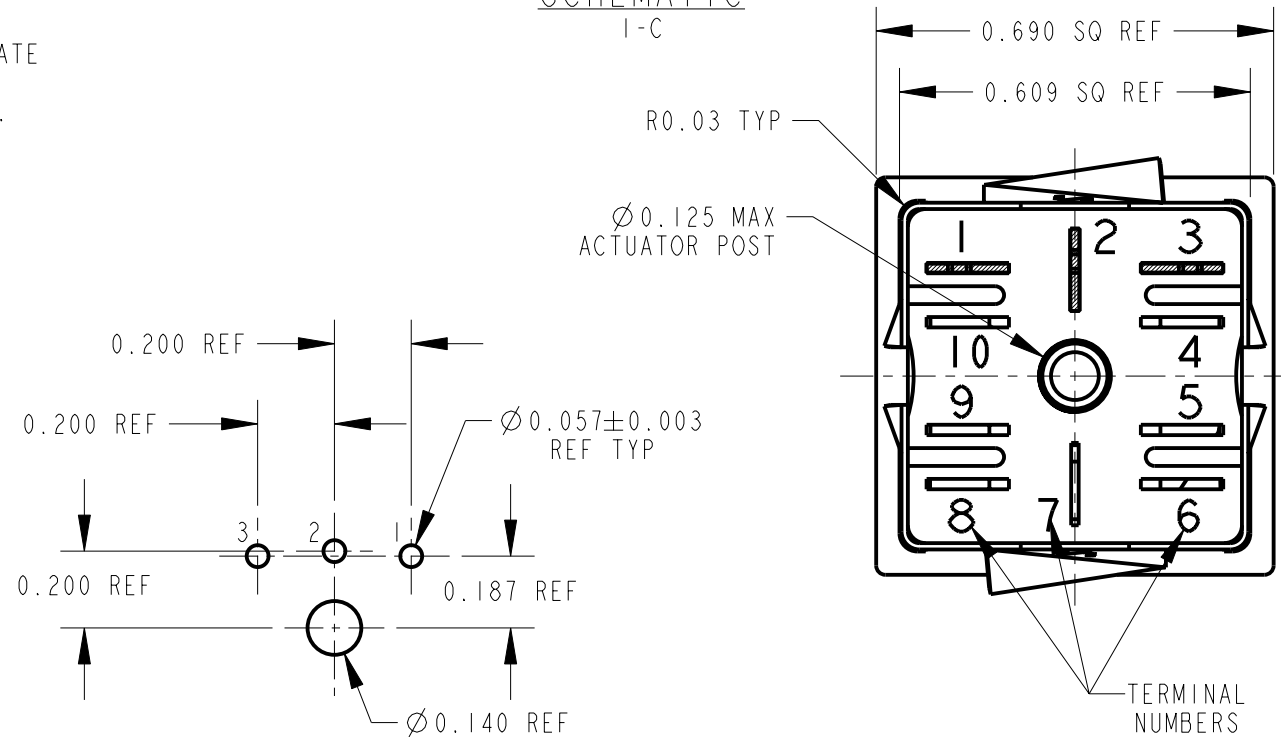
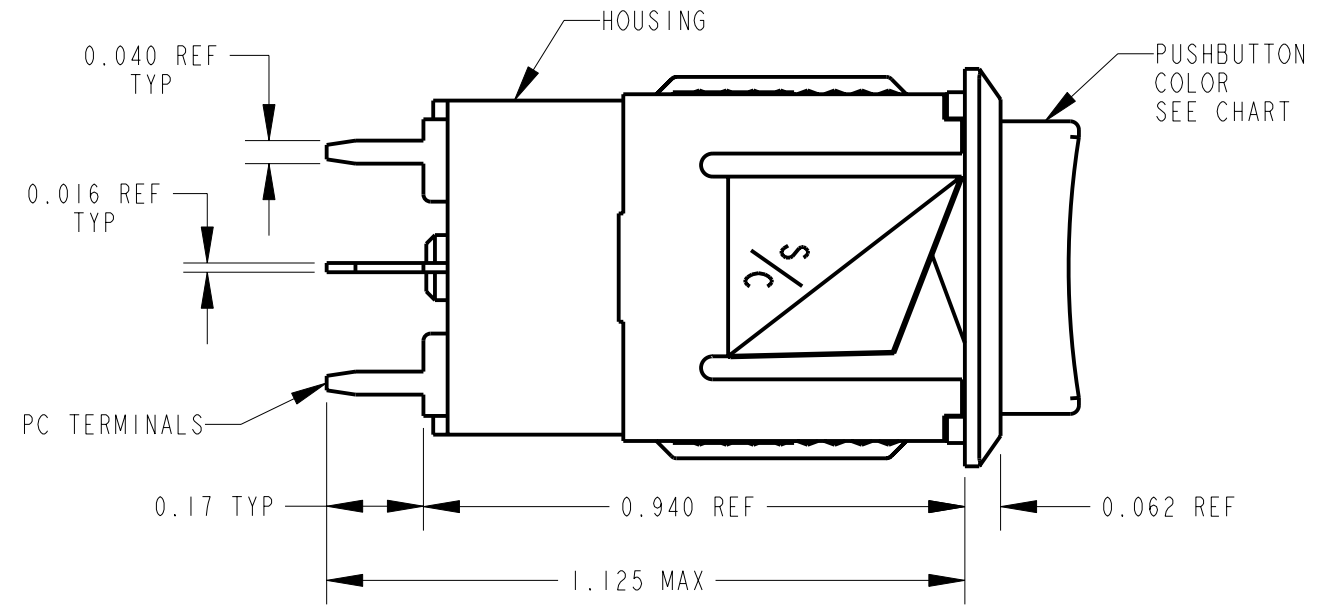
NOTES:

- PC TERMINAL ARRANGEMENT: 1,2,3.
- CONTACT RATING 0.25 AMP, 30 WATTS MAX, AC, NON-INDUCTIVE LOAD.
- DIELECTRIC STRENGTH - 500 VOLTS, RMS. MIN.
- SWITCH MOUNTS IN PANELS 0.047 TO 0.281 THICK.  
 POSITION 1: 0.047 - 0.094  
 POSITION 2: 0.094 - 0.141  
 POSITION 3: 0.141 - 0.188  
 POSITION 4: 0.188 - 0.234  
 POSITION 5: 0.234 - 0.281
- MATERIALS:  
 HOUSING: THERMOPLASTIC, CHARCOAL GRAY  
 PUSHBUTTON: THERMOPLASTIC, COLOR (SEE CHART)  
 MOUNTING CLIP: COPPER ALLOY  
 CONTACT SPRINGS, INTEGRAL: COPPER ALLOY, SILVER PLATED  
 TERMINALS: COPPER ALLOY, SILVER PLATED  
 ACTUATOR: THERMOPLASTIC, BEIGE  
 SPRING: MUSIC WIRE, TINNED  
 RETAINER PLATE: PAPER EPOXY LAMINATE
- THESE PRODUCTS ARE RoHS COMPLIANT.

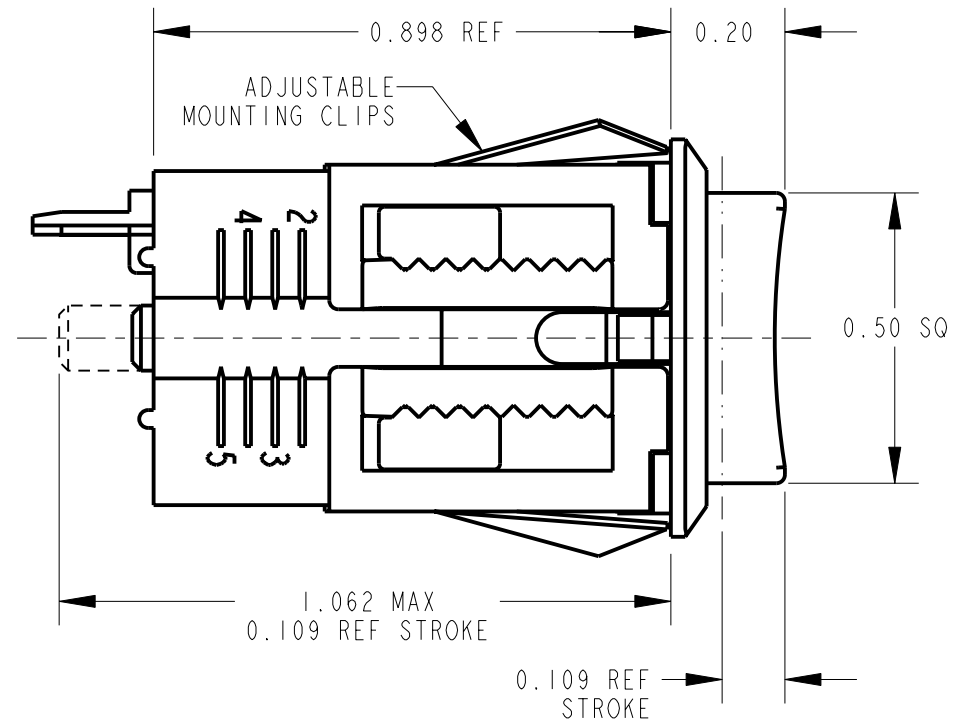
| PART NUMBER | PUSHBUTTON COLOR |
|-------------|------------------|
| BXR013PC    | RED              |
| BXR023PC    | BLACK            |
| BXR033PC    | GREEN            |
| BXR053PC    | WHITE            |



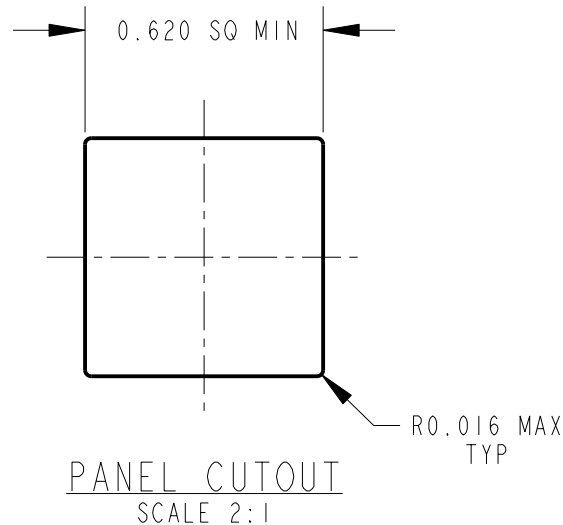
**SCHEMATIC**  
I-C



**PC BOARD LAYOUT**  
COMPONENT SIDE  
SCALE 2:1



CUSTOMER DRAWING



| REV | ECO NUMBER    | DATE    | BY | APVD |
|-----|---------------|---------|----|------|
| B   | 27357         | 9-12-14 | TO | TJK  |
| A   | 22495 & 22513 | 3-29-01 | DA | RB   |

REVISIONS

★ STAR SYMBOL DENOTES CRITICAL DIMENSION

UNLESS OTHERWISE SPECIFIED

1. ALL DIMENSIONS IN INCHES  
 - TWO PLACE DECIMALS ±0.01  
 - THREE PLACE DECIMALS ±0.005  
 - ANGLES ±1°  
 - ALL DIA. CONCENTRIC WITHIN 0.005 T.I.R.

2. FEATURES ON THE SAME CENTERLINE MUST BE ALIGNED WITHIN ±0.002

3. REMOVE ALL BURRS

DO NOT SCALE DRAWING

|  |       |      |        |        |                 |  |  |  |  |
|--|-------|------|--------|--------|-----------------|--|--|--|--|
| THIS DRAWING DESCRIBES A DESIGN CONSIDERED PROPRIETARY IN NATURE, DEVELOPED AND MANUFACTURED BY SWITCHCRAFT INC. AND IS RELEASED ON A CONFIDENTIAL BASIS FOR IDENTIFICATION PURPOSES ONLY. |       |      |        |        |                 |  |  |  |  |
| SIZE   | WIDTH | MULT | LBS/M  | TEMPER |                 |  |  |  |  |
| FINISH   |       |      |        |        | MATERIAL        |  |  |  |  |
| SPEC No.   |       |      |        |        | SPEC No.        |  |  |  |  |
| FIRST USED ON  |       |      |        |        | SCALE           |  |  |  |  |
|  |       |      |        |        | 3:1             |  |  |  |  |
| DATE DRAWN   | BY    | CHKD | APVD   |        |                 |  |  |  |  |
| 3-29-01  | DA    | RB   | RB     |        |                 |  |  |  |  |
|  |       |      | 4-6-01 |        |                 |  |  |  |  |
| NAME   |       |      |        |        | PART No.        |  |  |  |  |
| BOX SWITCH, MOMENTARY  |       |      |        |        | BXR0_3PC SERIES |  |  |  |  |
| PC TERMINALS, RoHS   |       |      |        |        | REV             |  |  |  |  |
|  |       |      |        |        | B               |  |  |  |  |