

NOTE: #7 AND #8 PIN NOT AVAILABLE IN FEMALE PANEL CONNECTORS

SPECIFICATIONS

MECHANICAL:
 SHOCK: MIL-STD 202 METHOD 213B, COND. K.
 VIBRATION: MIL-STD 202 METHOD 201
 LIFE: 300 INSERTION/WITHDRAWAL CYCLES (MINIMUM)

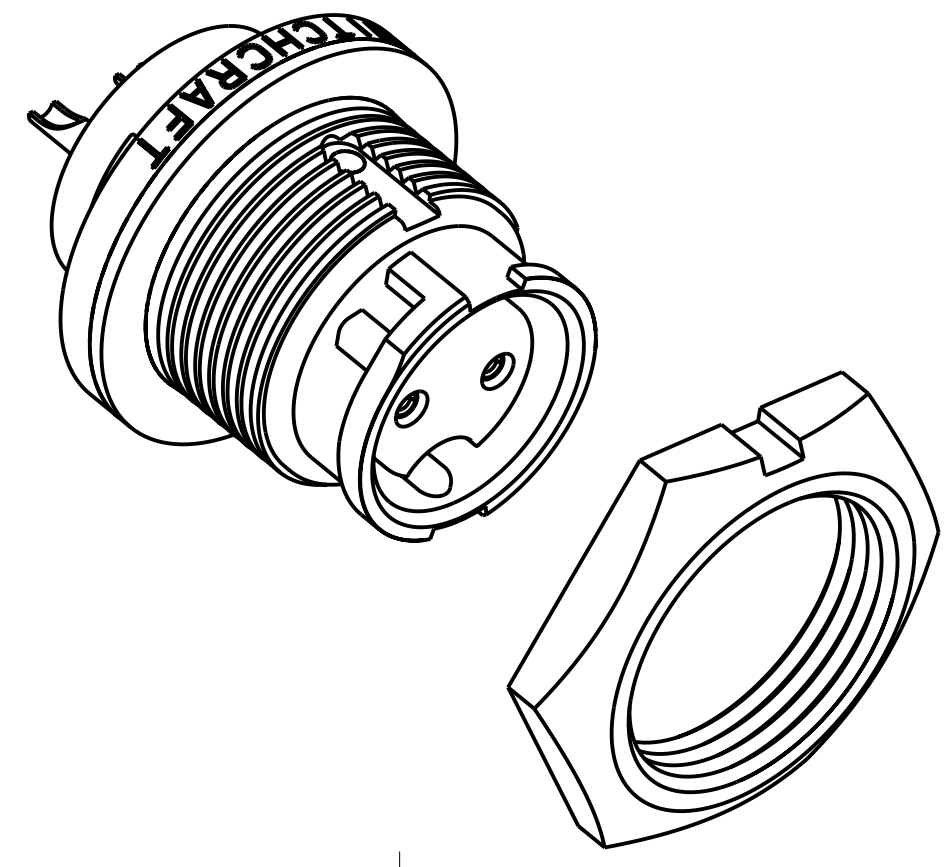
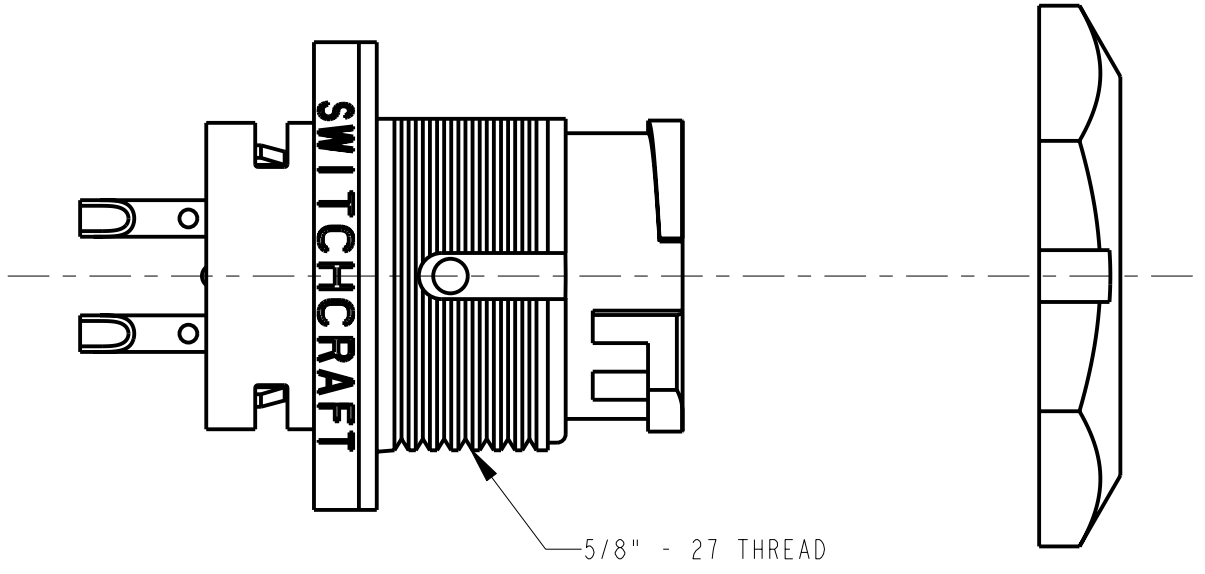
ELECTRICAL
 DIELECTRIC WITHSTANDING VOLTAGE: 1,000 VAC
 INSULATION RESISTANCE: 100 MEGOHMS (MIN) AT 77°F
 CONTACT RESISTANCE: 5.0 MILLOHMS MAX.
 CURRENT RATING: 7.5 AMPS (#20 CONTACT)
 13.0 AMPS (#16 CONTACT)

ENVIRONMENTAL
 TEMPERATURE LIMITS: -40°C TO +65°C (NON-OPERATING)
 MOISTURE RESISTANCE: MIL-STD 202 METHOD 106F
 INSULATION RESISTANCE: MIL-STD 202 METHOD 302, COND. B
 THERMAL SHOCK: MIL-STD 202 METHOD 107G
 SALT SPRAY: MIL-STD 202 METHOD 101D, COND. B
 WATER TIGHTNESS TEST: U.S. COAST GUARD CFR 46 PART 110.20

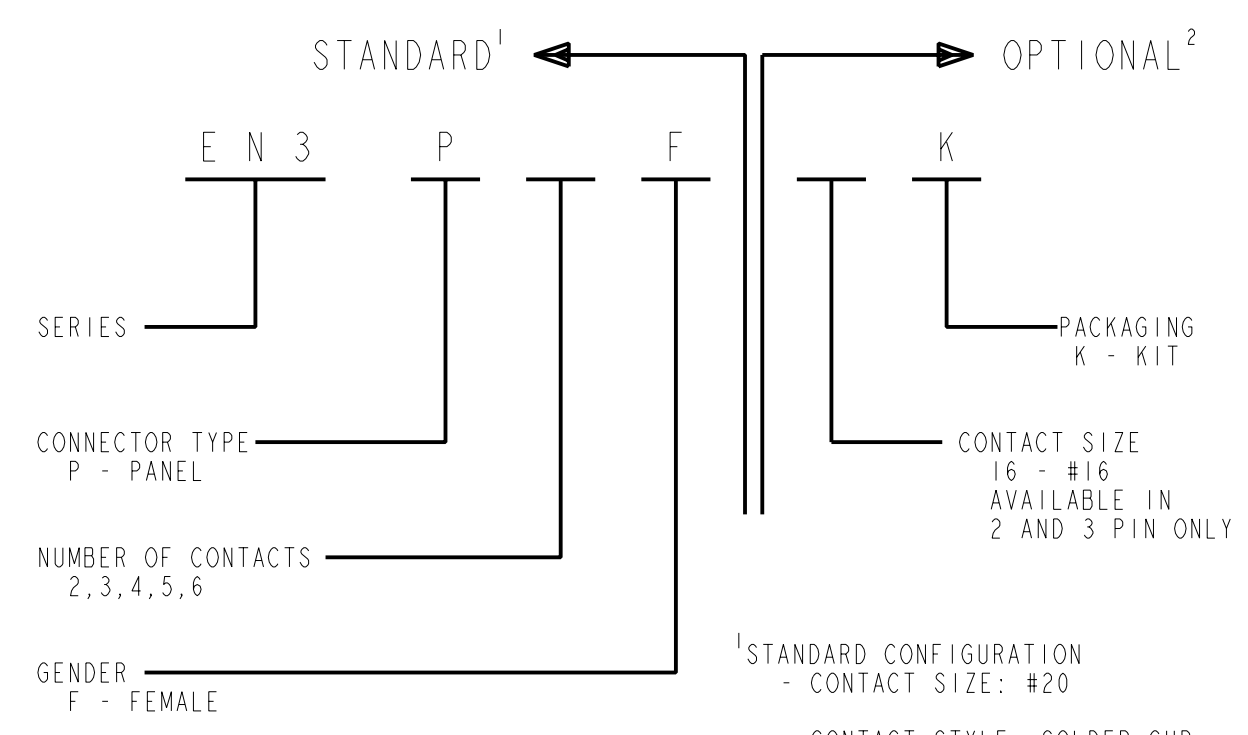
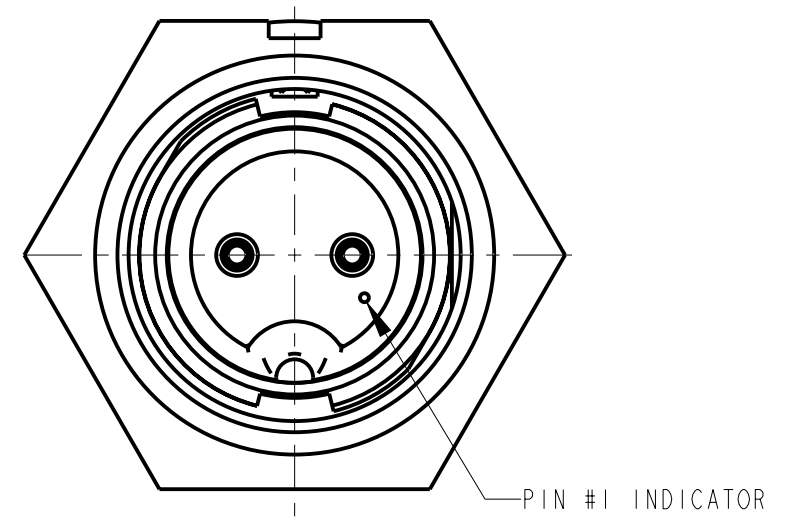
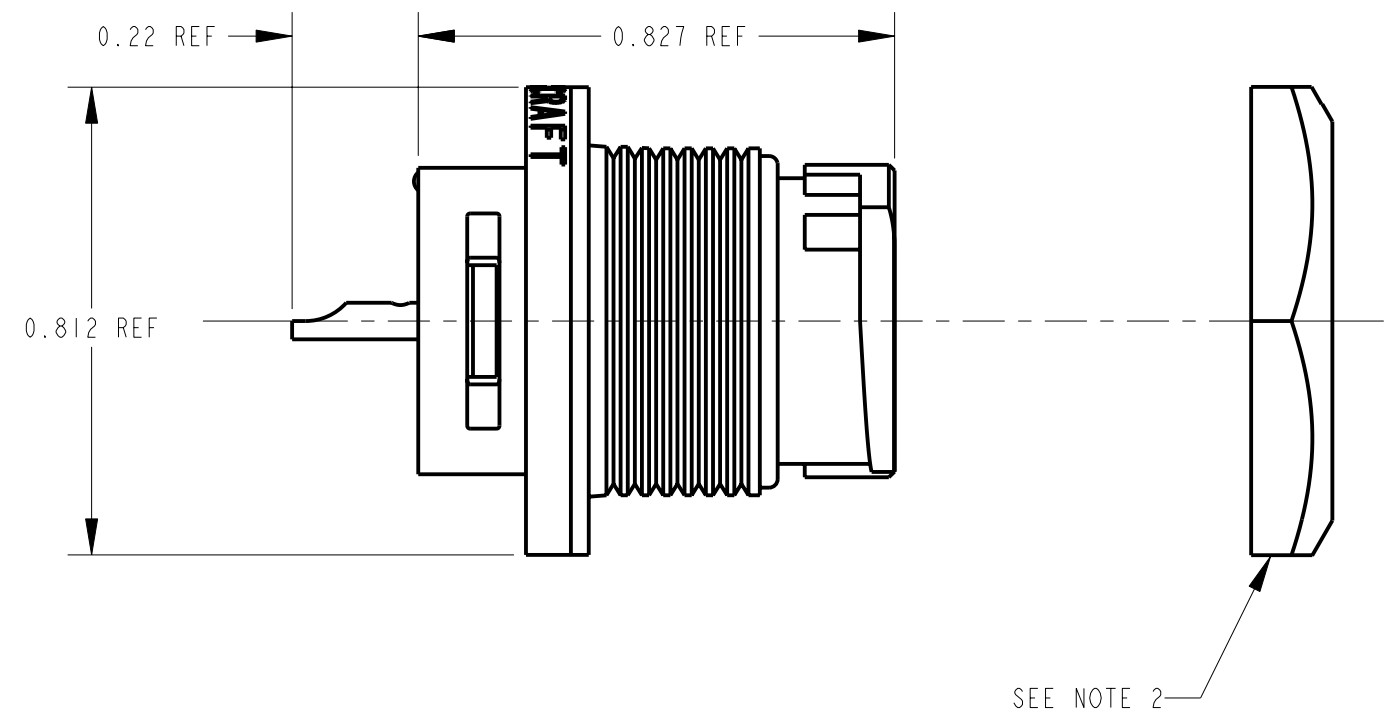
- NOTES:**
- HEX NUT TORQUE: 8 TO 10 INCH-LBS. OF TORQUE (MUST NOT EXCEED 10 INCH-LBS.)
 - HEX NUT SHIPPED UNASSEMBLED.

CONTACT ARRANGEMENT

SHOWN ARE REAR VIEWS OF FEMALE PANEL CONNECTORS



MATERIALS:
 PANEL CONNECTOR SHELL, CONTACT LOCKING DISC: THERMOPLASTIC POLYMER GLASS FIBER, FLAME RETARDANT
 CONNECTOR SHELL INTERIOR: THERMOPLASTIC RUBBER
 CONTACTS: COPPER BASE ALLOY GOLD-PLATED OVER NICKEL UNDERPLATE
 HEX NUT: THERMOPLASTIC



¹STANDARD CONFIGURATION
 - CONTACT SIZE: #20
 - CONTACT STYLE: SOLDER CUP
 - CONTACT PLATING: GOLD
 - CONTACTS FACTORY INSTALLED
 - PACKAGED IN KIT

²OPTIONAL CONFIGURATION
 - LEAVE BLANK FOR STANDARD CONFIGURATION

CUSTOMER DRAWING

H	23595	2-5-01	JL	DK	★ STAR SYMBOL DENOTES CRITICAL DIMENSION	THIS DRAWING DESCRIBES A DESIGN CONSIDERED PROPRIETARY IN NATURE, DEVELOPED AND MANUFACTURED BY SWITCHCRAFT INC. AND IS RELEASED ON A CONFIDENTIAL BASIS FOR IDENTIFICATION PURPOSES ONLY.				
G	22232	5-4-98	SG	RB	UNLESS OTHERWISE SPECIFIED					
F	ECO #21577	12-30-96	MM	FL	1. ALL DIMENSIONS IN INCHES - TWO PLACE DECIMALS ±0.01 - THREE PLACE DECIMALS ±0.005 - ANGLES ±1° - ALL DIA. CONCENTRIC WITHIN 0.005 T.I.R.	SIZE	WIDTH	MULT	LBS/M	TEMPER
E	ECO #21461	12-2-96	MM	FL	2. FEATURES ON THE SAME CENTERLINE MUST BE ALIGNED WITHIN ±0.002	FINISH SPEC No.	MATERIAL SPEC No.		Switchcraft®	
D	ECO #19827	10-17-95	RC	KS	3. REMOVE ALL BURRS	FIRST USED ON	SCALE 3:1	DATE DRAWN BY CHKD APVD		
J	24661	3-8-04	JL	EB	DO NOT SCALE DRAWING	04-May-98 SG 2-27-95 FL 2-27-95	SHEET 1 OF 1		REV J	
REV	ECO NUMBER	DATE	BY	APVD	REVISIONS	NAME FEMALE PANEL CONNECTORS EN3P_F_K SERIES	PART No. EN3P_F_K			