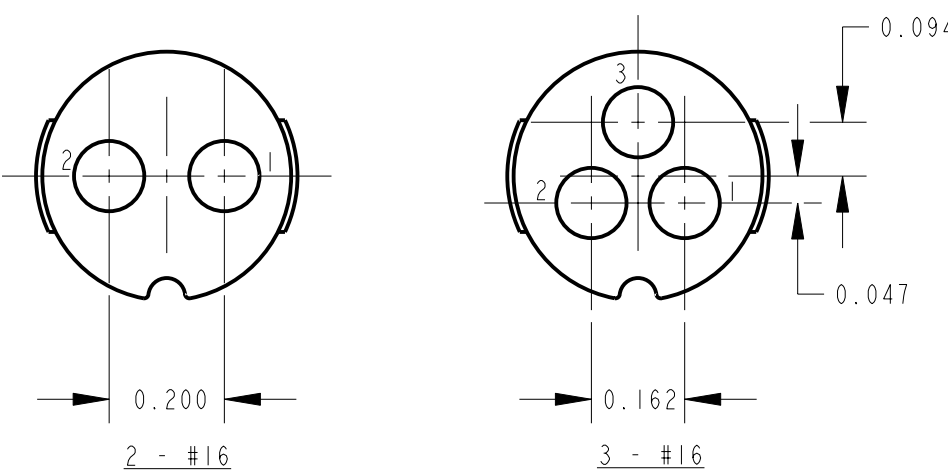
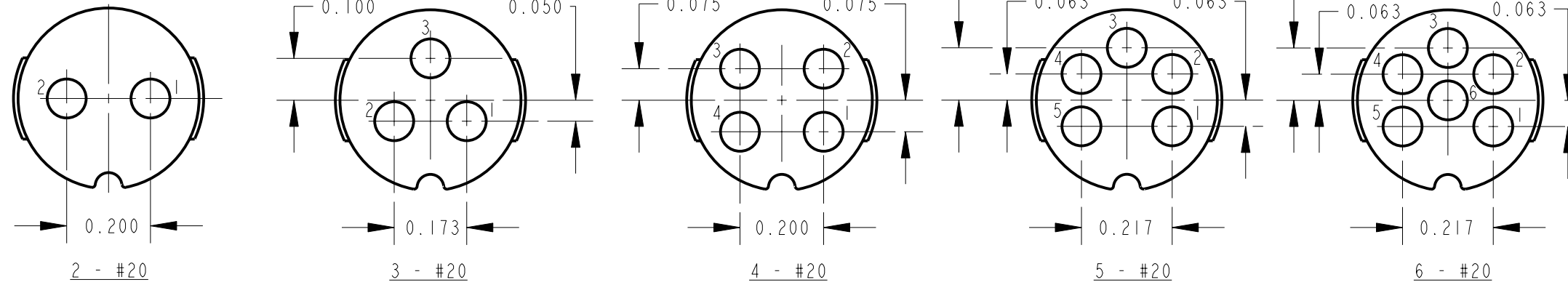
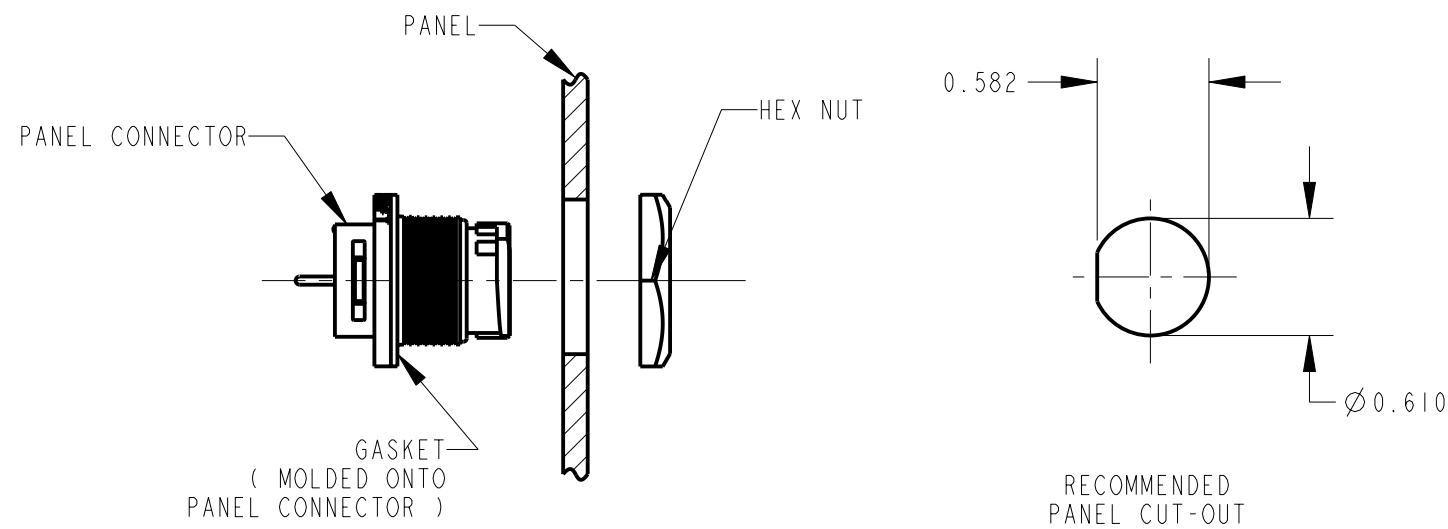
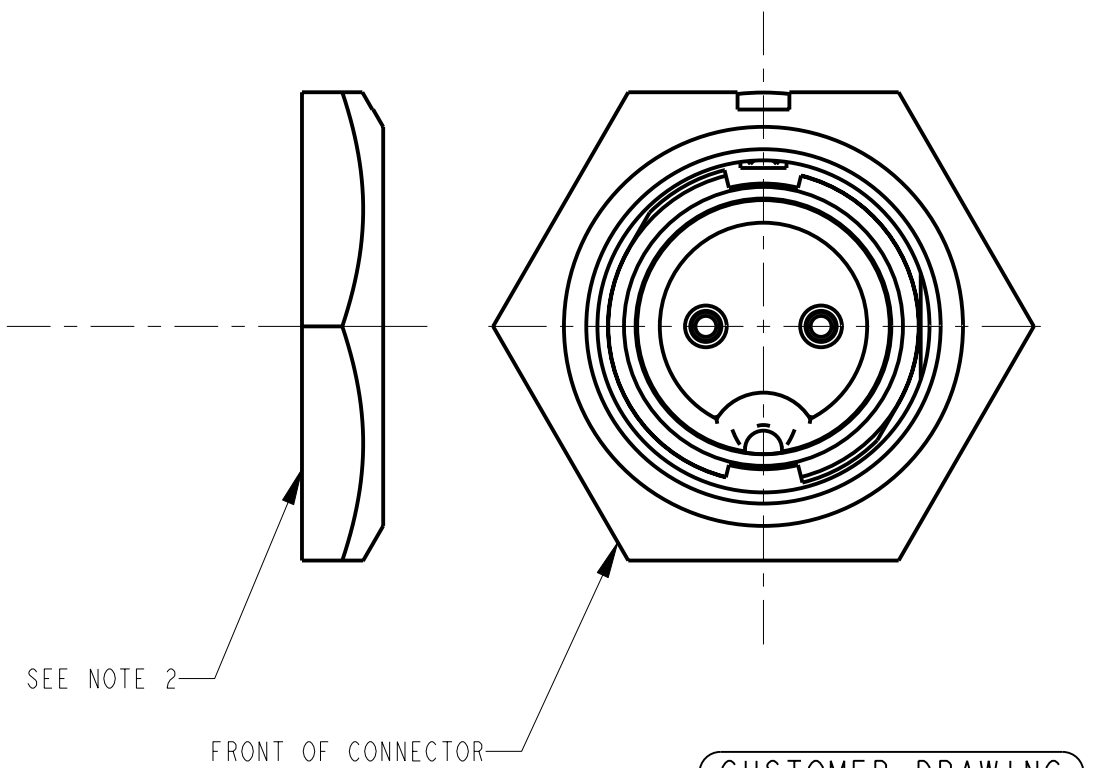
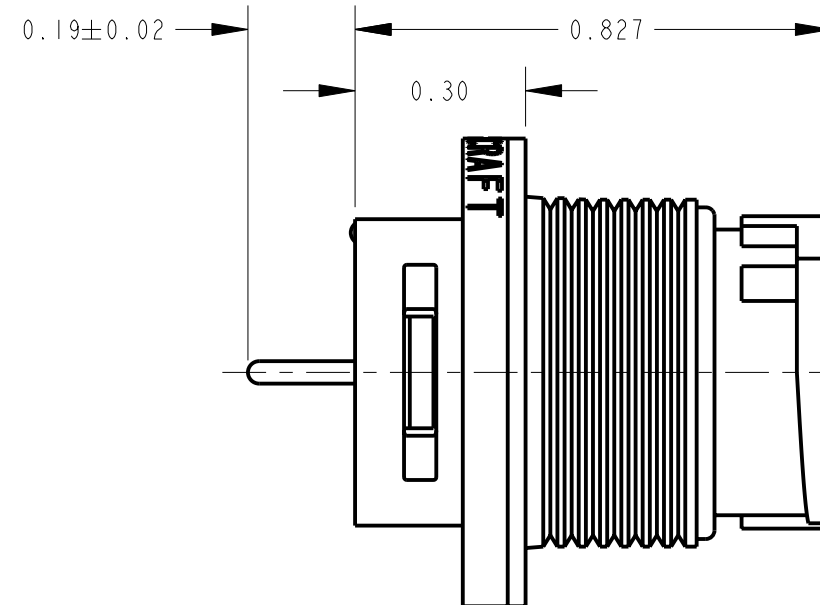
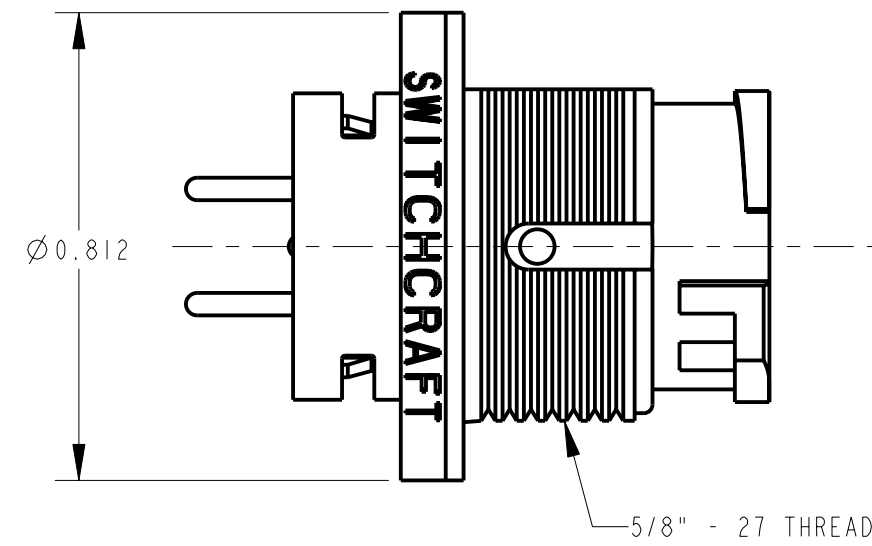
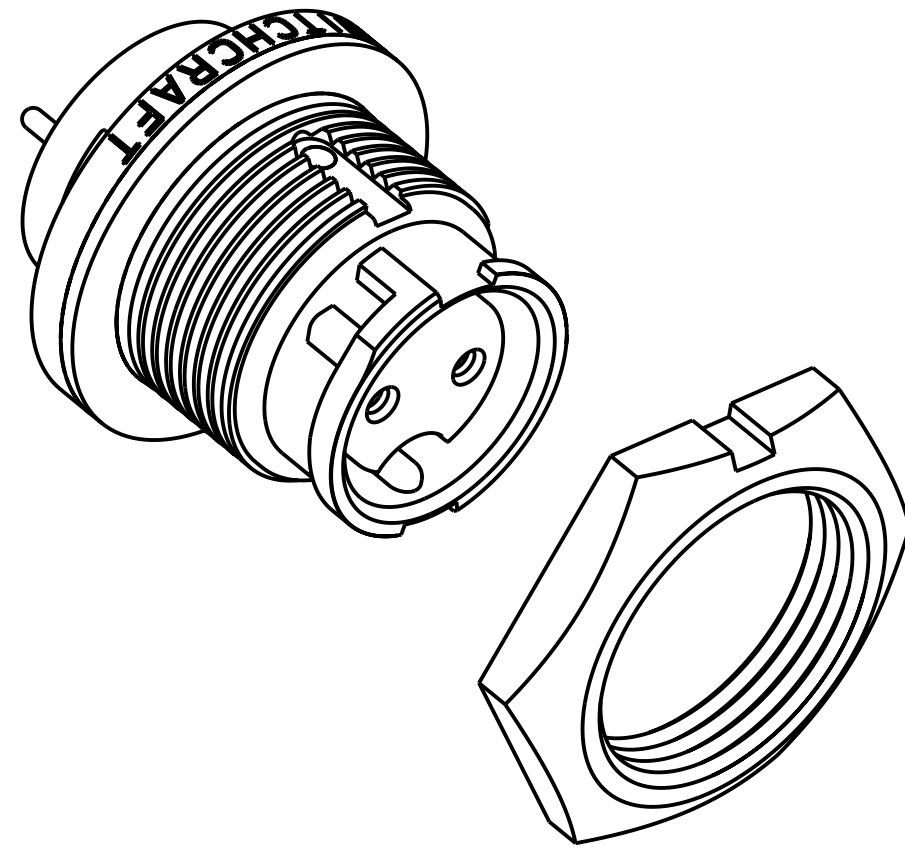


SWITCHCRAFT PANEL CONNECTOR ASSEMBLY INSTRUCTIONS



HOLE LAYOUTS VIEWED FROM FRONT OF CONNECTOR  
 RECOMMENDED HOLE SIZE: #20 CONTACT: .046" DIA.  
 #16 CONTACT: .055" DIA.



SPECIFICATIONS

**MECHANICAL:**  
 SHOCK: MIL-STD 202 METHOD 213B, COND. K.  
 VIBRATION: MIL-STD 202 METHOD 201  
 LIFE: 300 INSERTION/WITHDRAWAL CYCLES (MINIMUM)

**ELECTRICAL**  
 DIELECTRIC WITHSTANDING VOLTAGE: 1,000 VAC  
 INSULATION RESISTANCE: 100 MEGOHMS (MIN) AT 77°F  
 CONTACT RESISTANCE: 5.0 MILLOHMS MAX.  
 CURRENT RATING: 7.5 AMPS (#20 CONTACT)  
 13.0 AMPS (#16 CONTACT)

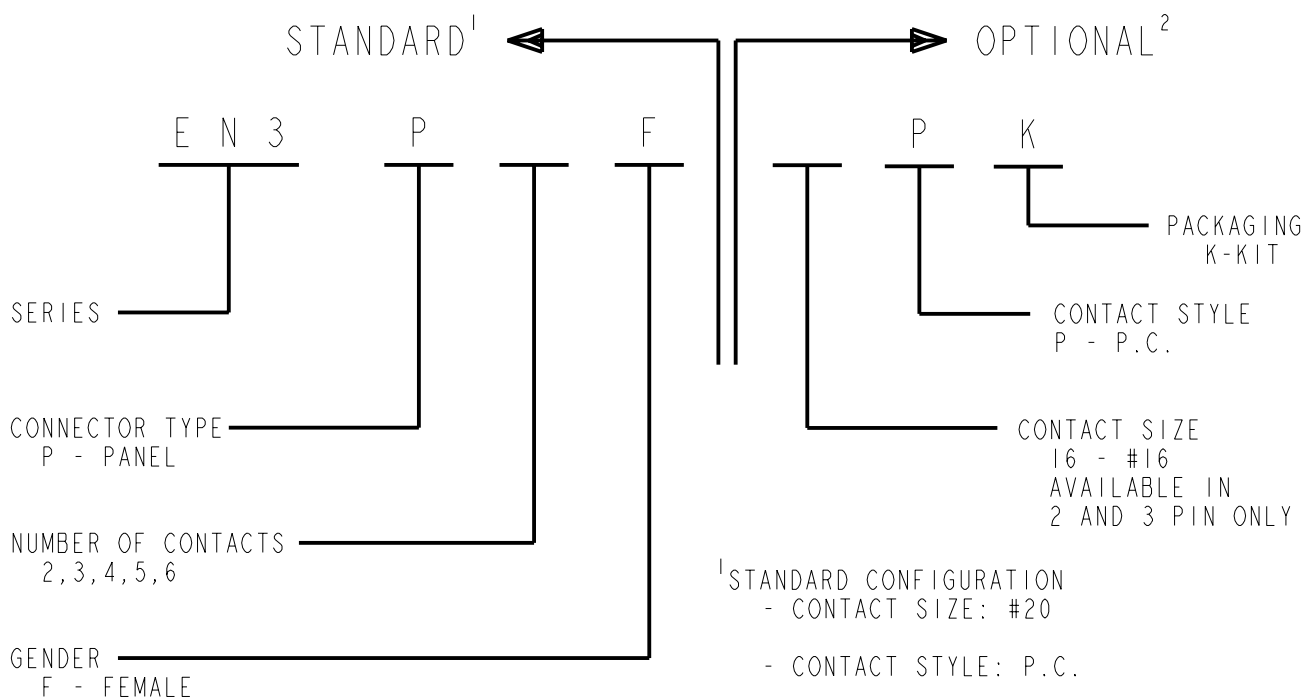
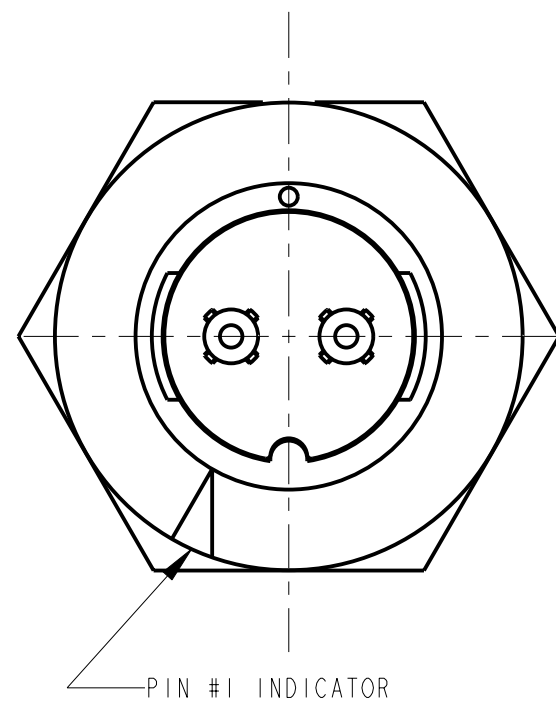
**ENVIRONMENTAL**  
 TEMPERATURE LIMITS: -40°C TO +65°C (NON-OPERATING)  
 MOISTURE RESISTANCE: MIL-STD 202 METHOD 106F  
 INSULATION RESISTANCE: MIL-STD 202 METHOD 302, COND. B  
 THERMAL SHOCK: MIL-STD 202 METHOD 107G  
 SALT SPRAY: MIL-STD 202 METHOD 101D, COND. B  
 WATER TIGHTNESS TEST: U.S. COAST GUARD CFR 46 PART 110.20

**MATERIALS:**  
 PANEL CONNECTOR SHELL, CONTACT LOCKING DISC:  
 THERMOPLASTIC POLYMER GLASS FIBER, FLAME RETARDANT

CONNECTOR SHELL INTERIOR:  
 THERMOPLASTIC RUBBER

CONTACTS: COPPER BASE ALLOY GOLD-PLATED  
 OVER NICKEL UNDERPLATE

HEX NUT: THERMOPLASTIC



<sup>1</sup>STANDARD CONFIGURATION  
 - CONTACT SIZE: #20  
 - CONTACT STYLE: P.C.  
 - CONTACTS FACTORY INSTALLED  
 - PACKAGED IN KIT

**NOTES:**  
 1. HEX NUT TORQUE:  
 8 TO 10 INCH-LBS. OF TORQUE  
 (MUST NOT EXCEED 10 INCH-LBS.)  
 2. HEX NUT SHIPPED UNASSEMBLED.

★ STAR SYMBOL DENOTES CRITICAL DIMENSION				THIS DRAWING DESCRIBES A DESIGN CONSIDERED PROPRIETARY IN NATURE, DEVELOPED AND MANUFACTURED BY SWITCHCRAFT INC. AND IS RELEASED ON A CONFIDENTIAL BASIS FOR IDENTIFICATION PURPOSES ONLY.				
UNLESS OTHERWISE SPECIFIED				SIZE	WIDTH	MULT	LBS/M	TEMPER
1. ALL DIMENSIONS IN INCHES - TWO PLACE DECIMALS ±0.01 - THREE PLACE DECIMALS ±0.005 - ANGLES ±1° - ALL DIA. CONCENTRIC WITHIN 0.005 T.I.R.				FINISH		MATERIAL SPEC No.		
2. FEATURES ON THE SAME CENTERLINE MUST BE ALIGNED WITHIN ±0.002				FIRST USED ON		SCALE 3:1		
3. REMOVE ALL BURRS				DATE DRAWN	BY	CHKD	APVD	<b>Switchcraft</b> <sup>®</sup>
DO NOT SCALE DRAWING				3-8-96	CCB	3-8-96	FL	
REVISIONS				NAME		PART No.		REV
				FEMALE PANEL CONNECTOR		EN3P_F_PK		D